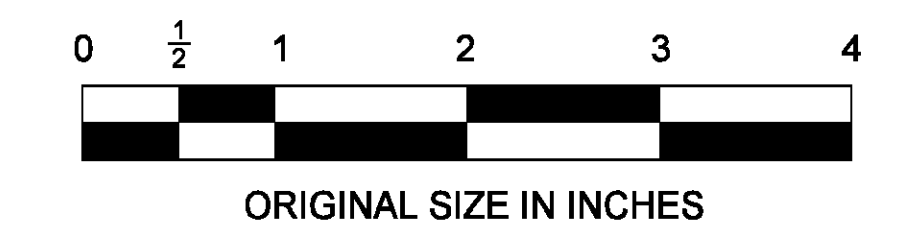
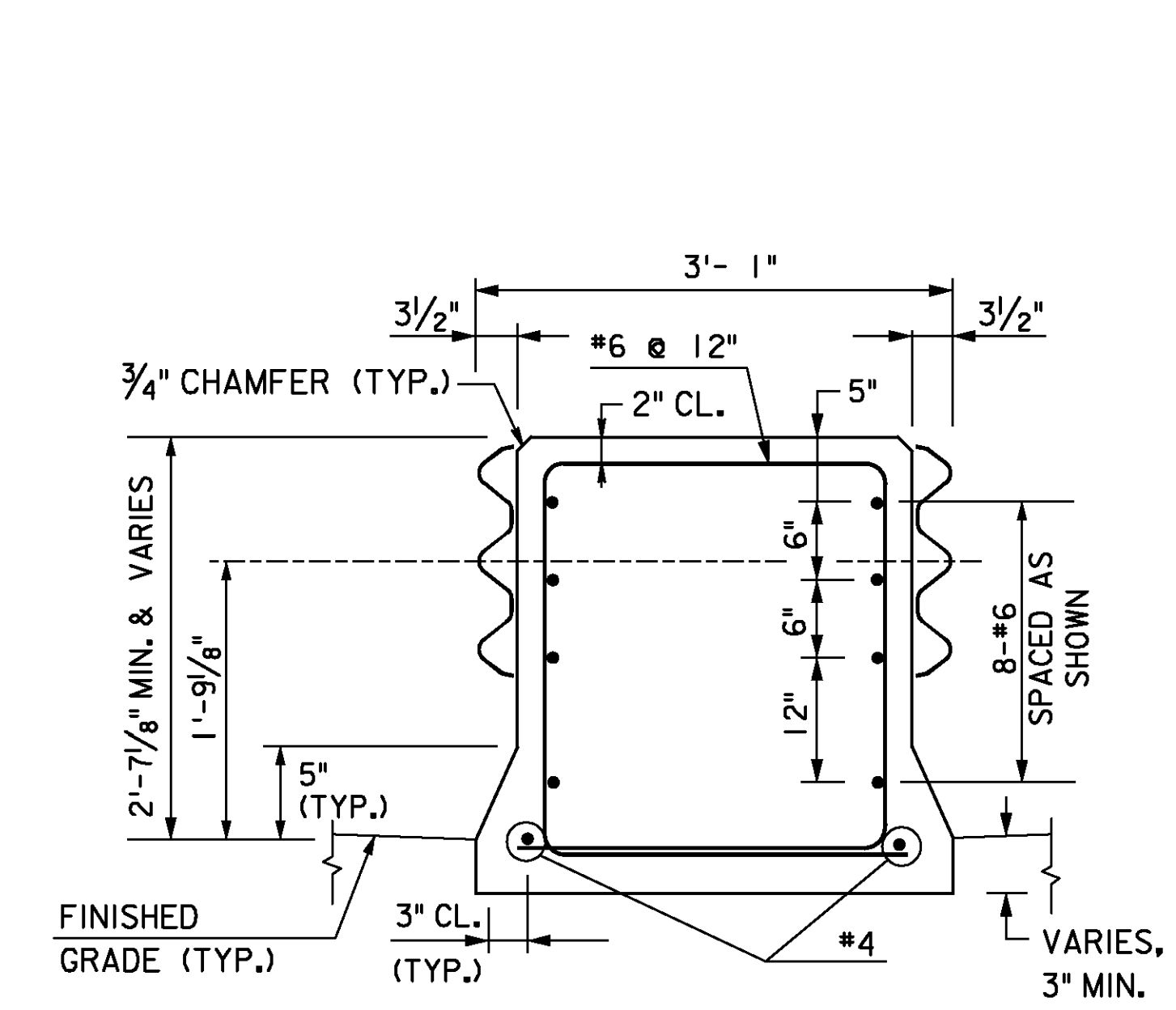
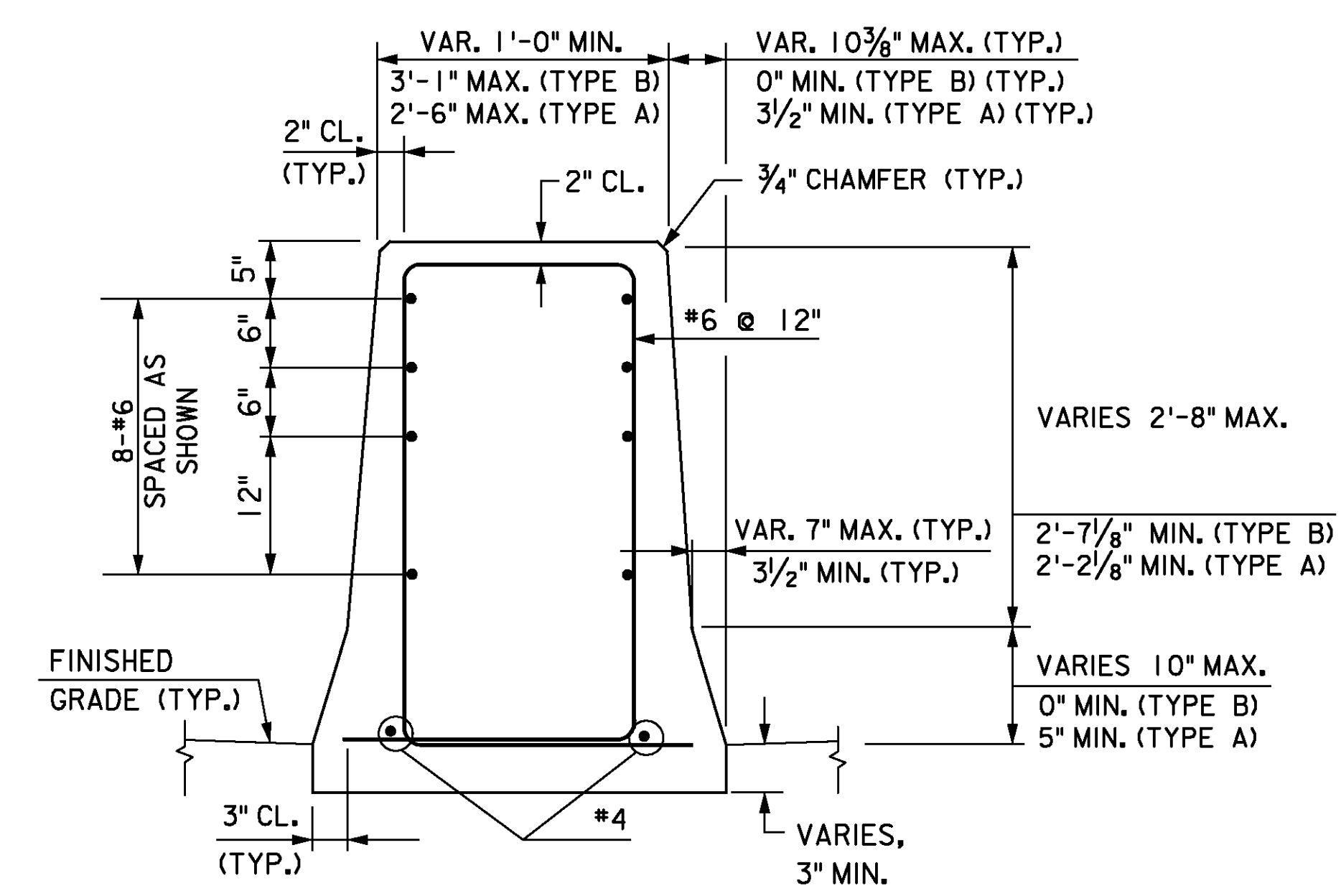
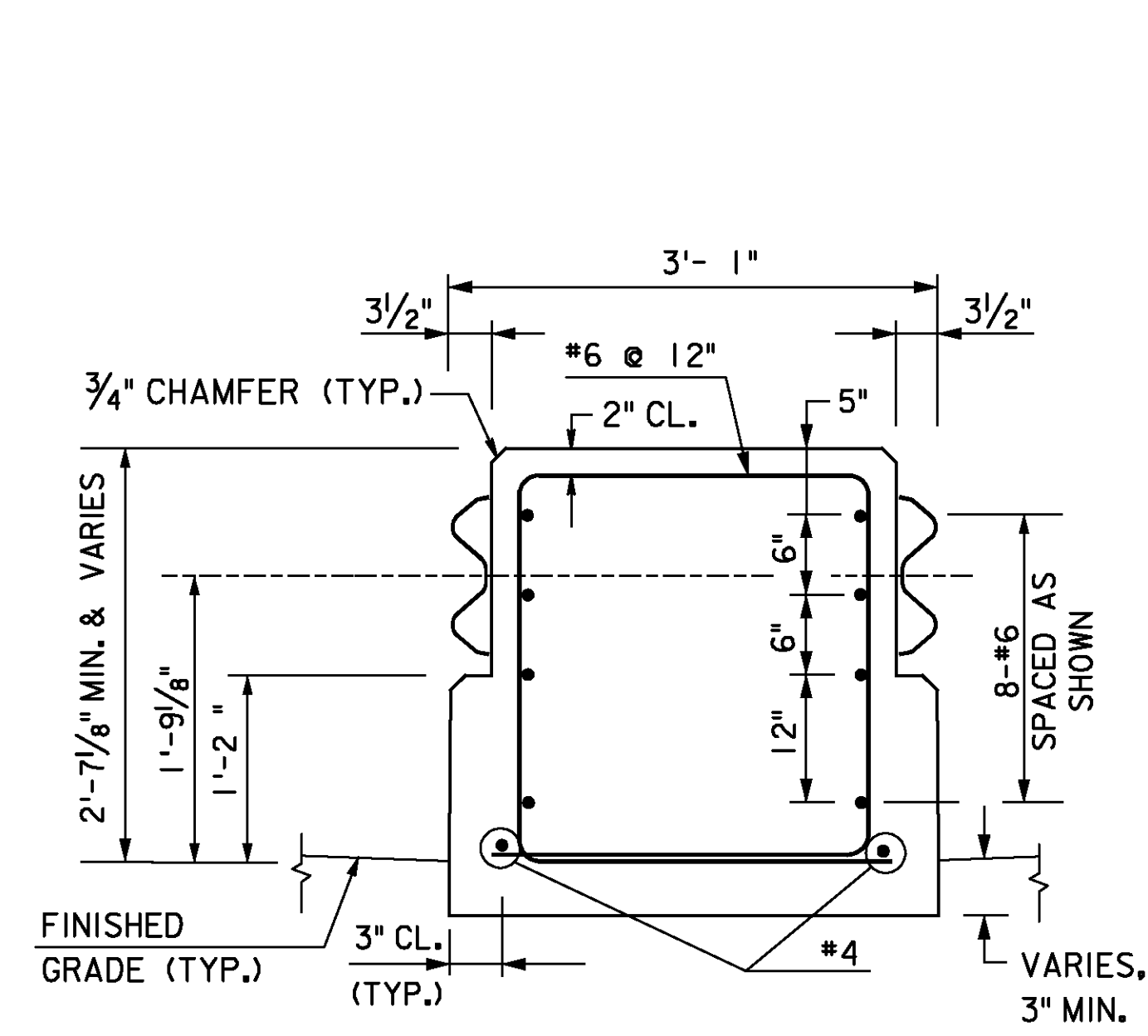


- NOTES:**
- FOR REHABILITATION PROJECTS, IF CONCRETE ANCHORS ARE USED IN LIEU OF ANCHOR BOLTS, THEY SHALL BE POLYESTER RESIN BONDED STAINLESS STEEL ANCHORS. DEPTH OF DRILLED HOLES FOR CONCRETE ANCHORS SHALL BE AS PER MANUFACTURER OF POLYESTER RESIN.
 - SEE STANDARD DRAWING GR-11 FOR ADDITIONAL NOTES AND INFORMATION PERTAINING TO THE BEAM GUIDE RAIL ATTACHMENT.
 - GARDEN STATE PARKWAY ELEMENTS AND POSTS ARE TO BE WEATHERING STEEL AND HOT DIP GALVANIZED 6" MIN. ABOVE FINISHED GRADE. REFER TO THE STANDARD SPECIFICATIONS.
 - SEE STANDARD DRAWING GR-13 FOR W-BEAM AND THRIE BEAM TERMINAL CONNECTOR BOLT HOLE DIMENSIONS AND BOLT PATTERN.
 - SEE MB-1 FOR ADDITIONAL NOTES AND INFORMATION PERTAINING TO THE CONCRETE MEDIAN BARRIER.
 - HORIZONTAL TRANSITION FROM BEAM GUIDE RAIL, DUAL FACE, TO PARAPET CONNECTION, TYPE A SHOWN. TRANSITION FROM TYPE B CONNECTION TO DUAL FACE BEAM GUIDE RAIL SHALL BE SIMILAR.



GUIDE RAIL CONNECTION TO CONCRETE MEDIAN BARRIER, ROADWAY
N.T.S.

1	11/11	REISSUED DRAWING
	04/09	ORIGINAL DRAWING
App. No.	DATE	REVISION

NEW JERSEY TURNPIKE AUTHORITY

BEAM GUIDE RAIL ATTACHMENTS - 3

OFFICE OF THE CHIEF ENGINEER 2009 STANDARD DRAWING GR-12