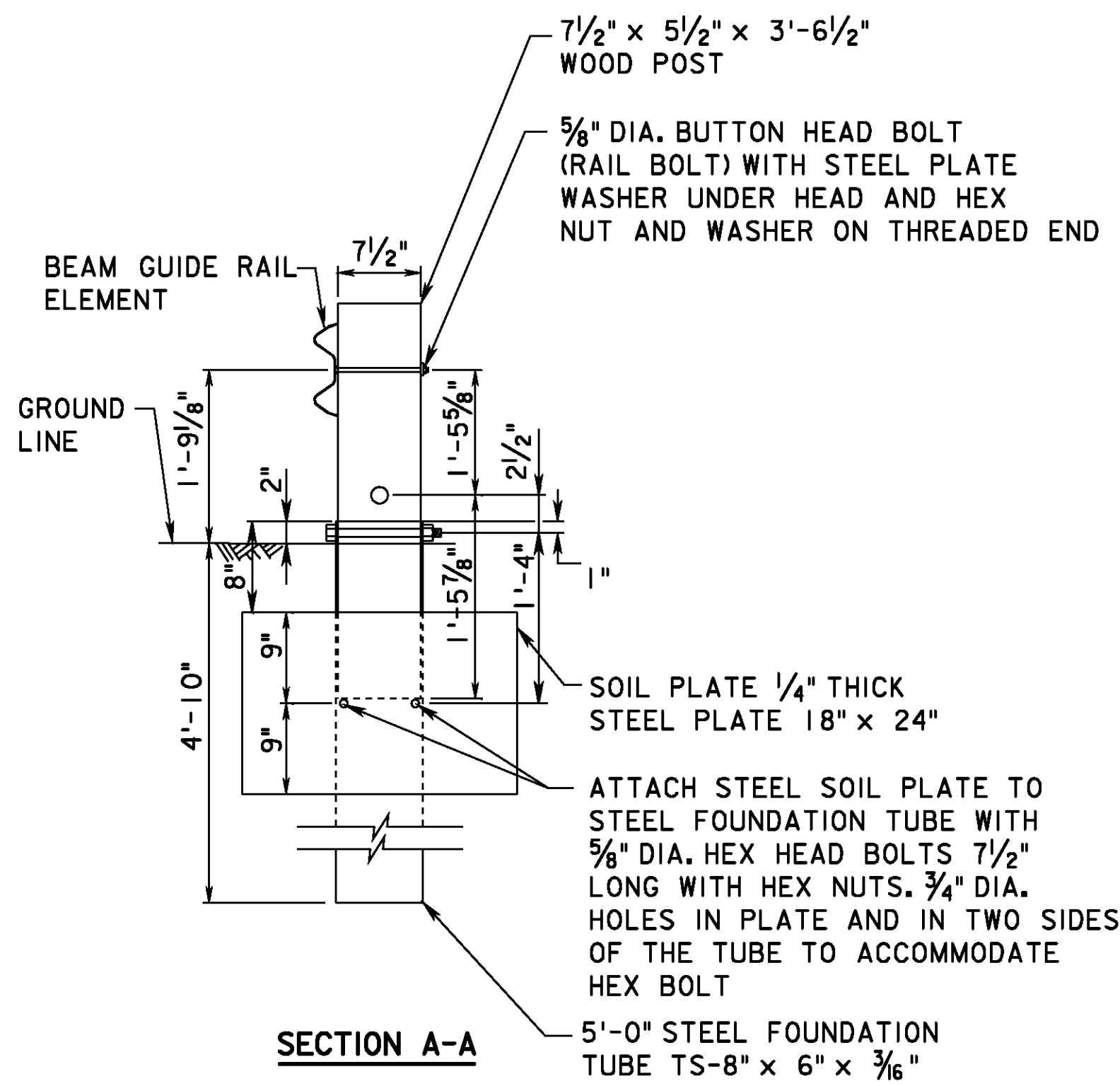
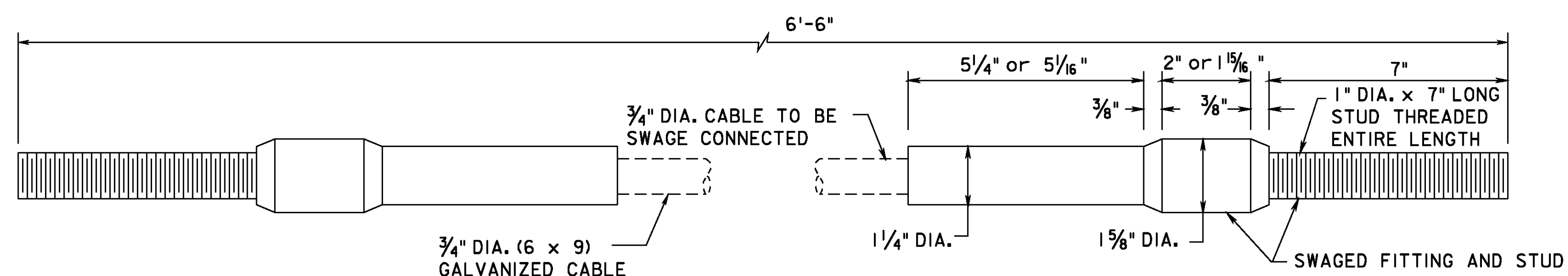


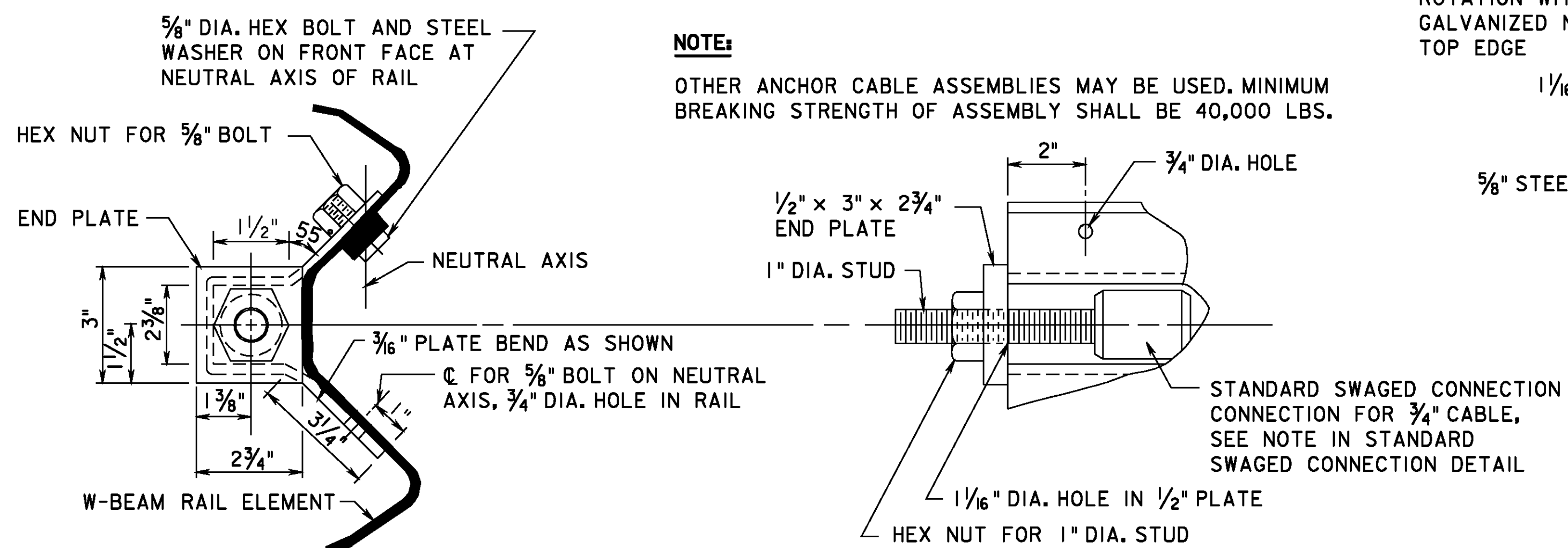
ELEVATION



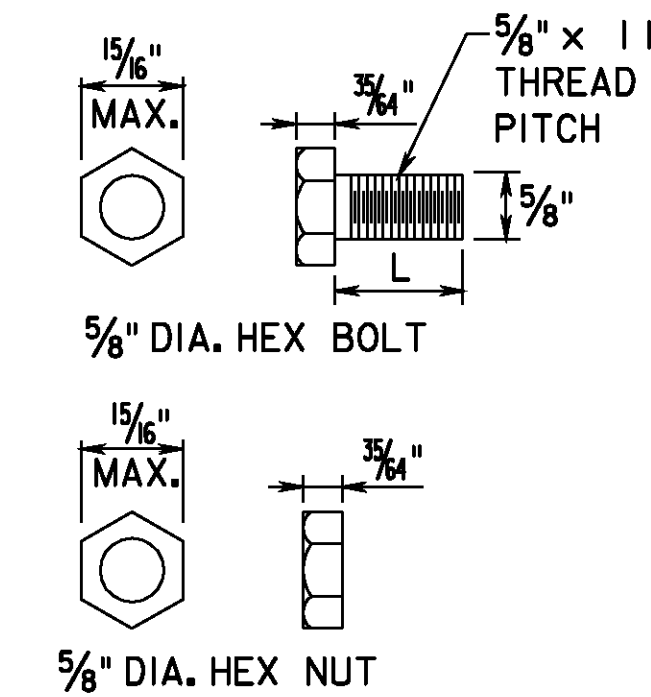
BEAM GUIDE RAIL END ANCHORAGE



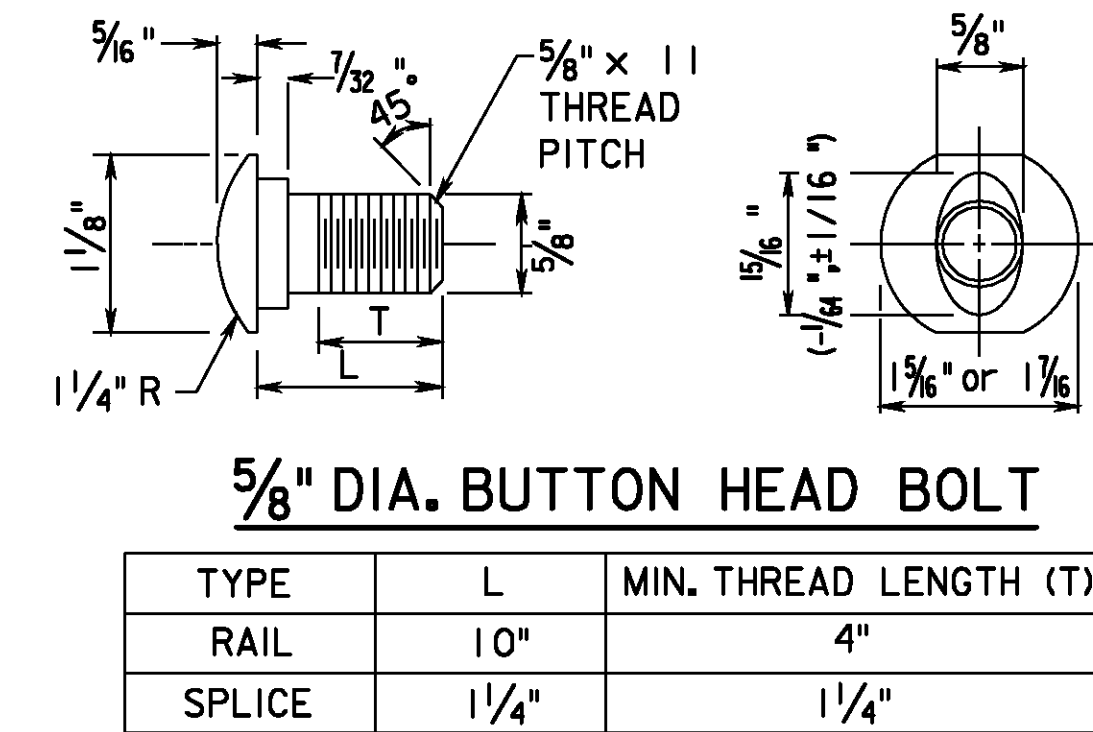
CABLE ASSEMBLY



ANCHOR PLATE

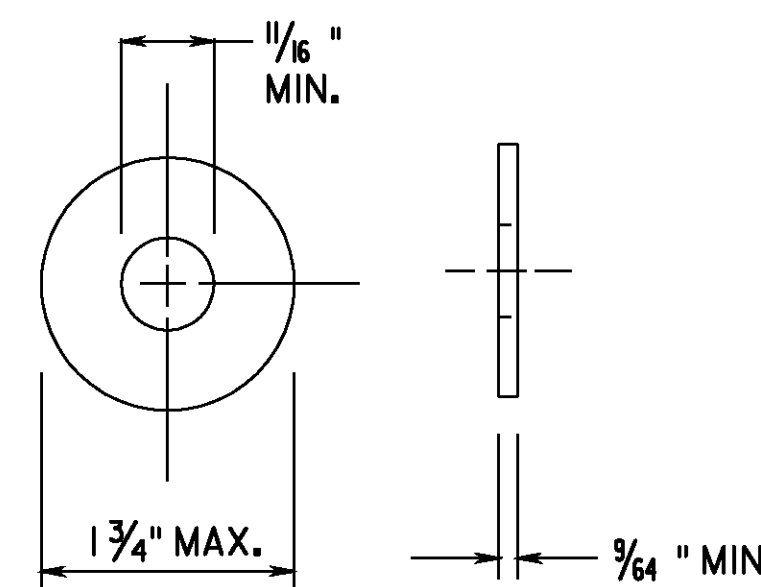


NUT & BOLT

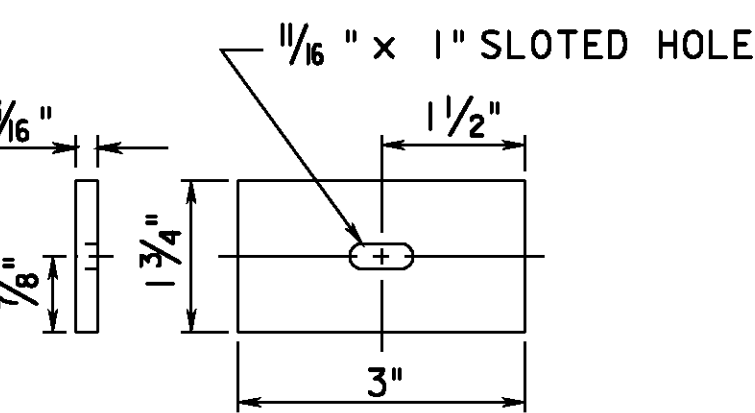
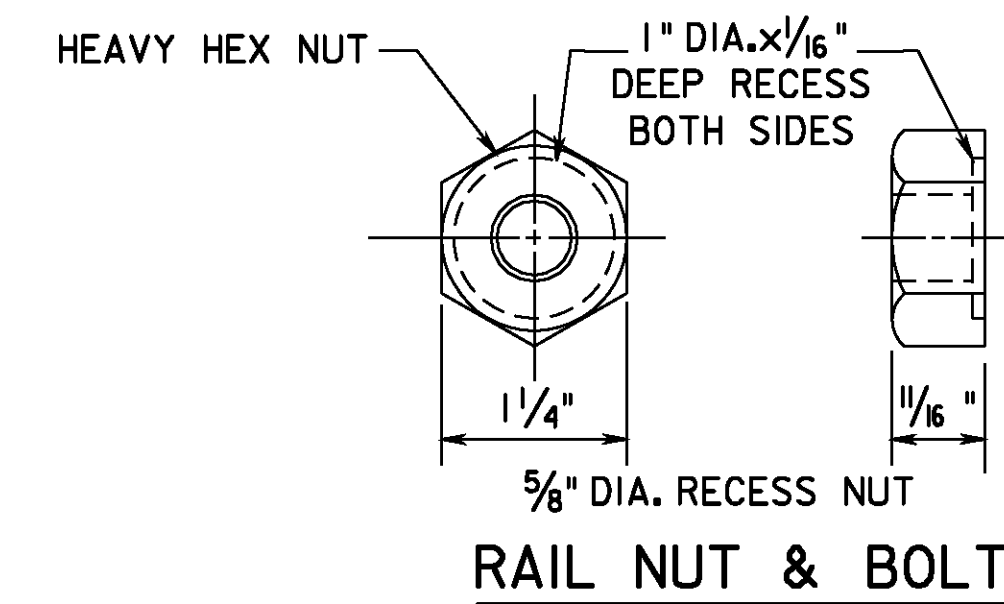


5/8" DIA. BUTTON HEAD BOLT

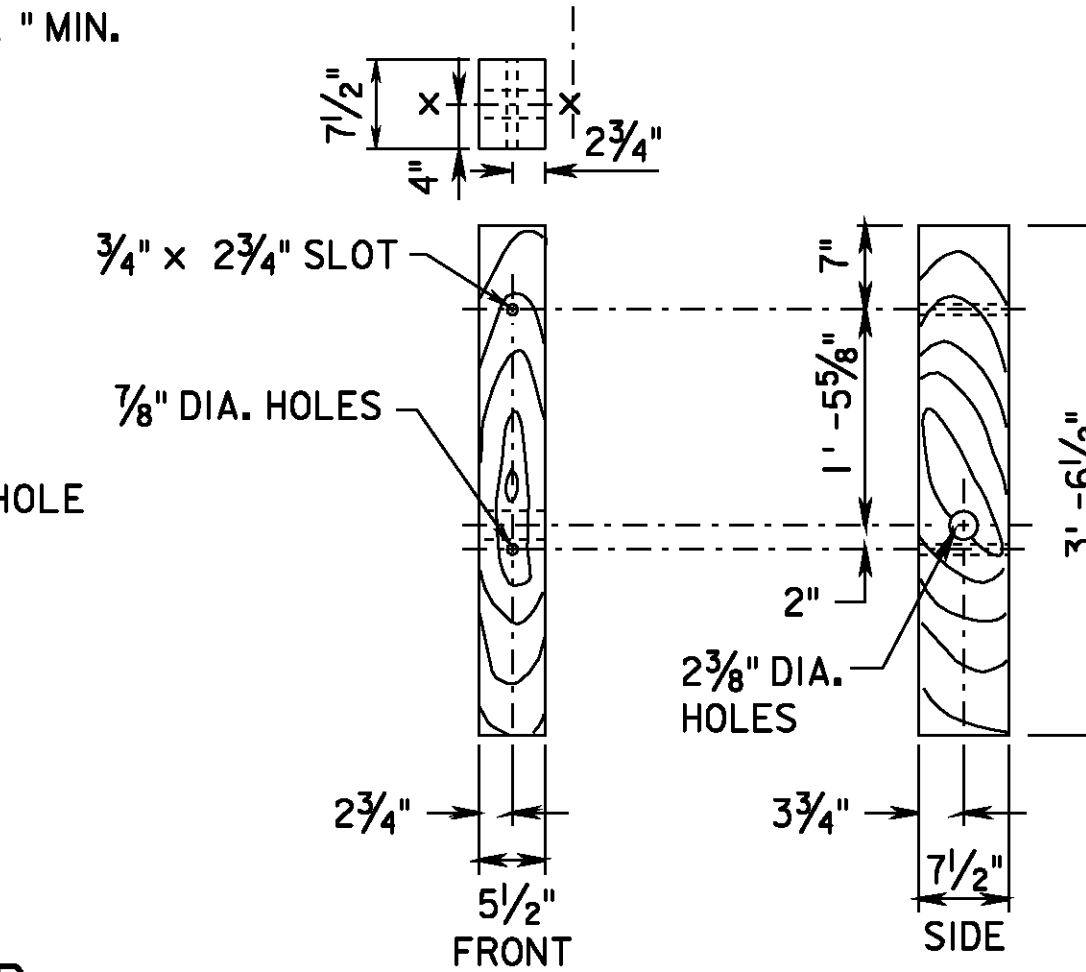
TYPE	L	MIN. THREAD LENGTH (T)
RAIL	10"	4"
SPLICE	1 1/4"	1 1/4"



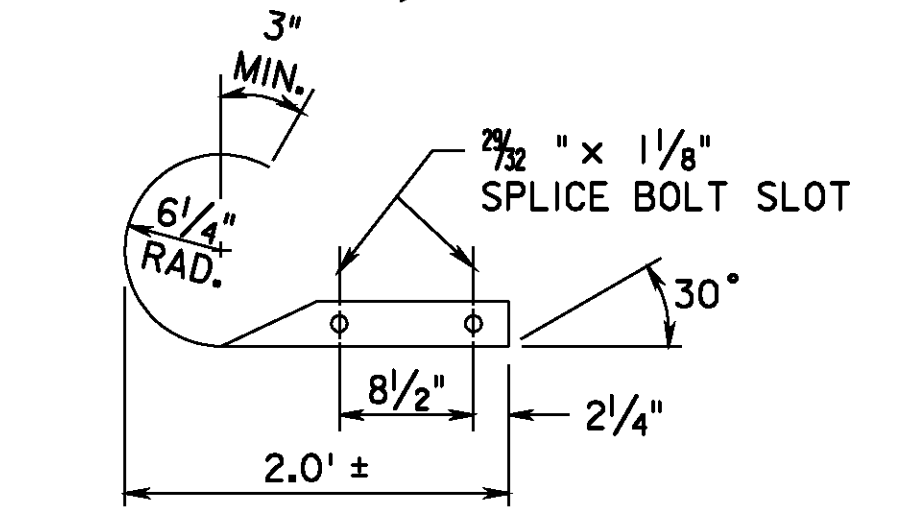
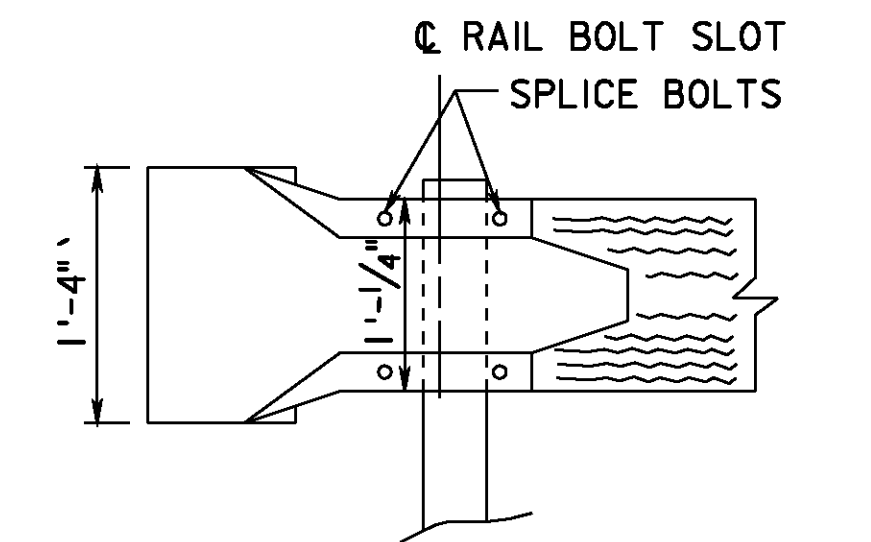
STEEL WASHER



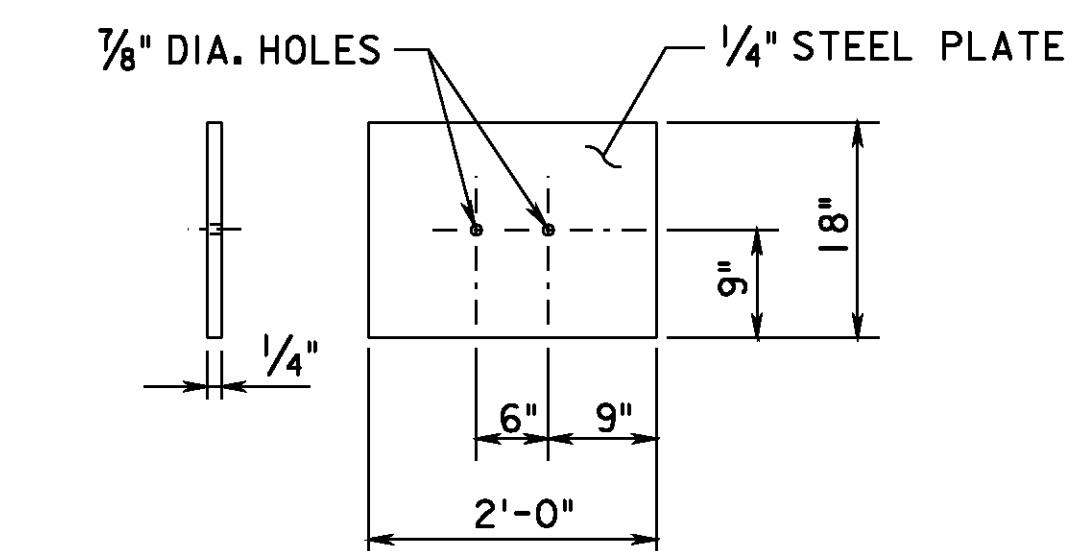
STEEL PLATE WASHER



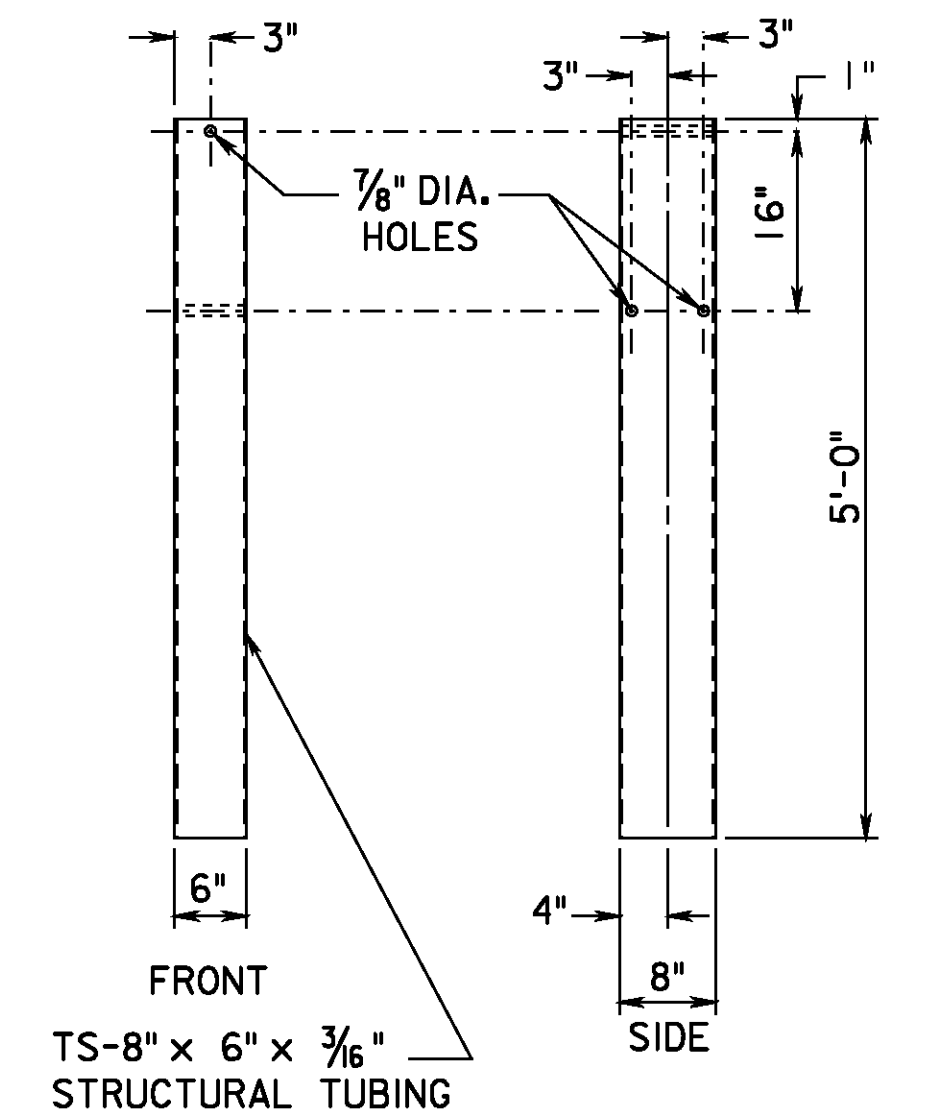
WOOD POST



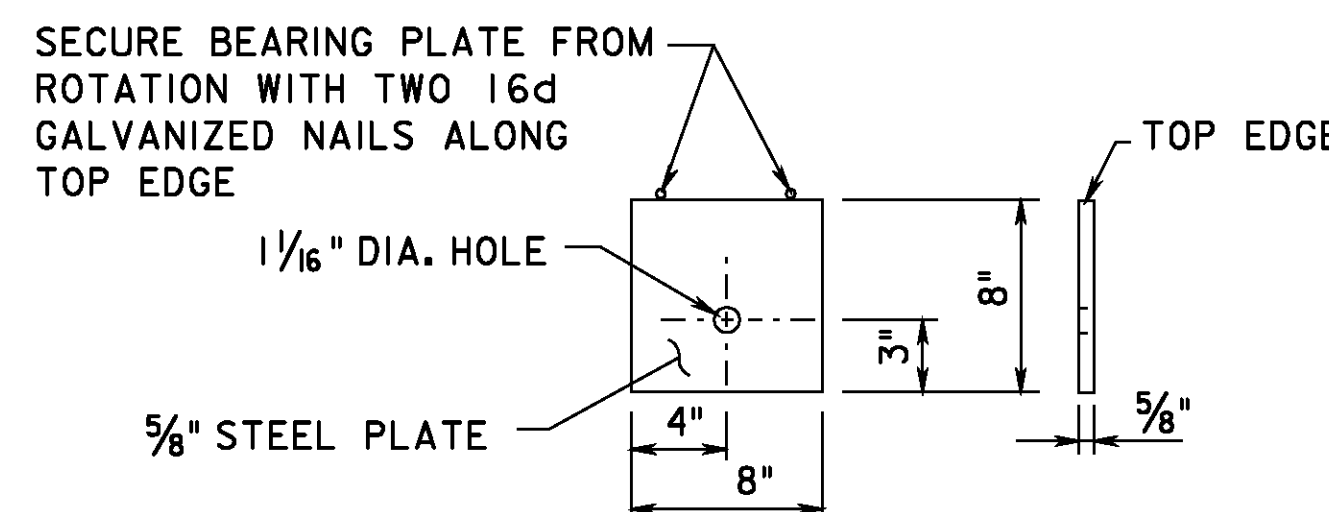
END SECTION (ROUNDED)



SOIL PLATE



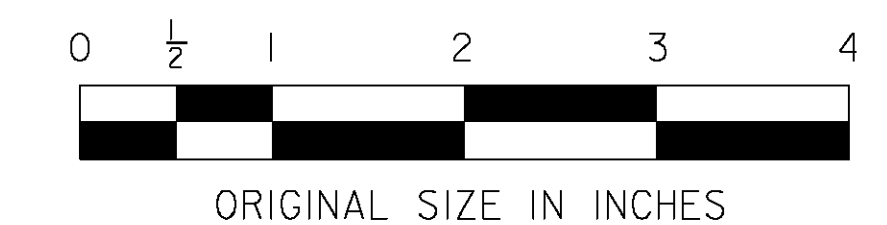
STEEL FOUNDATION TUBE



BEARING PLATE

NOTES:

- PAYMENT FOR ITEM BEAM GUIDE RAIL ANCHORAGE SHALL INCLUDE THE ANCHOR PLATE, CABLE ASSEMBLY, WOOD POST, FOUNDATION TUBE AND SOIL PLATE.
- GARDEN STATE PARKWAY ELEMENTS AND POSTS ARE TO BE WEATHERING STEEL AND HOT DIP GALVANIZED 6" MIN. ABOVE PROPOSED GROUND LINE. REFER TO STANDARD SPECIFICATIONS.



NEW JERSEY TURNPIKE AUTHORITY

BEAM GUIDE RAIL ANCHORAGE

OFFICE OF THE CHIEF ENGINEER

2009 STANDARD
DRAWING GR-4

App.	No.	DATE	REVISION
		04/09	ORIGINAL DRAWING

CONTRACT NO.

SHEET NO.

OF