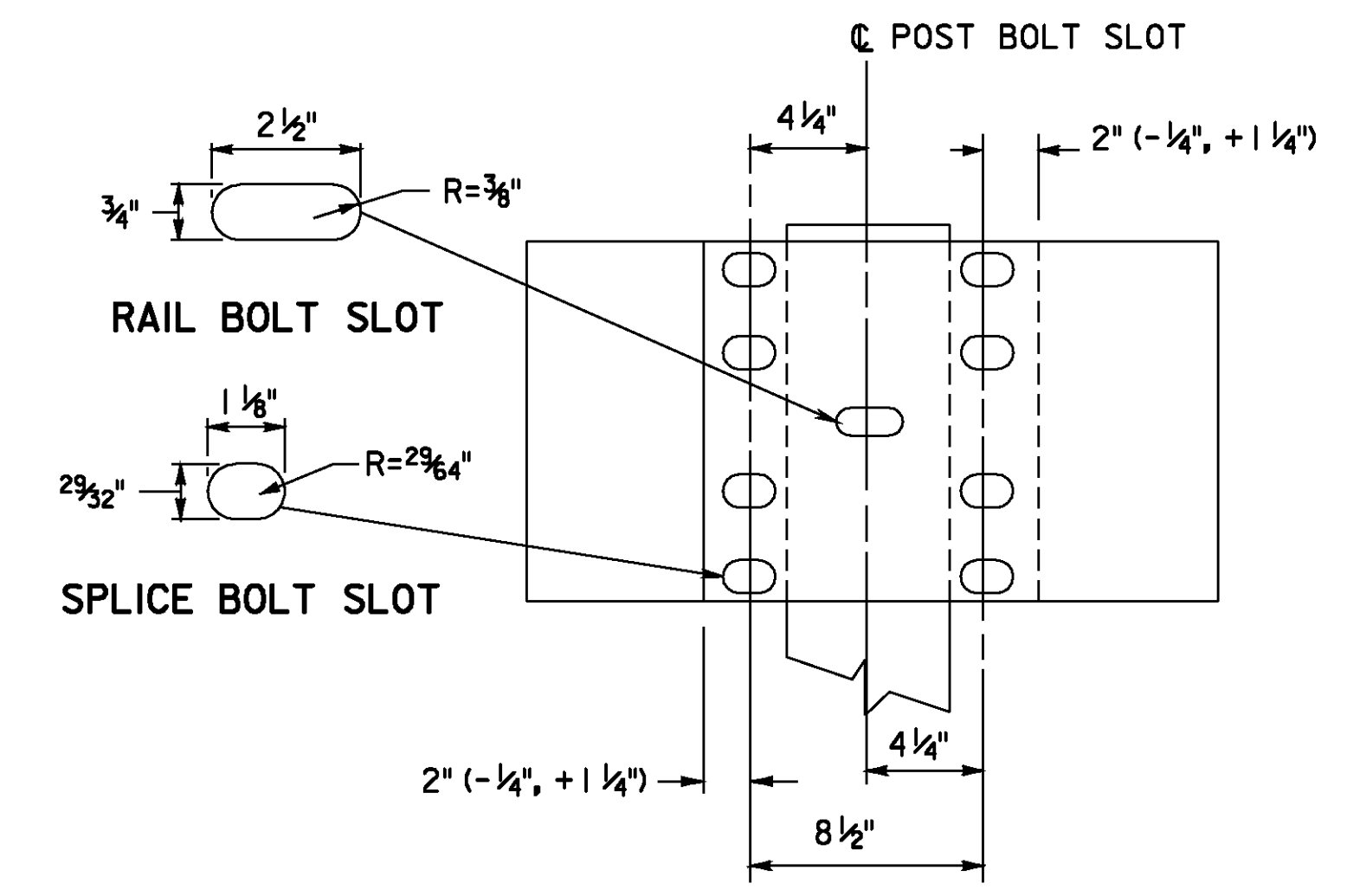
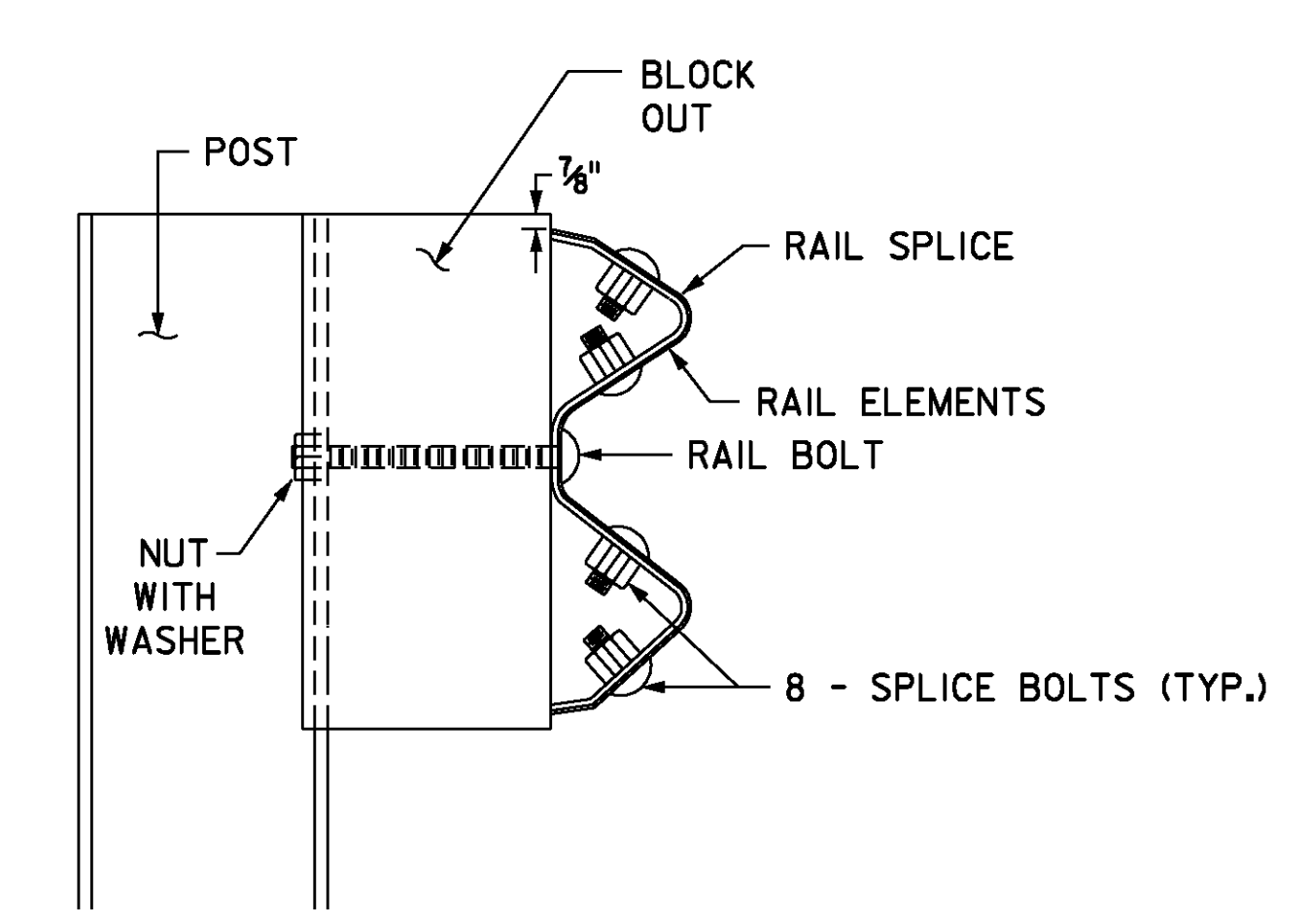


RAIL ELEMENT SHALL BE SUPPLIED IN LENGTHS OF 13'- 6 1/2" OR 26'- 1/2"

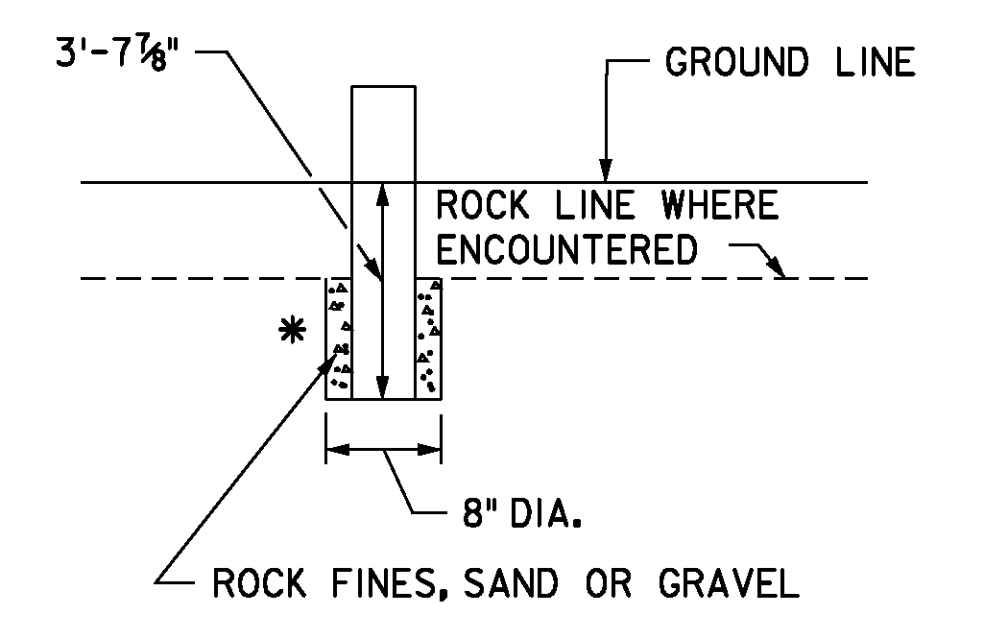
W-BEAM RAIL ELEMENT



RAIL SPLICE

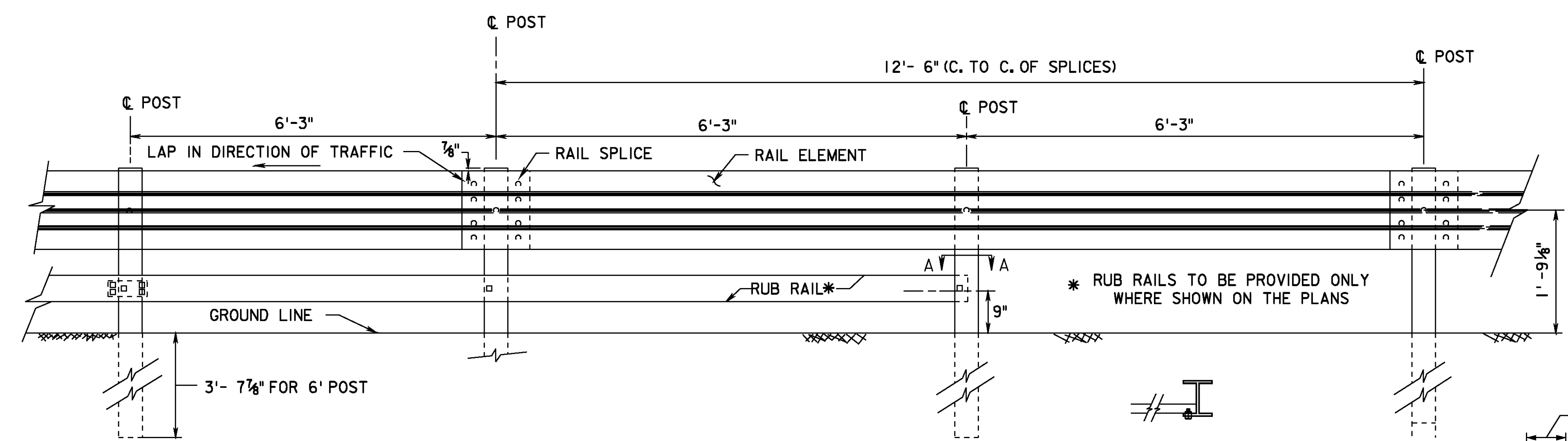


BEAM GUIDE RAIL POST ASSEMBLY



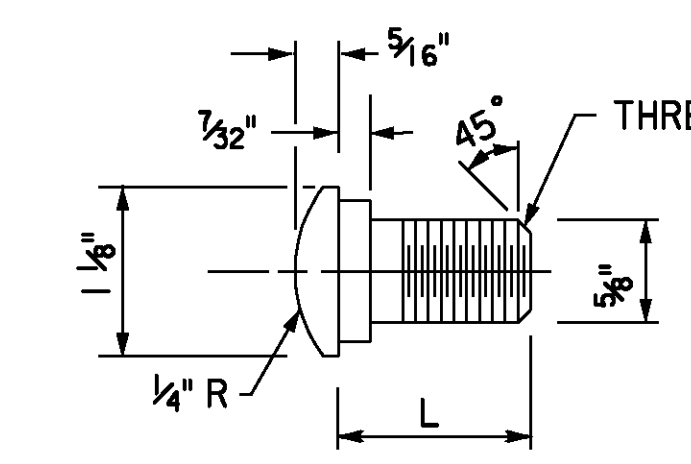
* ALTERNATE CONSTRUCTION METHOD: PLACE POST IN 8" DIA. HOLE AND BACKFILL WITH CLASS "B" CONCRETE

GUIDE RAIL POST INSTALLATION IN ROCK



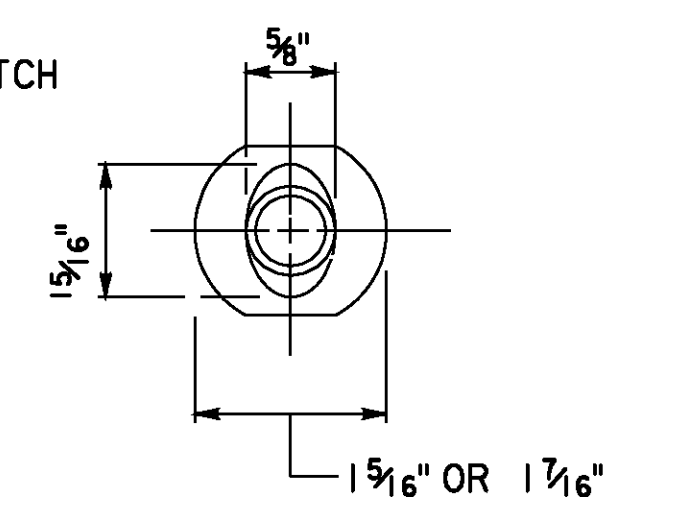
BEAM GUIDE RAIL

SECTION A-A

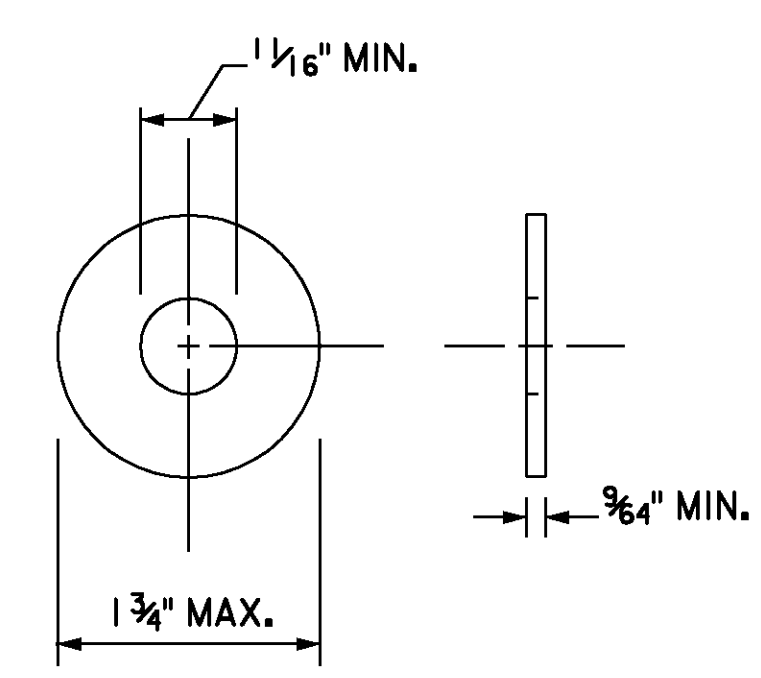


5/8" DIA. BUTTON HEAD BOLT

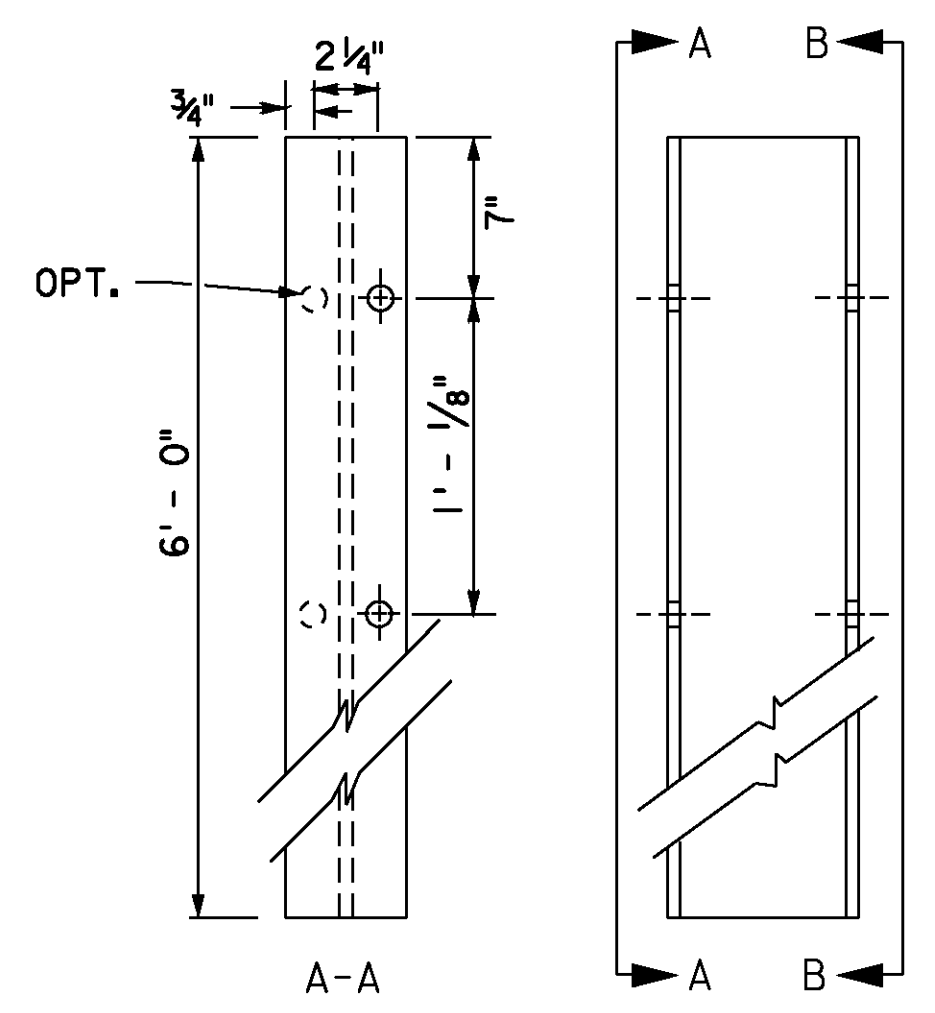
TYPE	L	MIN. THREAD LENGTH
SPLICE	1 1/4"	FULL LENGTH THREAD
RAIL	9 1/2"	1 3/4"



5/8" DIA. RECESS NUT SPLICE & RAIL NUT & BOLT



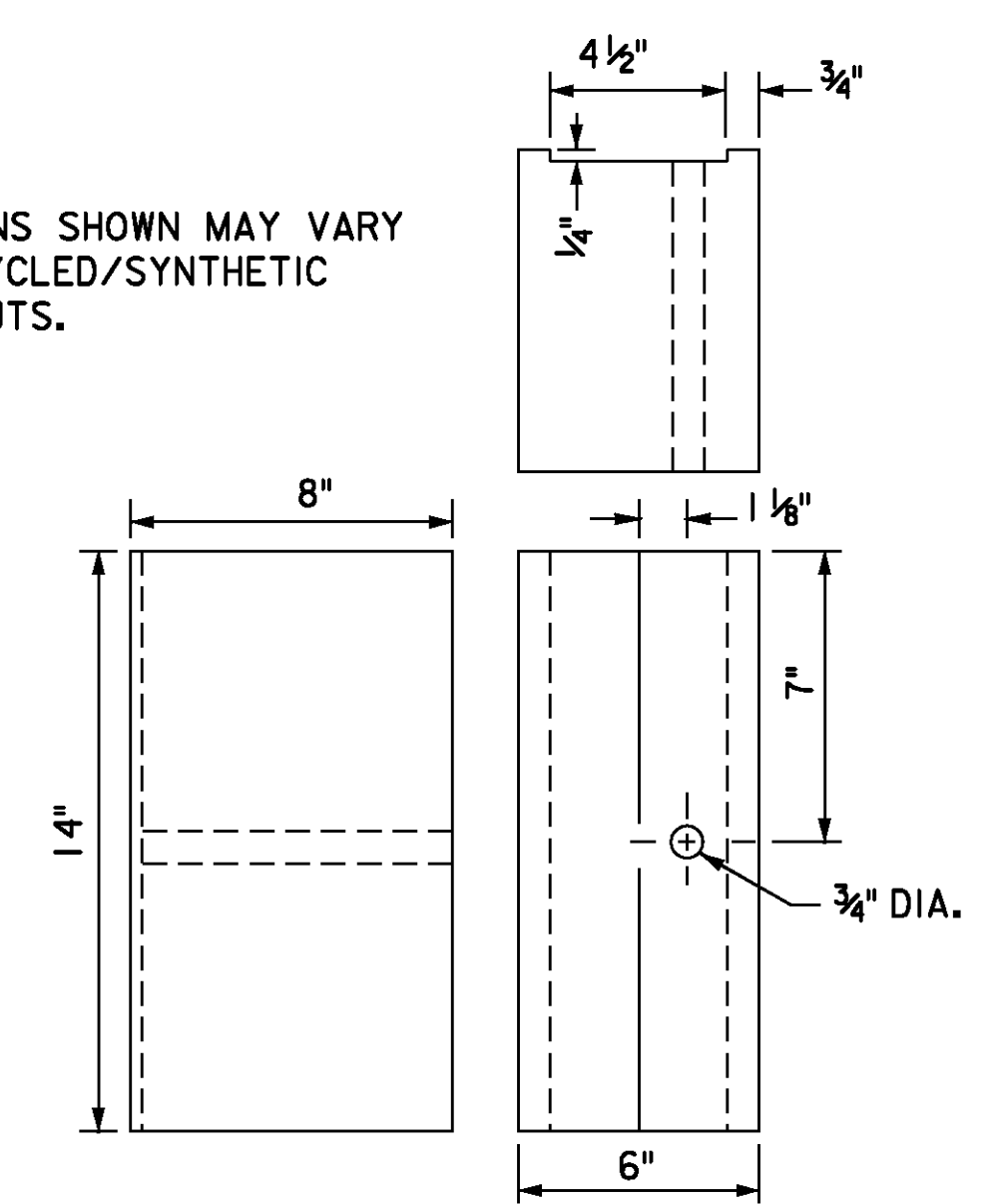
STEEL WASHER



6" x 4" Steel I, 8.5* or 9* per FOOT

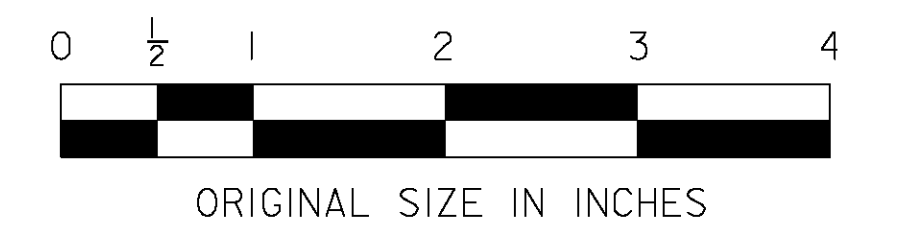
6' POST

NOTE:
DIMENSIONS SHOWN MAY VARY FOR RECYCLED/SYNTHETIC BLOCK OUTS.



APPROVED RECYCLED/SYNTHETIC MATERIALS
14" BLOCK OUT

- NOTES:**
- ALL DIMENSIONS ARE SUBJECT TO MANUFACTURING TOLERANCES.
 - RAIL ELEMENTS SHALL BE FURNISHED SHOPCURVED, CONCAVE OR CONVEX, FOR RADII BETWEEN 20 AND 150 FEET.
 - THE STEEL FOR RAIL ELEMENTS AND BOLTS SHALL CONFORM TO NEW JERSEY TURNPIKE AUTHORITY (NJTA) STANDARD SPECIFICATIONS AND ITS AMENDMENTS.
 - GARDEN STATE PARKWAY ELEMENTS AND POSTS ARE TO BE WEATHERING STEEL AND HOT DIP GALVANIZED 6" MIN. ABOVE PROPOSED GROUND LINE. REFER TO STANDARD SPECIFICATIONS.



NEW JERSEY TURNPIKE AUTHORITY	
BEAM GUIDE RAIL	
OFFICE OF THE CHIEF ENGINEER	2009 STANDARD DRAWING
	GR-1

App. No.	DATE	REVISION
	04/09	ORIGINAL DRAWING

CONTRACT NO.

SHEET NO.

OF