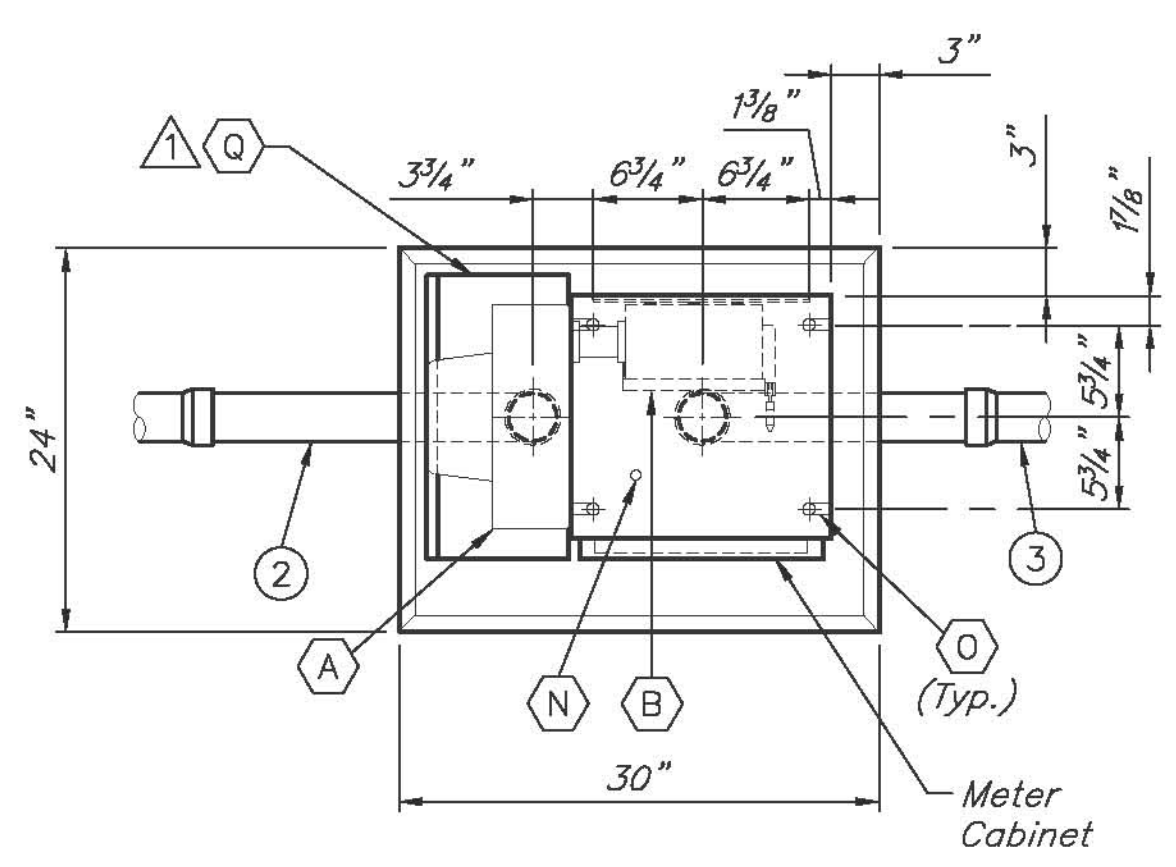


ELEVATION
Scale: 1" = 1'-0"



PLAN
Scale: 1" = 1'-0"

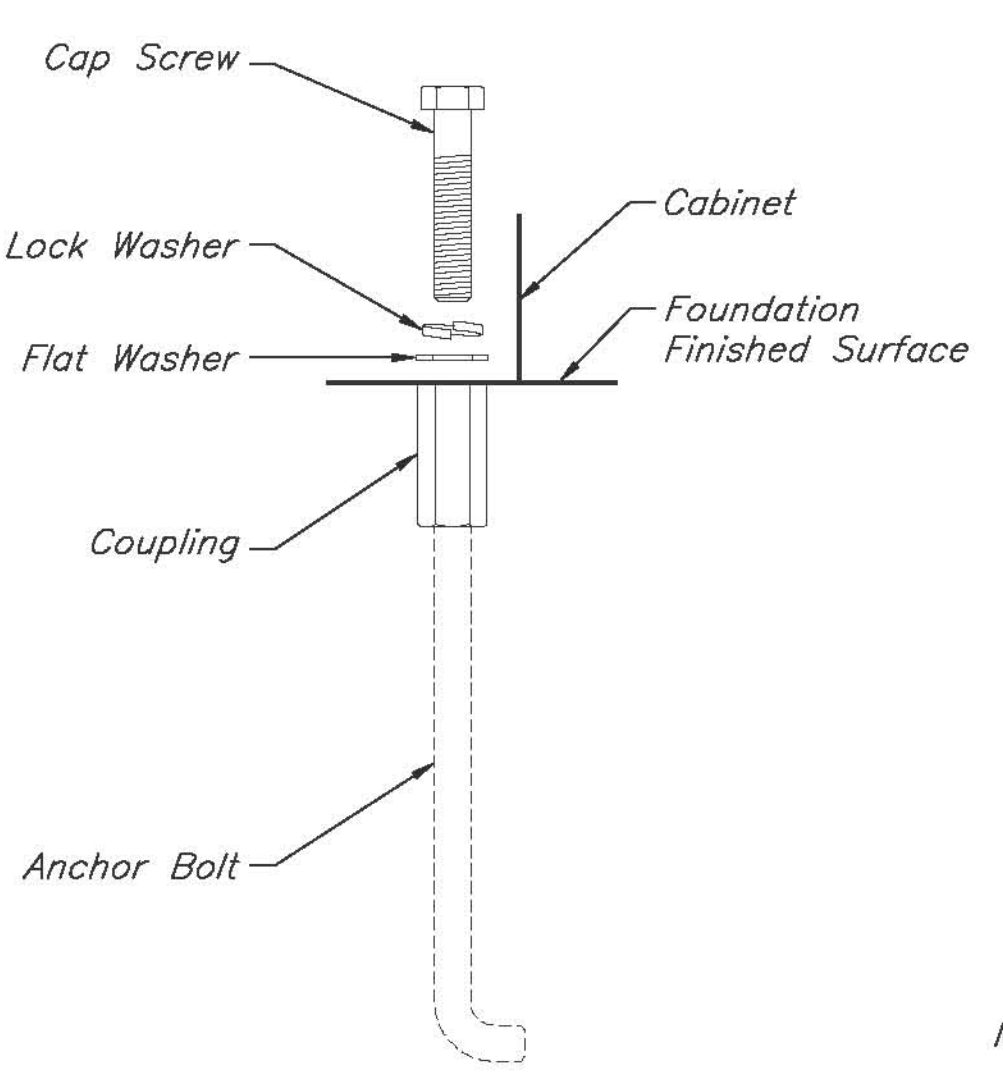
NJTA METER CABINET TYPE F AND FOUNDATION

Note:
Nameplate mounted on the cabinet door shall have information as:
Meter Cabinet
480V, 3-phase
NJ Turnpike
Emergency Contact: TP operations 800-352-4848
Meter Cabinet Name: (i.e. "Local Road Name" Meter Cabinet or "Milepost" Meter Cabinet, if not close to local road)

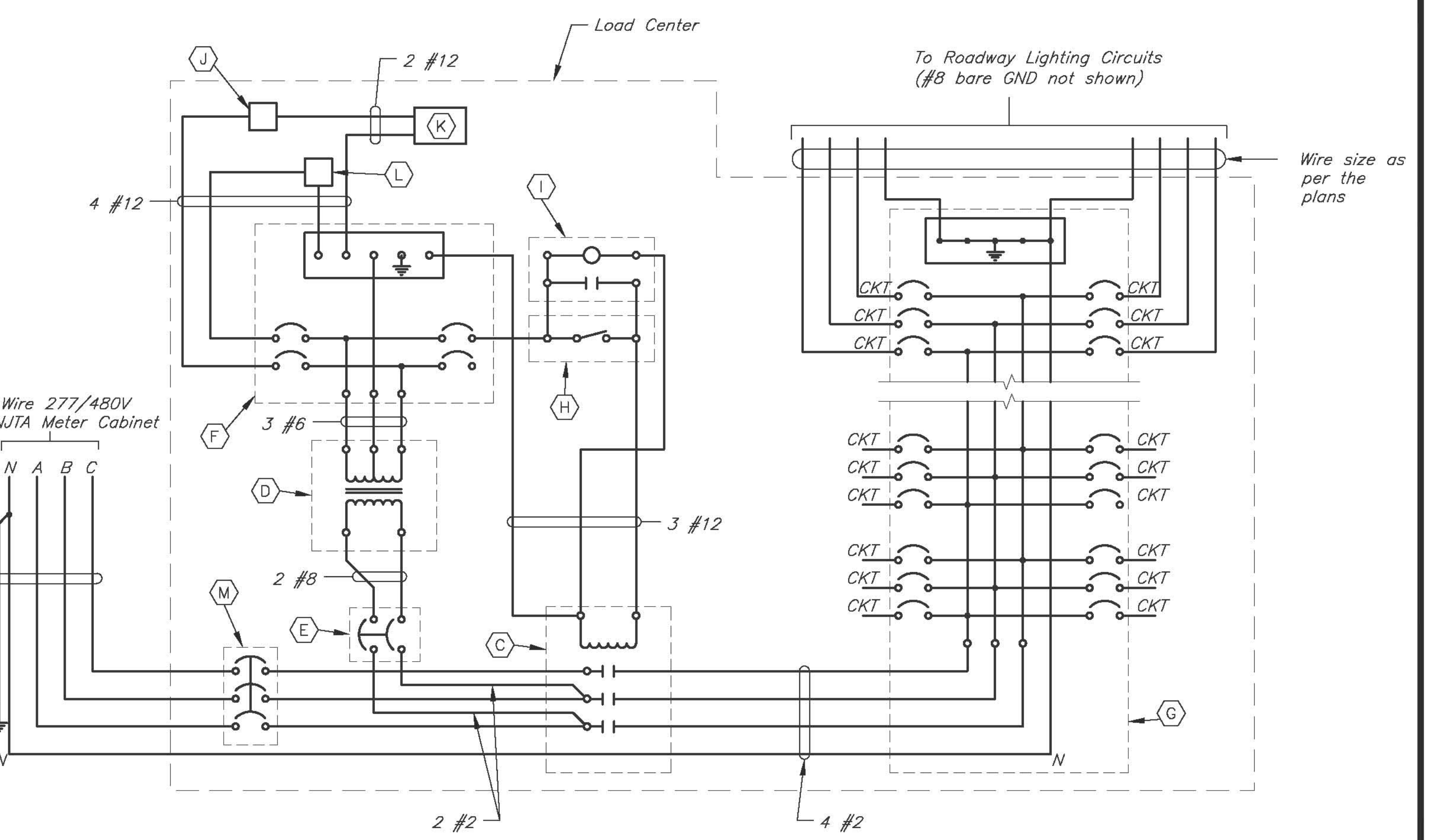
Install Labels on MCB Enclosure (See Note 12, E-32)

1 Meter Disconnect. Dimensions are for 200A Switch Only (See Note 16 on E-32)

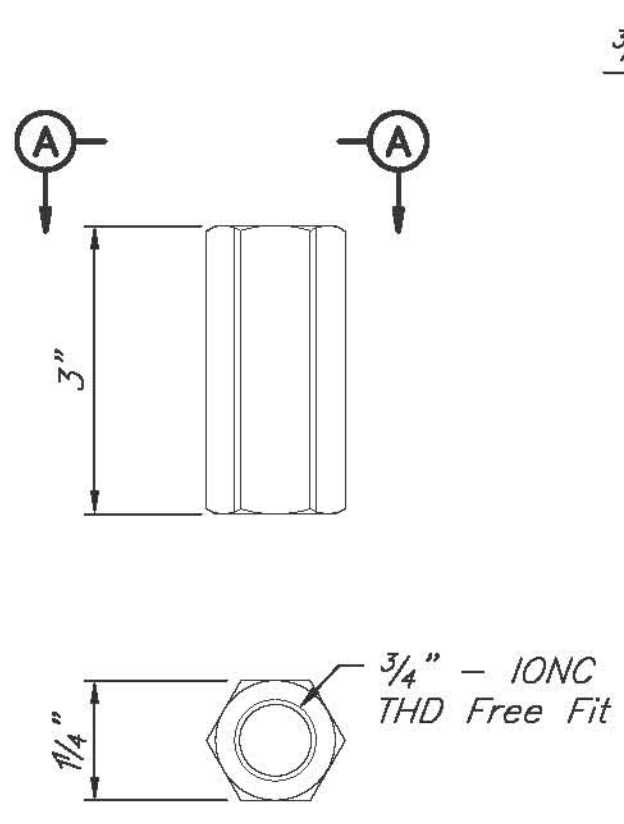
1 Conduit Coupling Flush with Top of Foundation
Class B Concrete Foundation



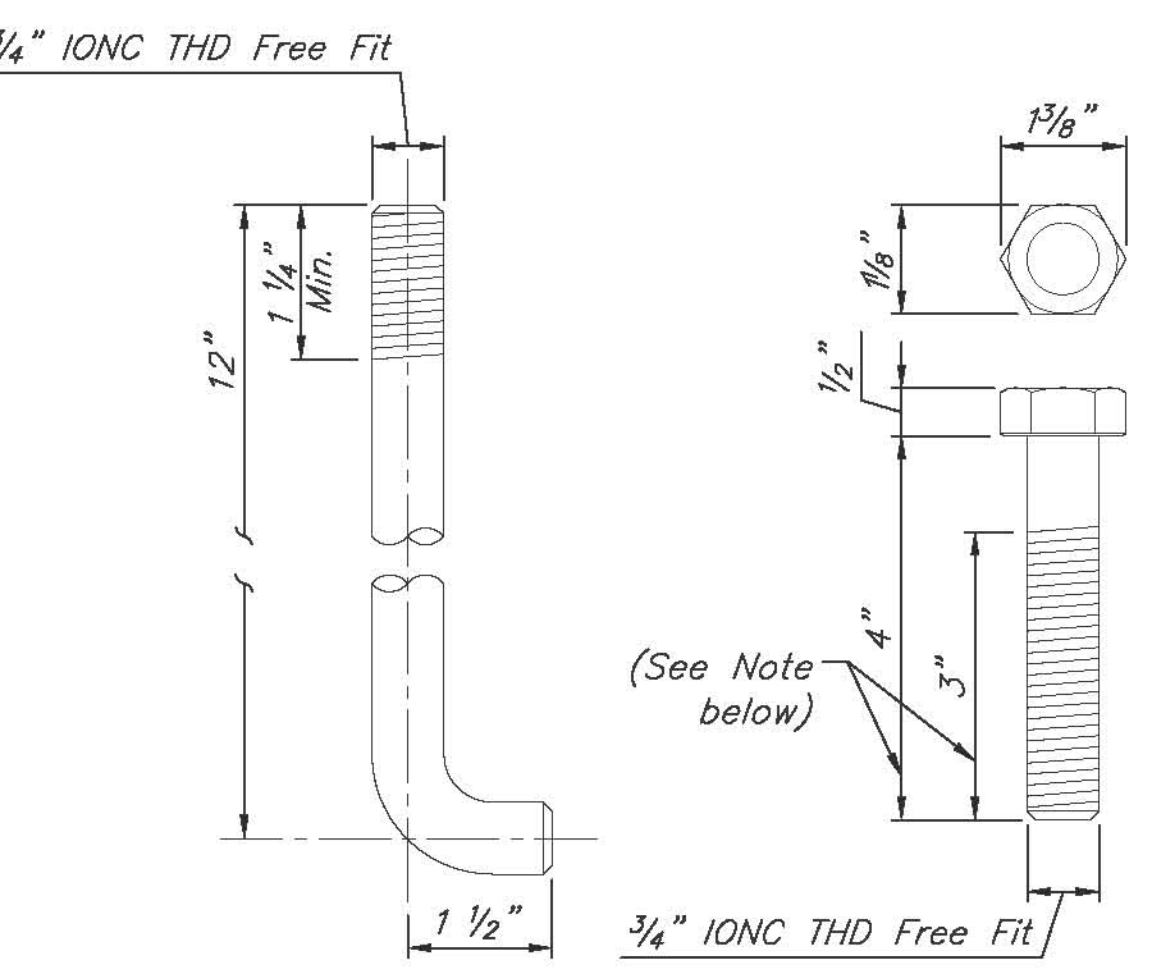
ANCHOR BOLT ASSEMBLY
Scale: 3" = 1'-0"



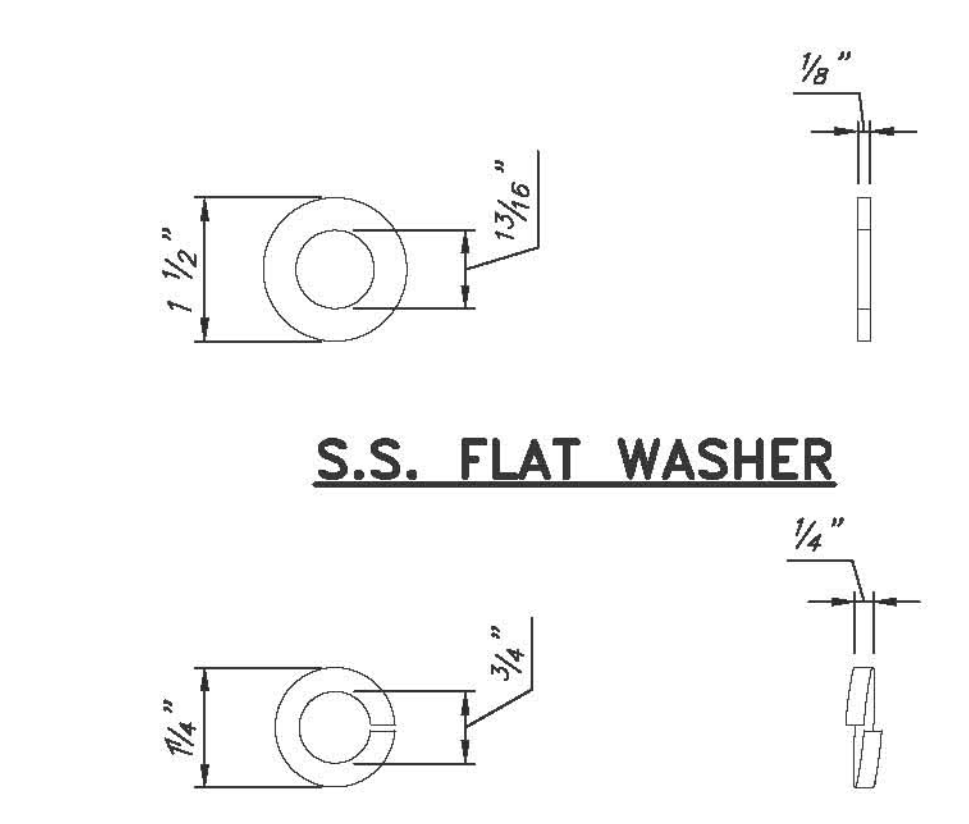
WIRING DIAGRAM
(N.T.S.)



SECTION A-A
COUPLING
Material - Steel, Galvanized per ASTM A-153



ANCHOR BOLT
Material: ASTM A-307 Steel with ASTM 563 Nuts and ASTM F436 Washers, Galvanized per ASTM A153.



S.S. FLAT WASHER

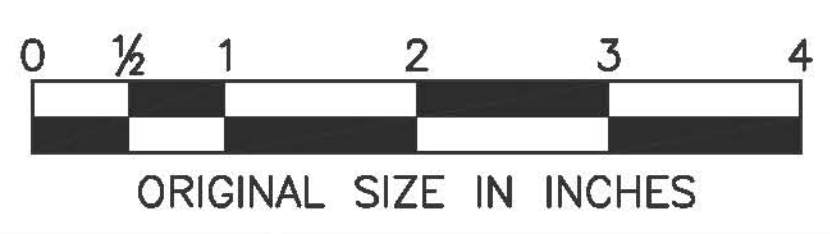
S.S. LOCK WASHER

Note:
Dimensions may vary to accommodate the Meter Cabinet supplied.

NOTE
1. See E-32 for legend and notes.

If you use this Standard Drawing:		
You also need	E-32	
You may need	E-01	

	BY	DATE
MADE	AG	05/2009
TRACED	MDC	05/2009
CHECKED	MS	05/2009
SUPERVISED	ALB	05/2009



APP.	NO.	DATE	REVISION
	03/2012		ADD METER DISCONNECT, UPDATE CALLOUTS
	05/2009		ORIGINAL DRAWING

NEW JERSEY TURNPIKE AUTHORITY	
NEW JERSEY TURNPIKE	
TYPE F LOAD CENTER	
DETAILS-2	
HNTB 145 RT. 46 WEST, SUITE 400, WAYNE, NJ 07470 - CO# 24028000700	STANDARD DRAWING
ANTHONY L. BARTELLO	E-33
New Jersey Professional Engineer License No. CE 40842	