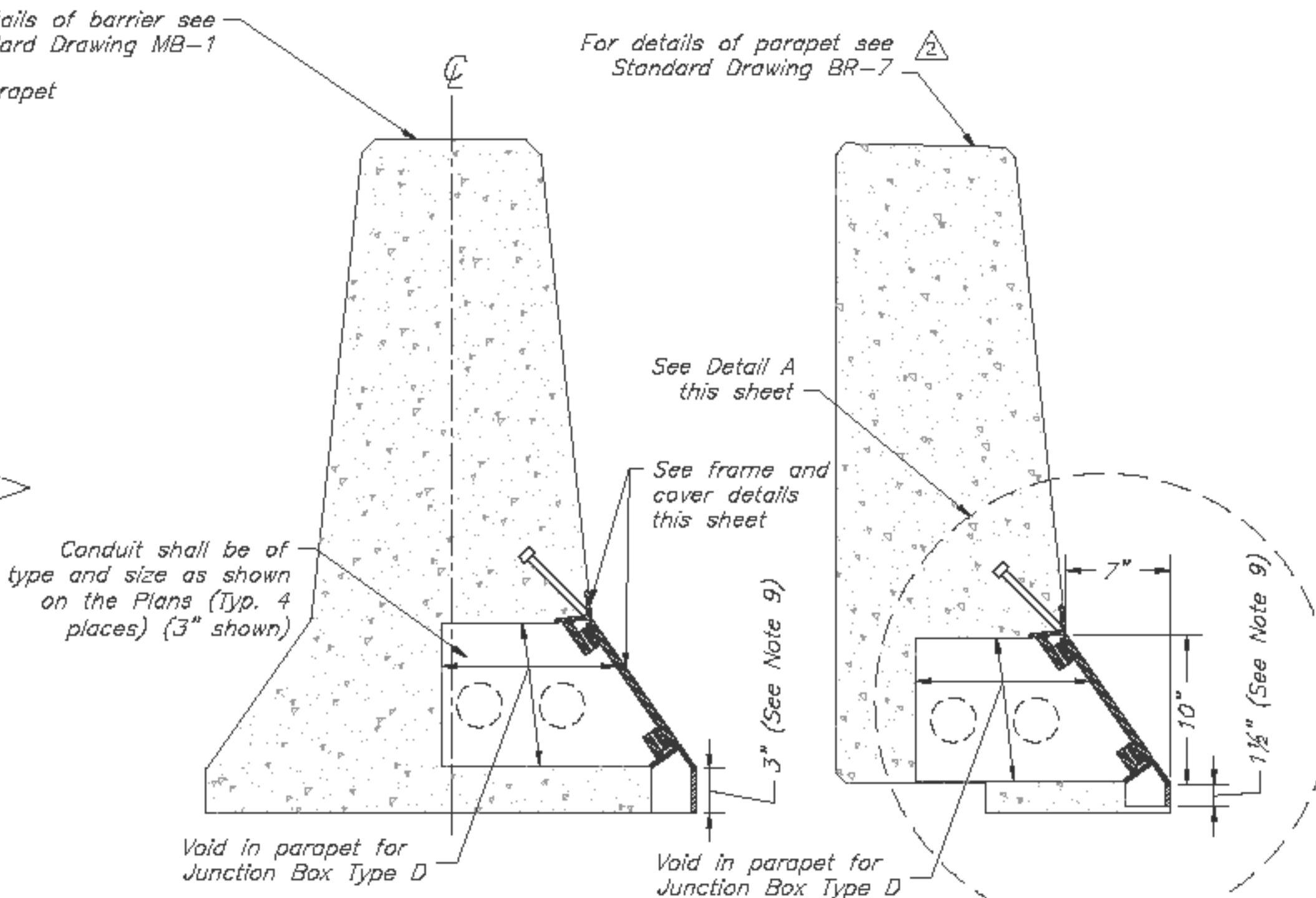


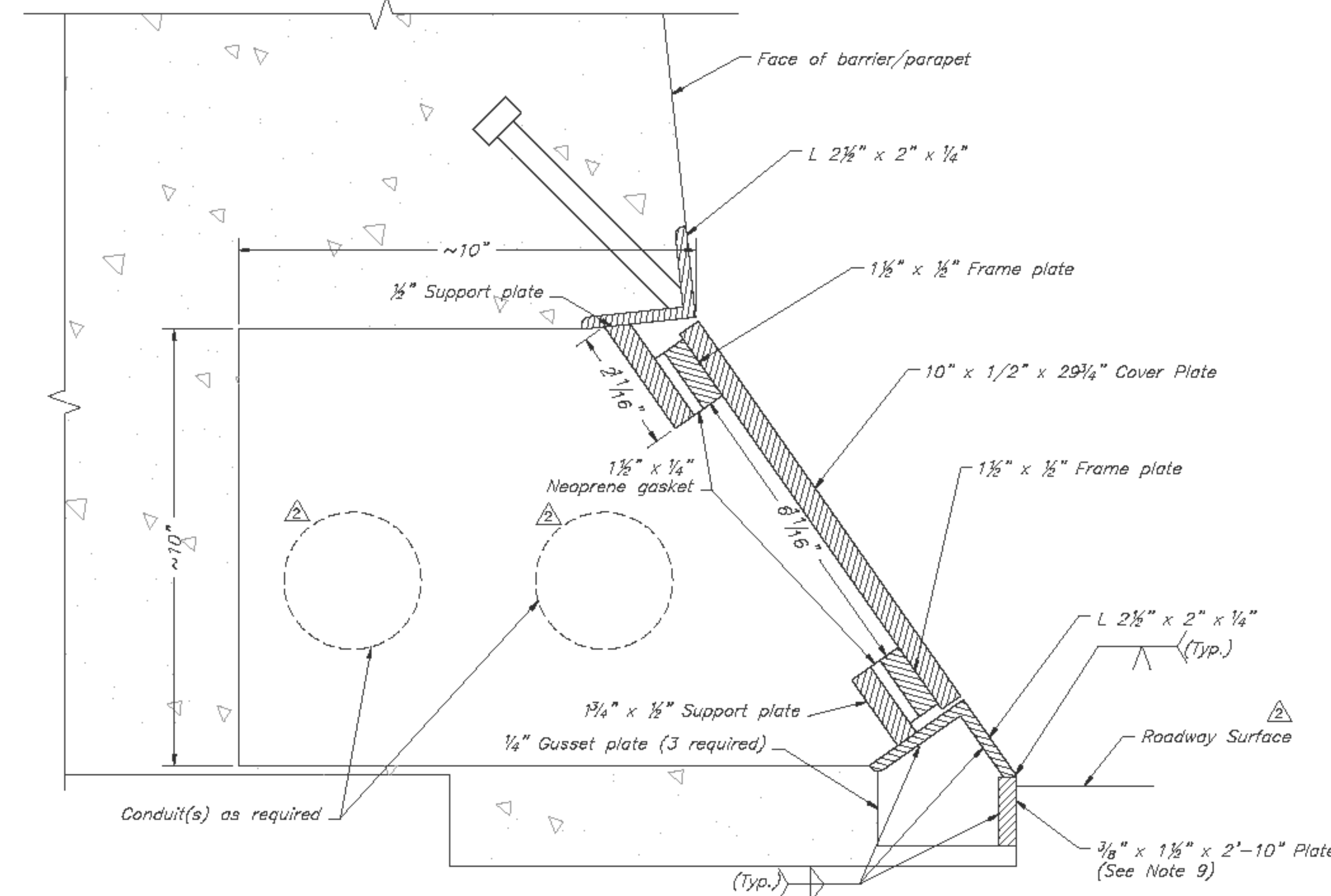
ELEVATION - MEDIAN BARRIER
Scale: 1 1/2" = 1'-0"



SECTION B-B - MEDIAN BARRIER / PARAPET
Scale: 1 1/2" = 1'-0"

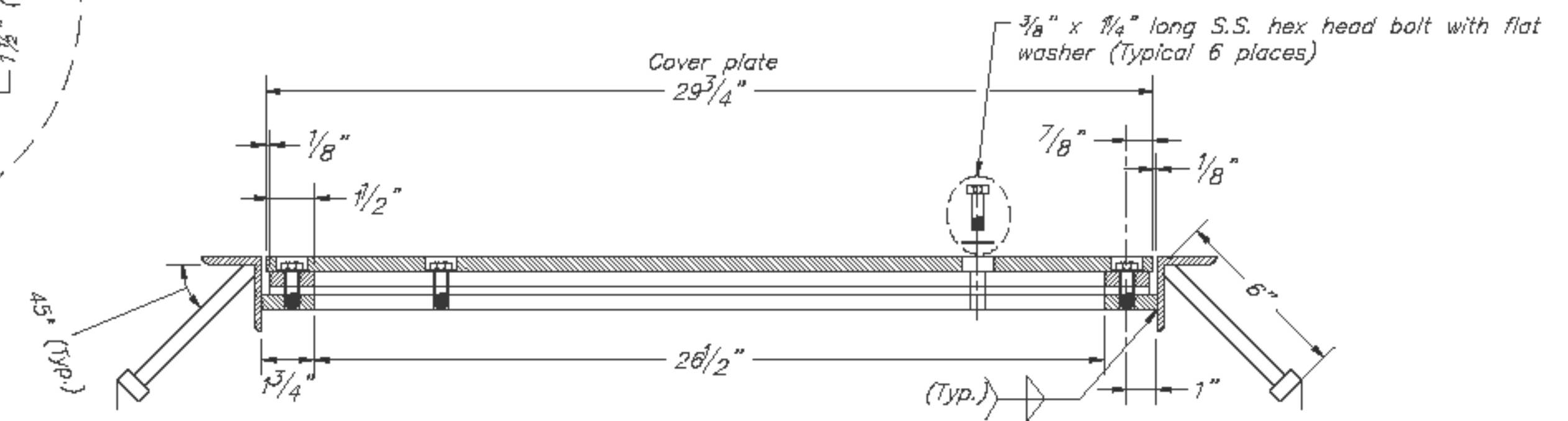
NOTES

1. Bolt locations shall be symmetrical about center lines (6 bolts required per cover).
2. Neoprene gasket shall be a closed cell, EPDM/SBR/Neoprene sponge rubber material with a firmness rating of 3. Gasket shall be attached to the frame plate with an approved adhesive. Neoprene gasket shall be continuous and single piece.
3. All welds shall be 3/16" continuous welds.
4. Frame and cover structural steel shall be ASTM A709, Grade 36 and shall be hot dip galvanized after fabrication in accordance with ASTM A123.
5. The letters "NJTA" shall be welded on to the cover.
6. Frame and cover shall be as manufactured by Support Systems Specialties, Inc. of Whitehouse Station, NJ or approved equal.
7. Unless noted otherwise all hardware shall be stainless steel Type 304 in accordance with ASTM A193 Grade B8.
8. The Contractor shall coordinate the installation of the frame and cover with the construction of parapet or barrier. Steel reinforcement not shown for clarity.
9. The height of the barrier and parapet face differ slightly. A 1 1/2" relief shall be used in parapets and a 3" relief shall be used in roadway median barrier.
10. Detail similar for roadway median barrier installation. (See Note 9)

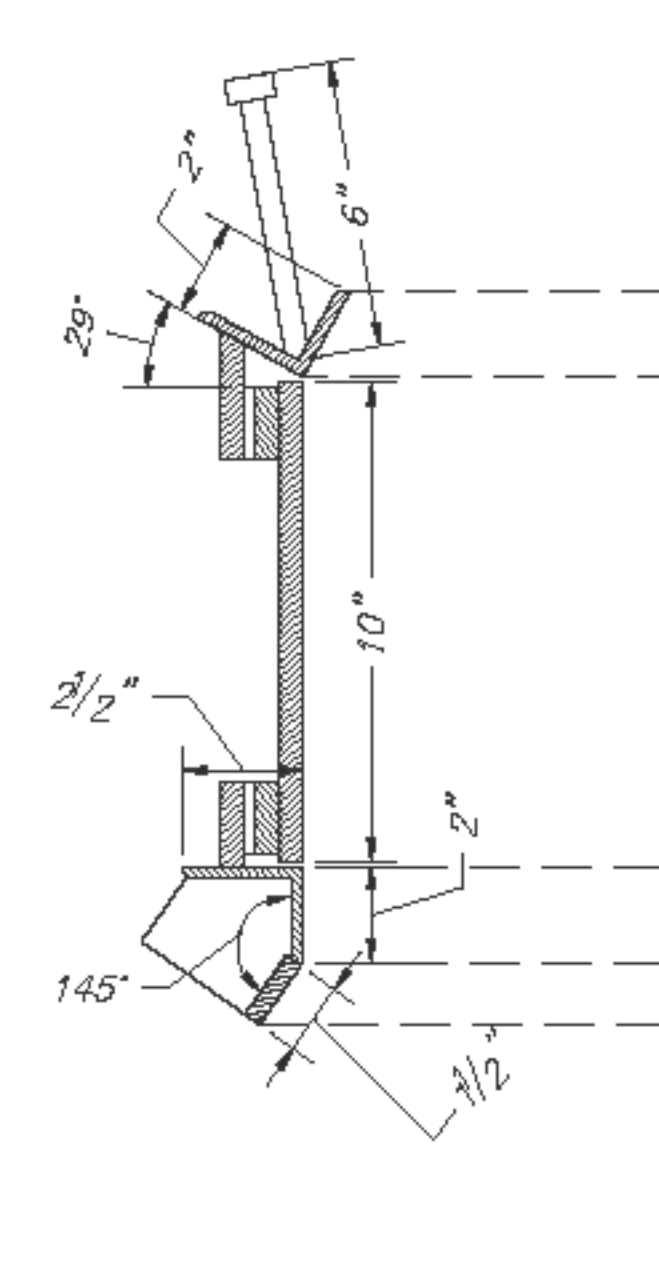


PARAPET - DETAIL A
Scale: 6" = 1'-0"
(See Note 9 and 10)

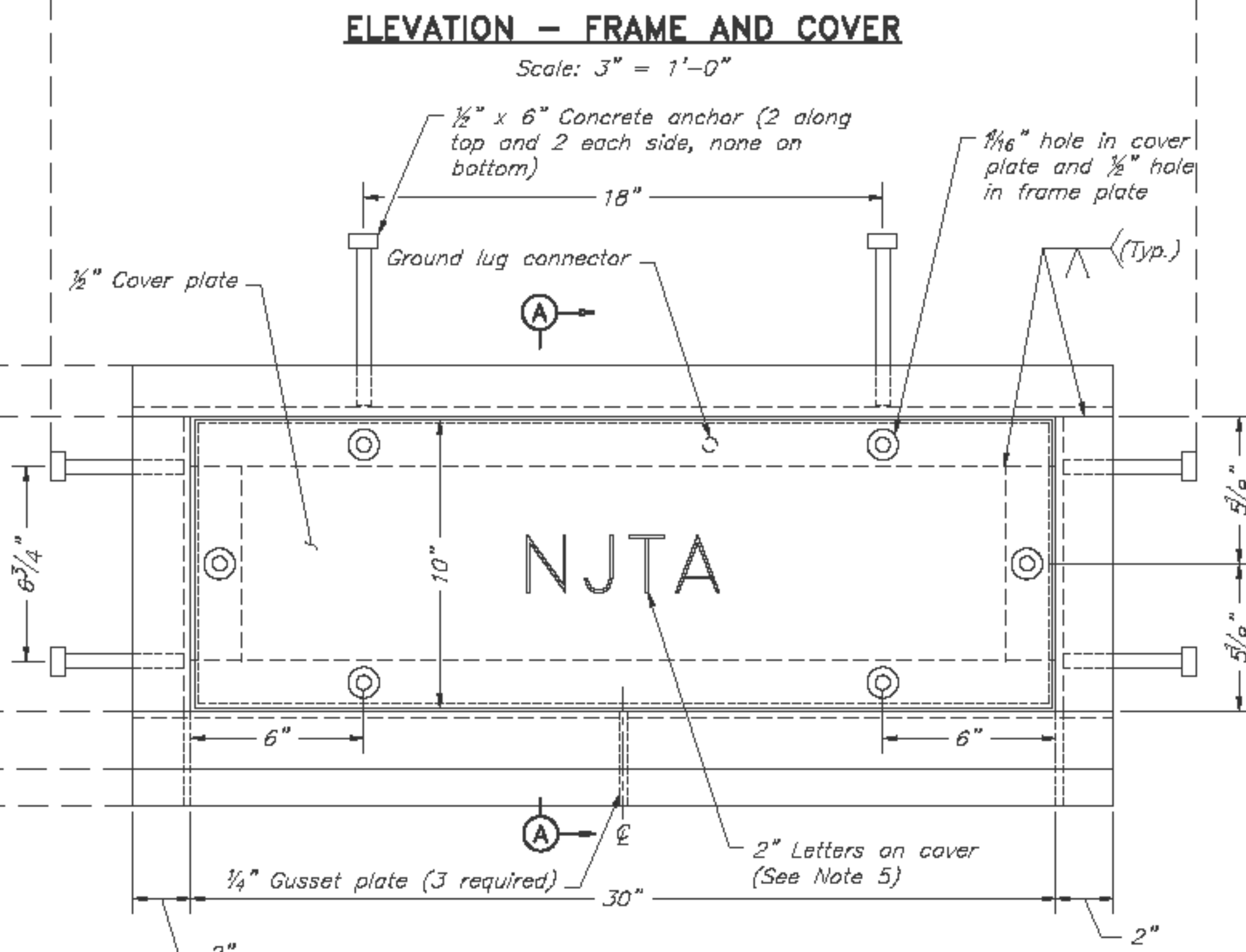
If you use this Standard Drawing:
You also need MB-1 or BR-7
You may need BR-15



ELEVATION - FRAME AND COVER
Scale: 3" = 1'-0"



SECTION A-A - FRAME AND COVER
Scale: 3" = 1'-0"



PLAN - FRAME AND COVER
Scale: 3" = 1'-0"

	BY	DATE
MADE	EMG	05/2009
TRACED	MDC	05/2009
CHECKED	EMG	05/2009
SUPERISED	ALB	05/2009



APP. NO.	DATE	REVISION
2	4/2011	ADDED NOTE 11, CONDUIT LOCATION, CORRECTIONS
1	4/2010	CORRECTED DIMENSIONS AND ADDED NOTE 10

NEW JERSEY TURNPIKE AUTHORITY
NEW JERSEY TURNPIKE
JUNCTION BOX TYPE D

HNTB
ANTHONY L. BARTIELLO
145 RT. 46 WEST, SUITE 400,
WAYNE, NJ 07470 - COA# 24CA28000700

STANDARD DRAWING
E-14

CONTRACT NO. _____ SHEET NO. _____ OF _____