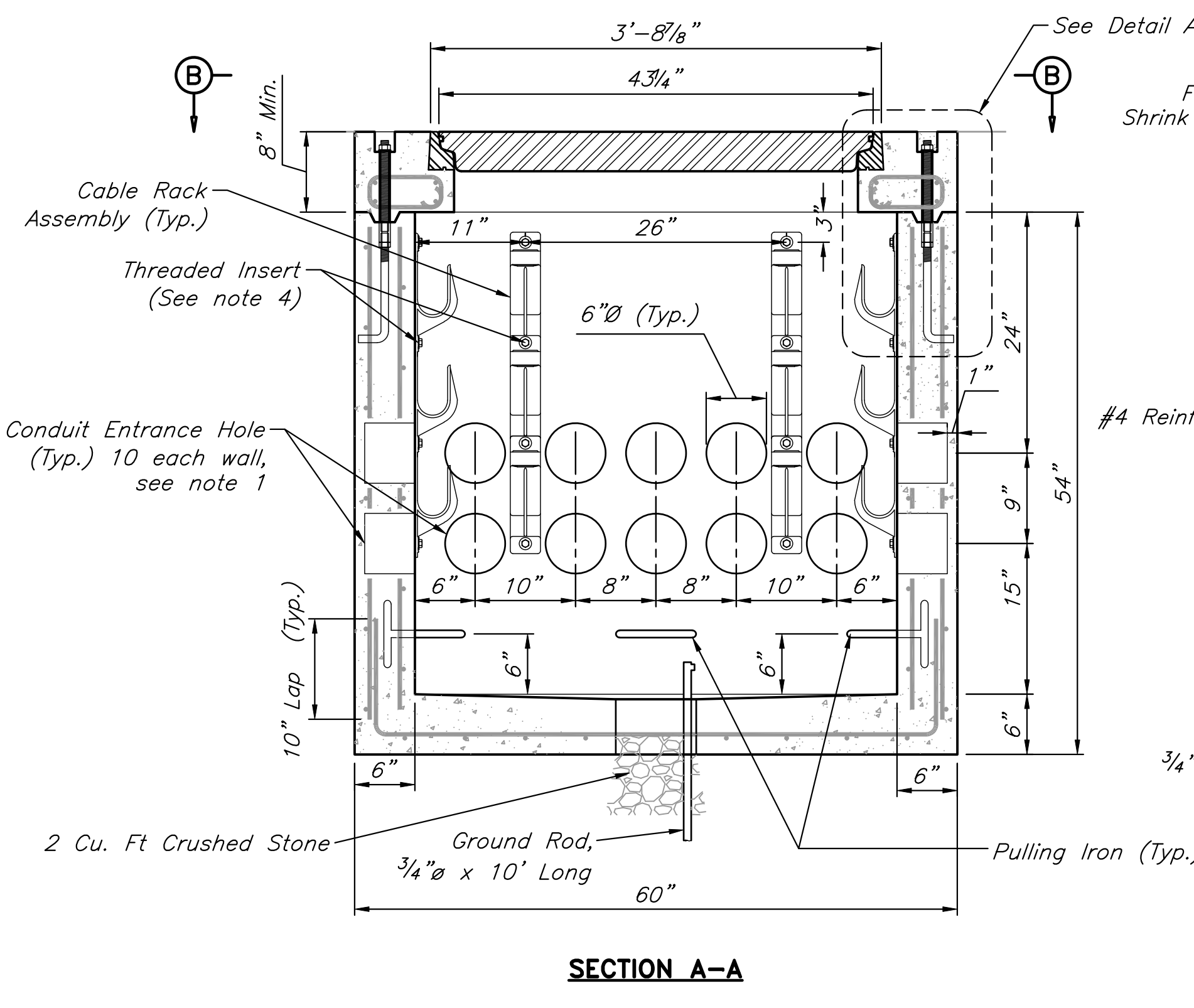


**ROADWAY LIGHTING MANHOLE COVER**

Scale: 1" = 1'-0"  
(See note 4)

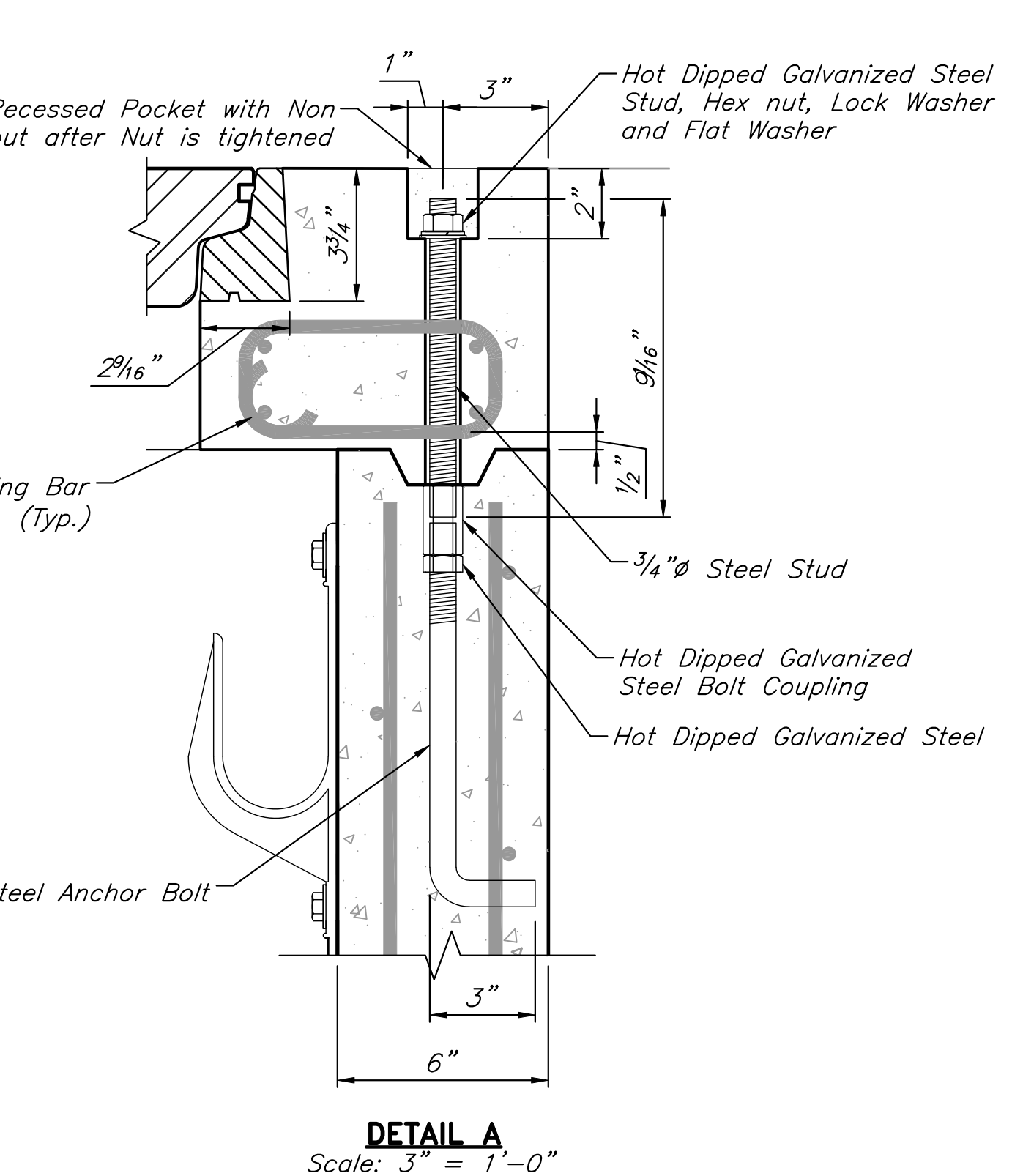
**NOTES**

- Bottom of manholes shall be sloped towards the drain hole.
- Cable racks shall be model 3SR3 as manufactured by Underground Devices, Inc. or approved equal. Each rack shall be supplied with all necessary hardware for installation including but not limited to drop-in anchors, washers, hex head screws, locks, and setting tools. The racks shall be constructed of a non-metallic material such as polycarbonate and have a minimum of four (4) points of attachment. A total of eight (8) cable racks shall be installed per manhole.
- Pulling irons shall be Cooper Power Systems Cat. No. DU2T2 or approved equal.
- Manhole frame and cover shall be constructed of FRP (Fiber Glass Reinforced Plastic) composite materials with frame and cover surpassing the loading requirements of H20 and EN124. Use Fibrelite part #FL100HD/NJTA or approved equal. A lifting tool shall be supplied with each manhole. Use Fibrelite part #FL7A or approved equal. The manhole cover shall sit flush in the frame with the top of the manhole and shall have the letters "NJTA Electric" printed on it.
- Anchor bolts for securing the manhole top to the base shall conform to ASTM A307 Class A. Threading shall be 8 threads per inch, NC Class 2 and shall be hot-dipped galvanized in accordance with ASTM A153.
- Manhole shall be constructed with Class A concrete with air entrainment.
- The manhole shall be constructed with conduit knockouts sized as shown on this sheet. A minimum of forty (40) knockouts shall be available, divided among the four walls of the manhole. Alterations to the orientation shown on this sheet for the knockouts shall be approved through the shop drawing review process.
- The cap of the manhole shall be secured to the base of the manhole at a minimum of eight (8) locations using anchor bolts as shown in Detail A.
- Ground rods shall be 3/4" in diameter and 10' long and as specified in Section 918 of the Standard Specifications.

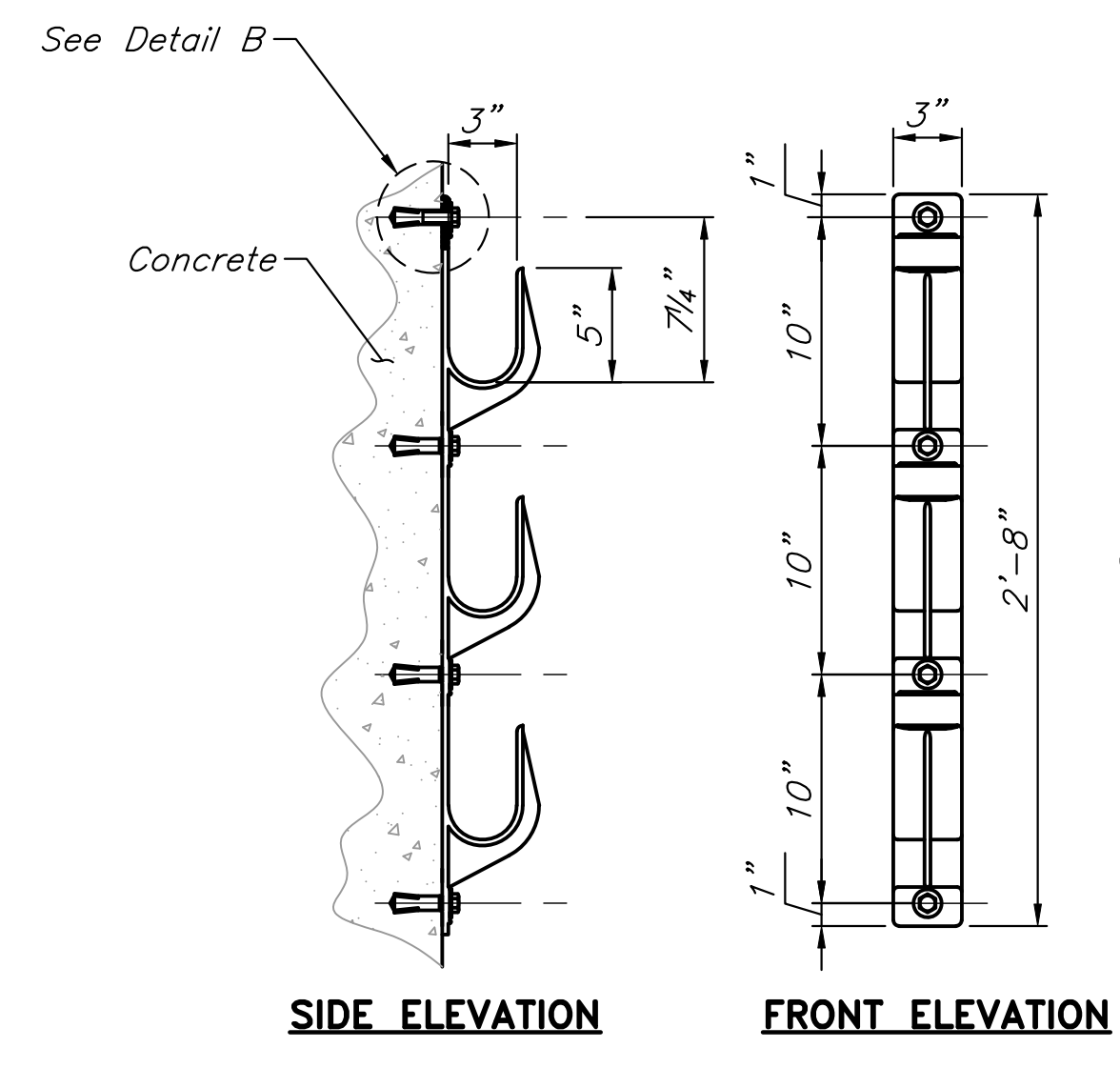


**ROADWAY LIGHTING MANHOLE DETAILS**

Scale: 1" = 1'-0"



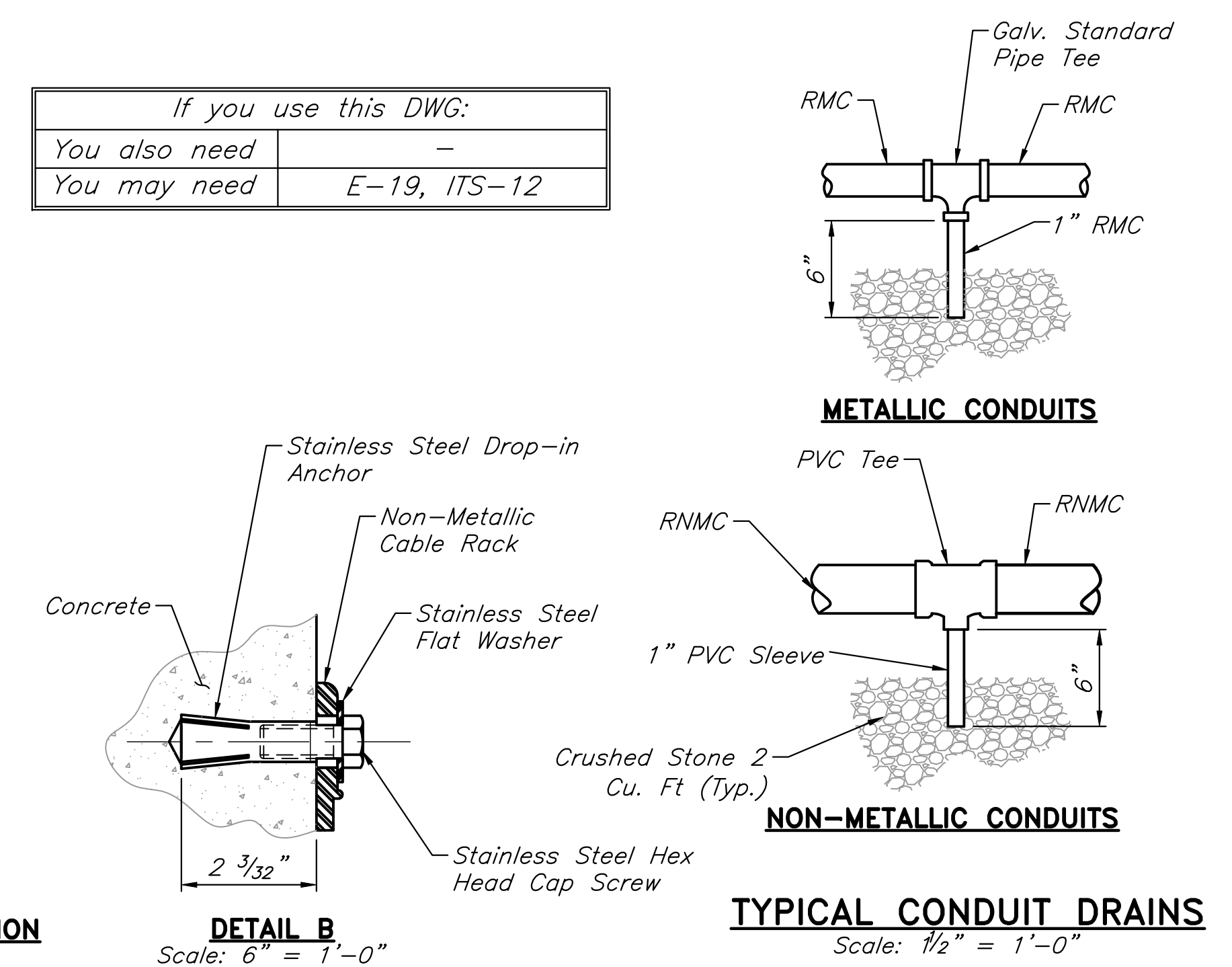
Scale: 3" = 1'-0"



**CABLE RACK ASSEMBLY**

Scale: 1/2" = 1'-0"

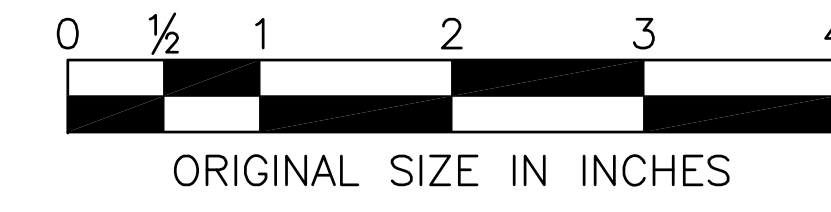
If you use this DWG:	
You also need	-
You may need	E-19, ITS-12



**TYPICAL CONDUIT DRAINS**

Scale: 1/2" = 1'-0"

BY	DATE
EMG	05/2009
GS	05/2009
EMG	05/2009
ALB	05/2009



APP. NO.	DATE	REVISION
0	05/2009	ORIGINAL DRAWING

NEW JERSEY TURNPIKE AUTHORITY  
**NEW JERSEY TURNPIKE**  
 ROADWAY LIGHTING MANHOLE

**HNTB** 145 RT. 46 WEST, SUITE 400, WAYNE, NJ 07470 - CO# 24GA28000700  
**ANTHONY L. BARTELLO**  
 N.J.P.E. License No. GE 45842

**STANDARD DRAWING**  
 E-15