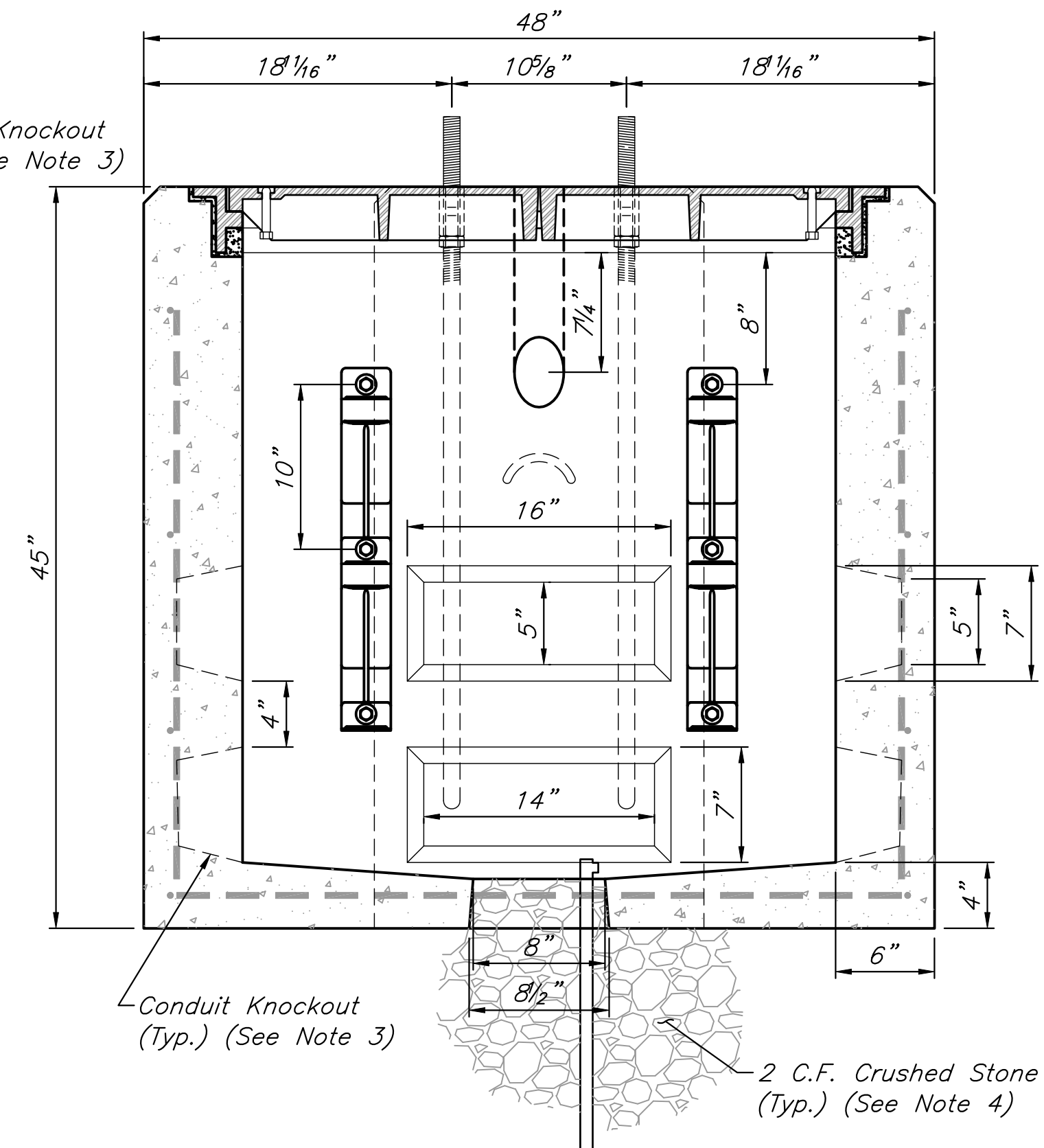
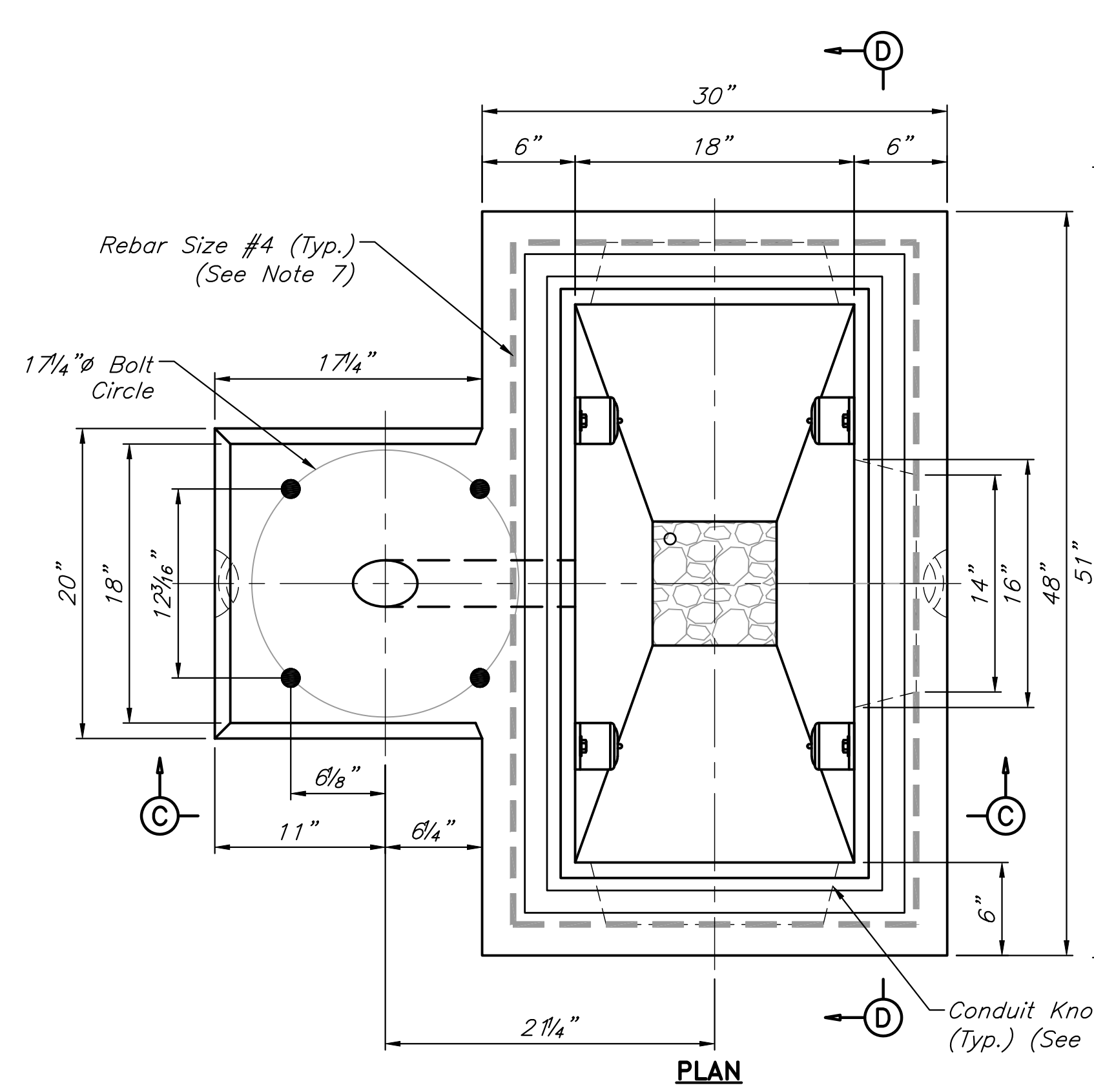


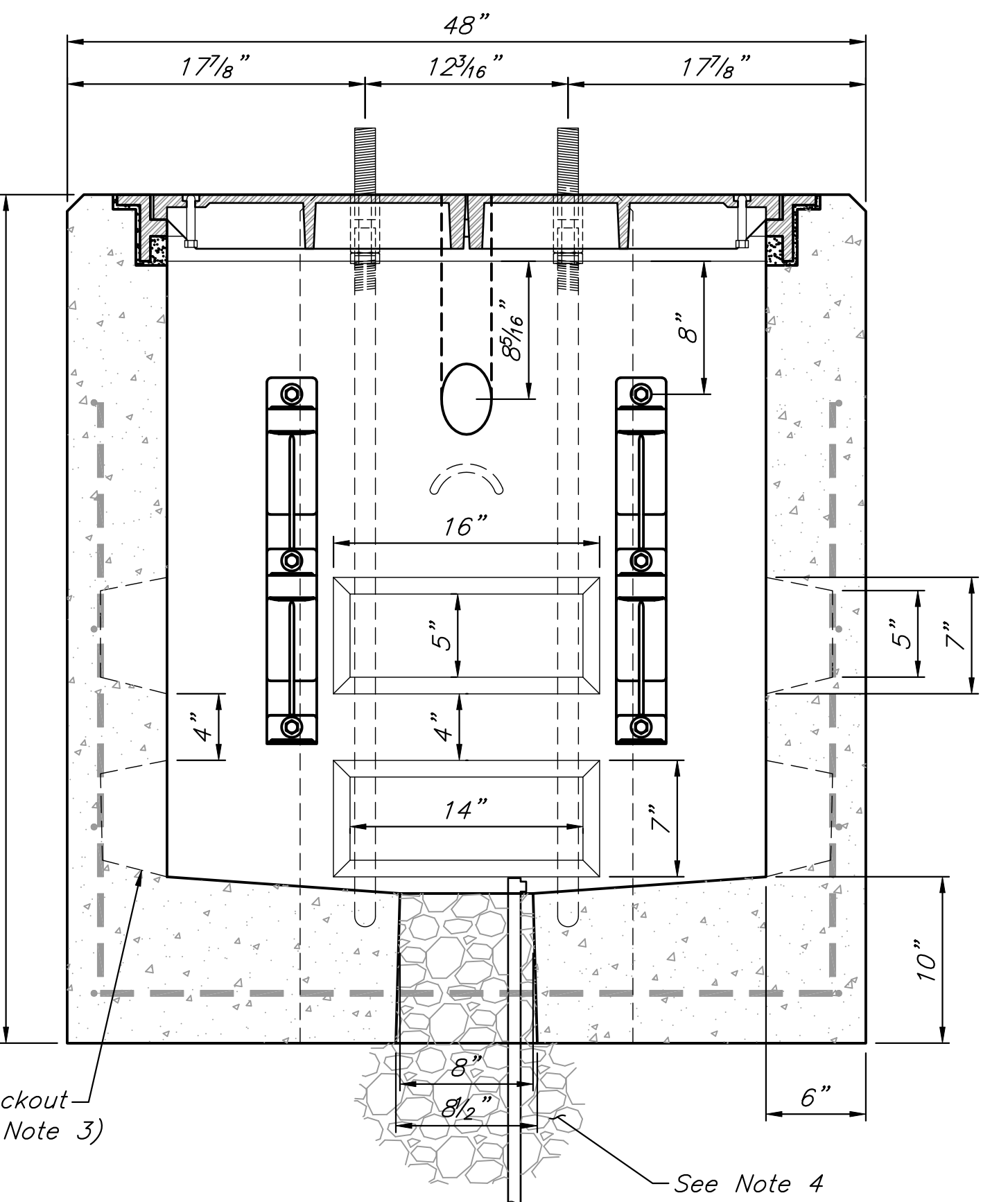
PLAN



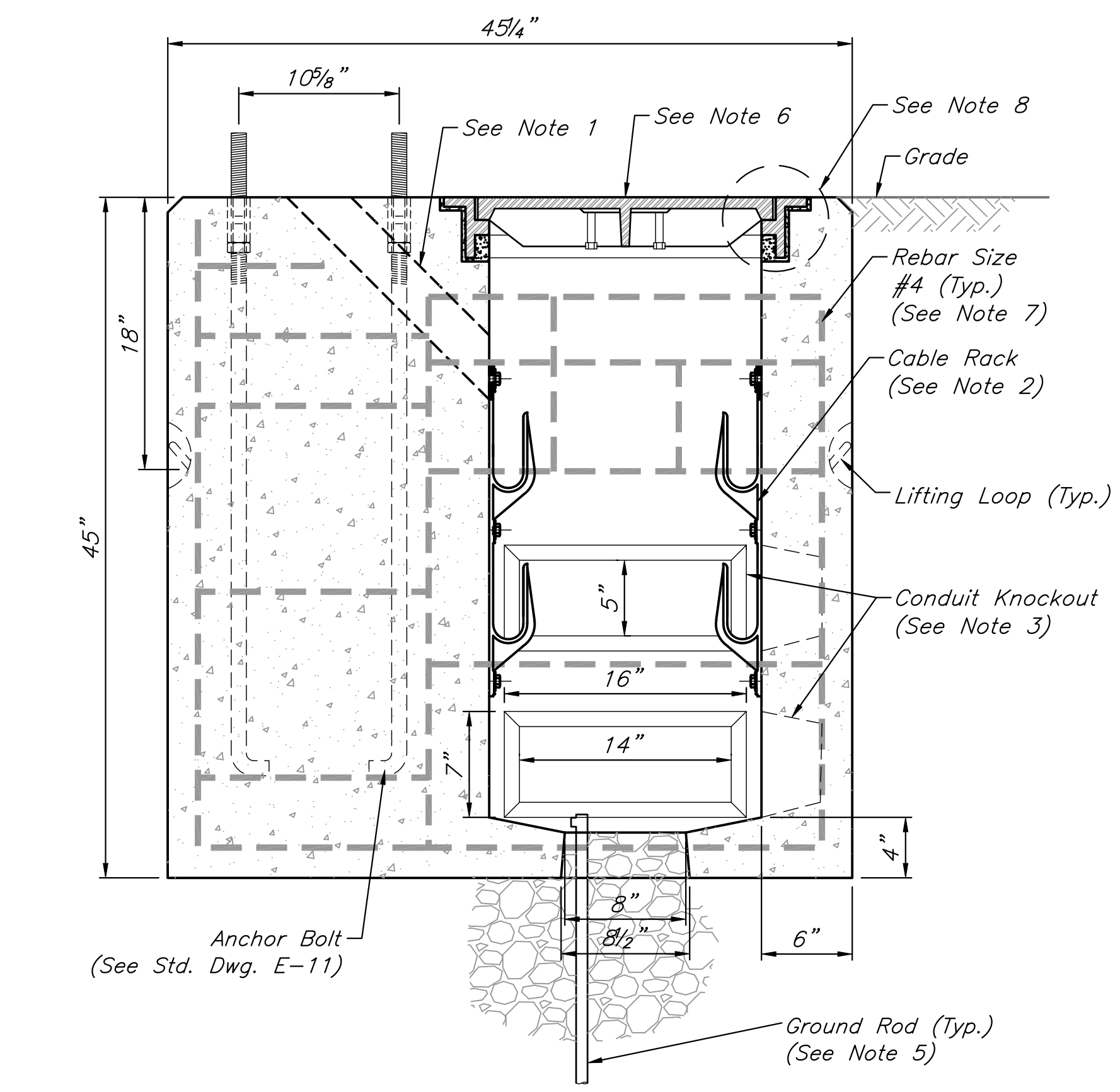
SECTION B-B WITH COVER



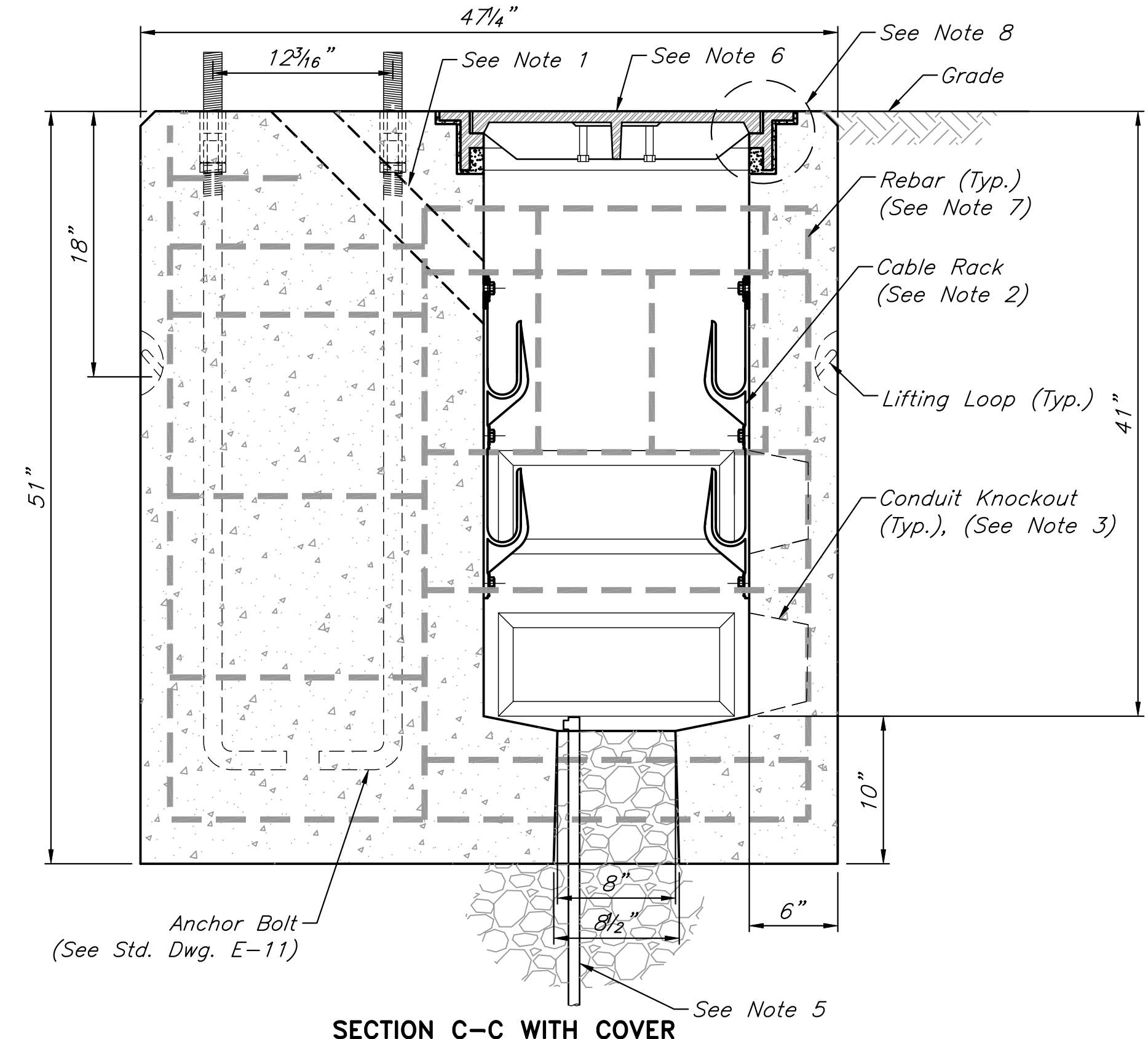
PLAN



SECTION D-D WITH COVER



SECTION A-A WITH COVER



SECTION C-C WITH COVER

**NOTES**

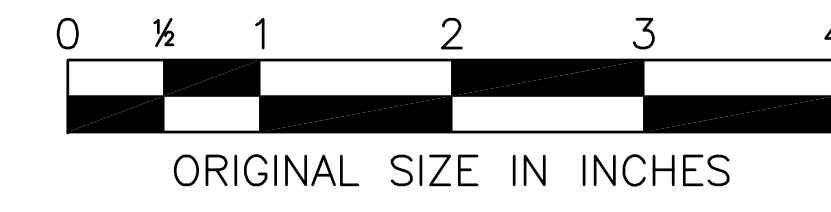
- 3" RNMC-40 conduit shall be installed in junction box foundation at a 45° angle between the top of the foundation and the inside of the junction box. The conduit shall be cut flush with the face of the foundation and the box.
- See Standard Drawing E-13 for cable rack installation details. Four (4) cable racks shall be installed per junction box foundation.
- The junction box foundation(s) may be constructed with either knockouts sized as shown on this sheet or with individual conduit knockouts. If manufactured with individual conduit knockouts, a minimum of seven (7) knockouts shall be available, divided among the three walls of the junction box. The conduit knockouts shall be sized to fit a 3" conduit at a minimum.
- Two (2) cubic feet of crushed stone shall be placed beneath the drain of the junction box foundation. The minimum depth of the stone shall be 12" from the bottom face of the junction box foundation.
- Ground rods shall be 3/4" in diameter and 10' long and as specified in Section 918 of the Standard Specifications.
- See Standard Drawing E-13 for details of the junction box foundation frame and cover.
- Junction box foundations shall be constructed utilizing rebar sized as shown on this sheet.
- See grouting detail on Standard Drawing E-13.
- Junction box foundation shall be constructed of Class B concrete.
- Junction box foundations may be constructed with 4" thick walls versus 6" (shown) where approved by the Engineer.

If you use this Standard Drawing:  
 You also need E-11, E-13  
 You may need E-09

**JUNCTION BOX FOUNDATION - TYPE 1**  
**FOR POLES WITH 15"Ø BOLT CIRCLE**  
 Scale: 1/2" = 1'-0"

**JUNCTION BOX FOUNDATION - TYPE 2**  
**FOR POLES WITH 17 1/4"Ø BOLT CIRCLE**  
 Scale: 1/2" = 1'-0"

BY	EMG	05/2009
MADE	EMG	05/2009
TRACED	GS	05/2009
CHECKED	EMG	05/2009
SUPERVISED	ALB	05/2009



APP. NO.	0	05/2009	ORIGINAL DRAWING
DATE			
REVISION			

NEW JERSEY TURNPIKE AUTHORITY  
**NEW JERSEY TURNPIKE**  
 JUNCTION BOX FOUNDATION

**HNTB** 145 RT. 46 WEST, SUITE 400,  
 WAYNE, NJ 07470 - CDA# 24GA28000700  
**ANTHONY L. BARTELLO**  
 N.J.P.E. License No. GE 45842

**STANDARD DRAWING**  
**E-12**