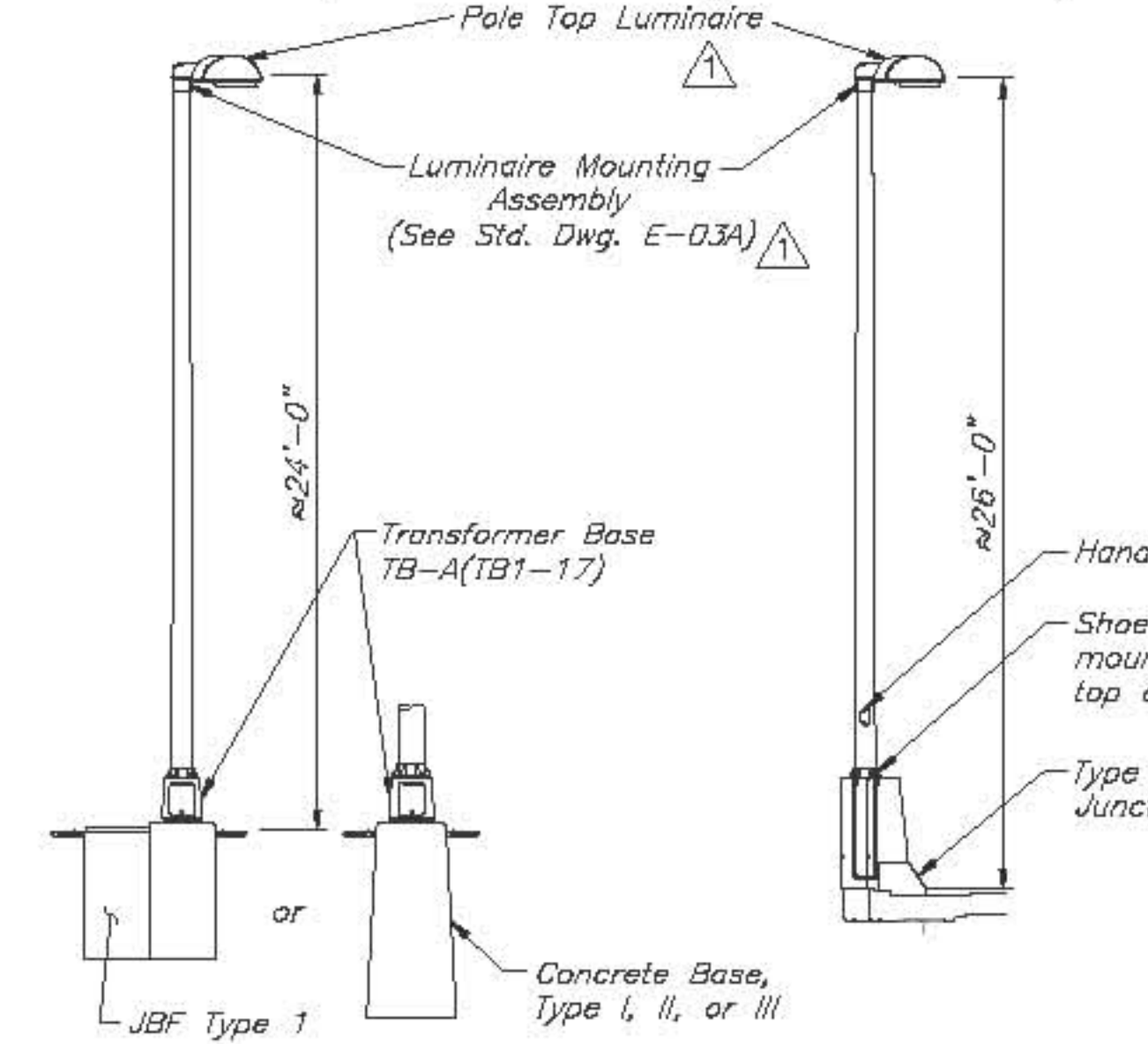
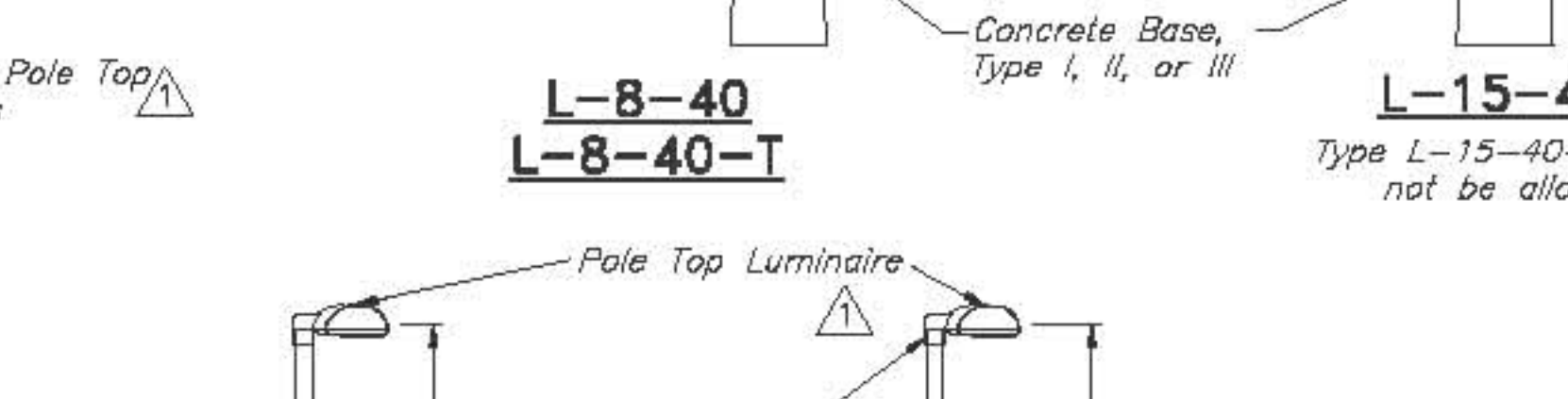


**POLE TOP FIXTURE CONFIGURATIONS**  
(See details on Std. Dwg. E-03A and Note 6)

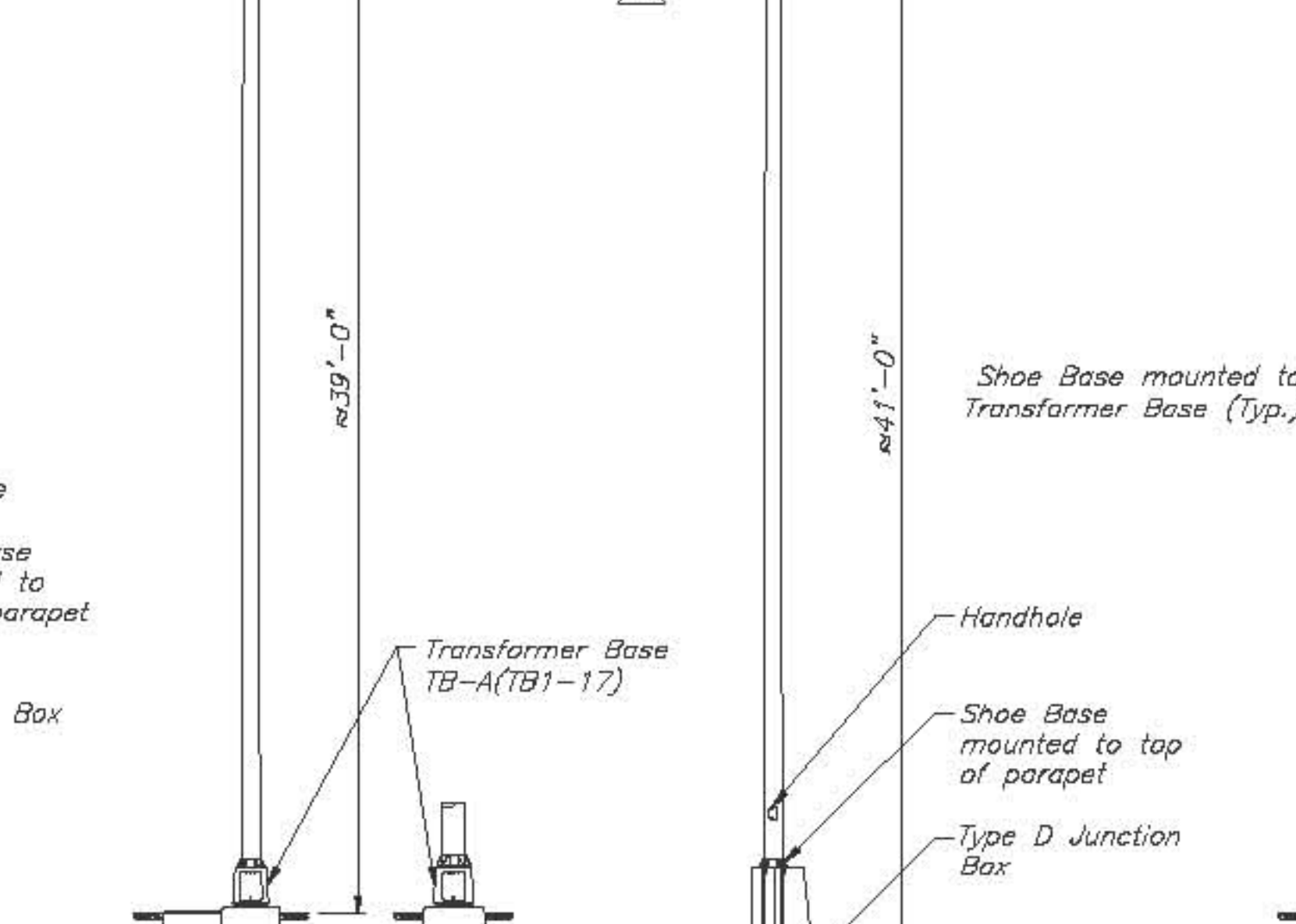


**L-MG-26**  
**L-MG2-26**  
**L-MG3-26**

**L-MG-26-SB**  
**L-MG2-26-SB**  
**L-MG3-26-SB**

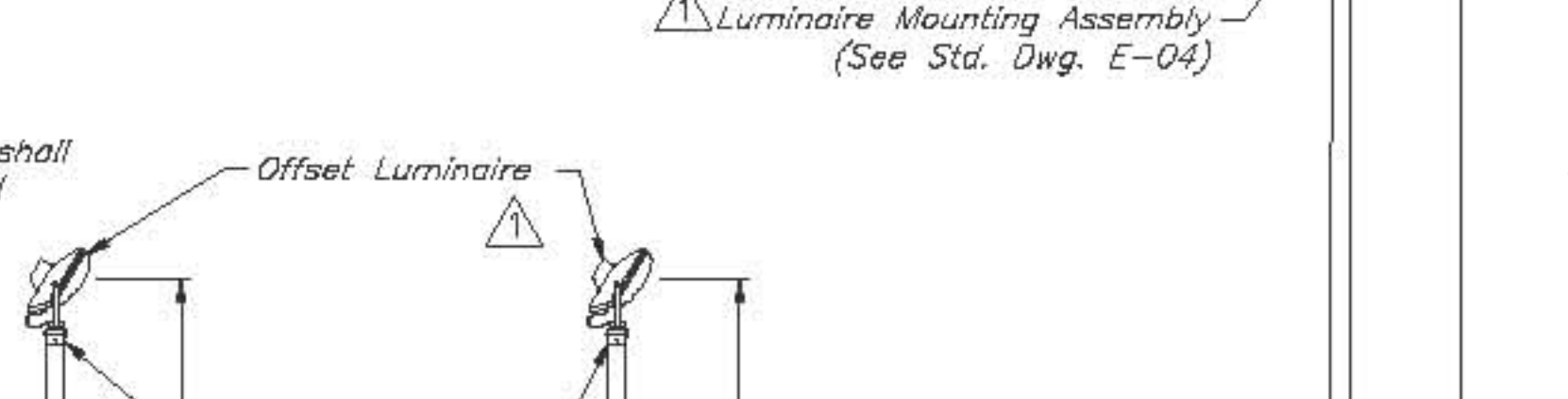


**L-8-40**  
**L-15-40**

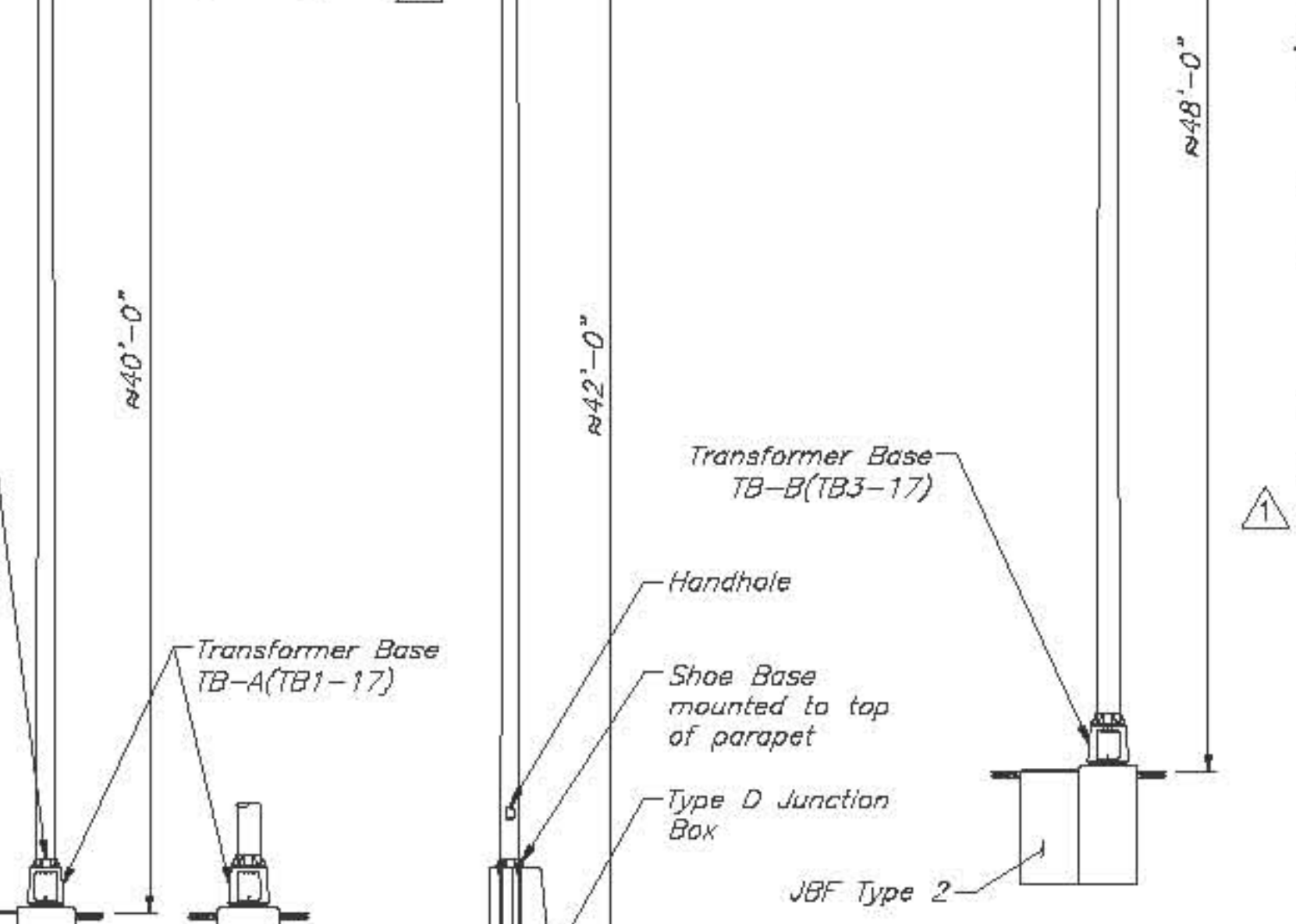


**L-MG-40**  
**L-MG2-40**  
**L-MG3-40**

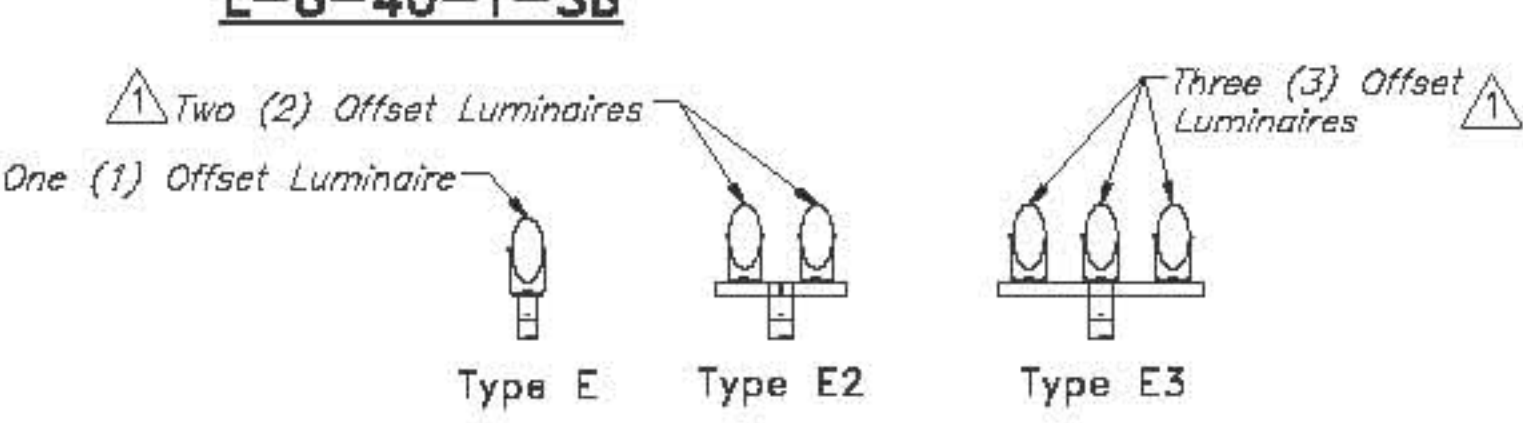
**L-MG-40-SB**  
**L-MG2-40-SB**  
**L-MG3-40-SB**



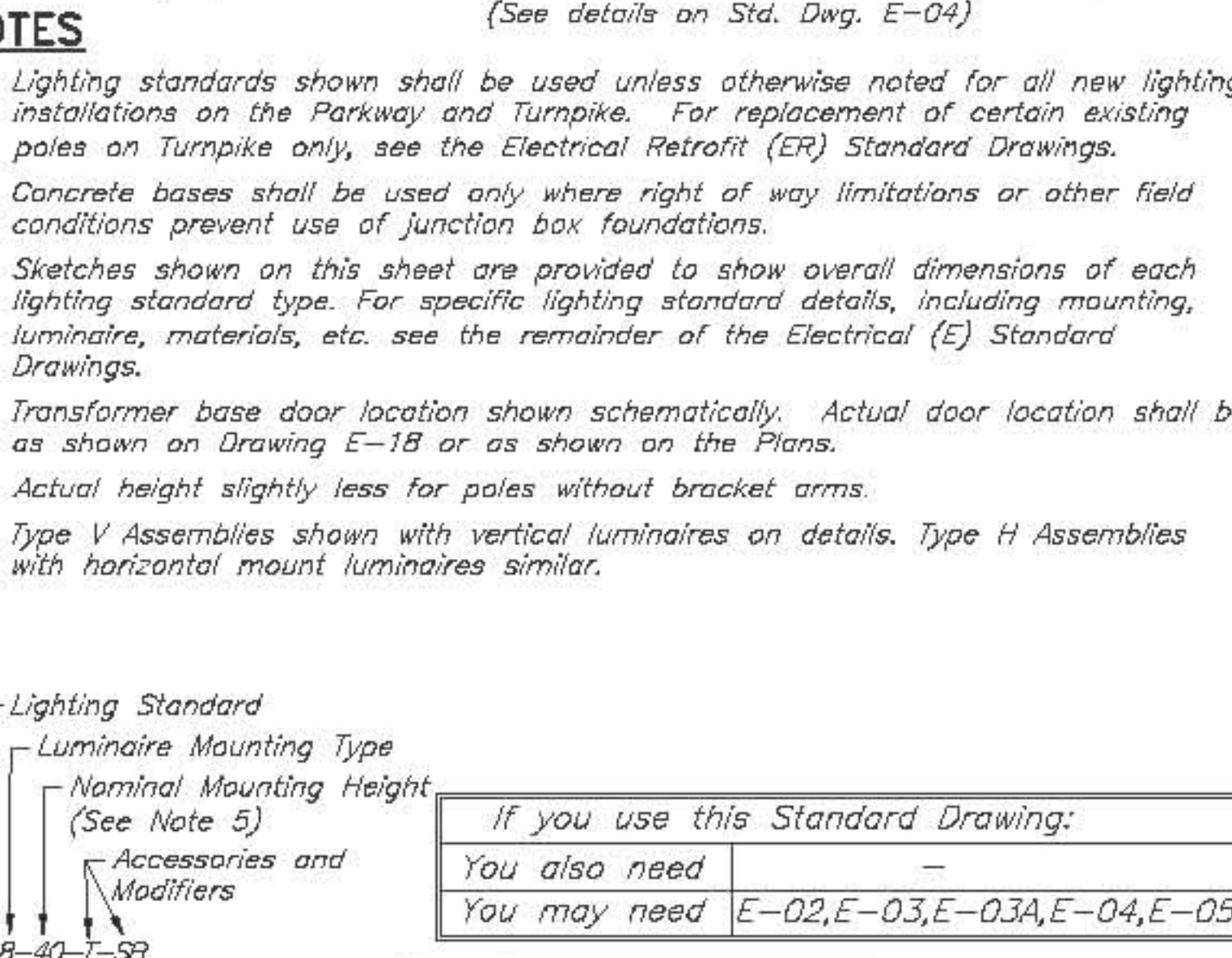
**L-8-26-SB**  
**L-8-26-T-SB**  
**L-15-26-SB**  
**L-15-26-T-SB**



**L-E-40**  
**L-E-48**  
**L-E2-48**  
**L-E3-48**



**EXPRESSWAY FIXTURE CONFIGURATIONS**  
(See details on Std. Dwg. E-04)

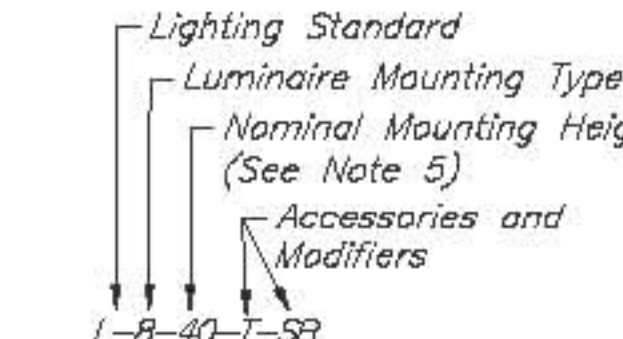


**L-8-40-SB**  
**L-8-40-T-SB**

**L-15-40-SB**  
**L-15-40-T-SB**

**NOTES**

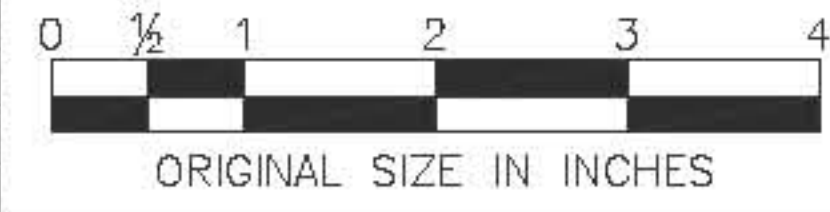
- Lighting standards shown shall be used unless otherwise noted for all new lighting installations on the Parkway and Turnpike. For replacement of certain existing poles on Turnpike only, see the Electrical Retrofit (ER) Standard Drawings.
- Concrete bases shall be used only where right of way limitations or other field conditions prevent use of junction box foundations.
- Sketches shown on this sheet are provided to show overall dimensions of each lighting standard type. For specific lighting standard details, including mounting, luminaire, materials, etc. see the remainder of the Electrical (E) Standard Drawings.
- Transformer base door location shown schematically. Actual door location shall be as shown on Drawing E-1B or as shown on the Plans.
- Actual height slightly less for poles without bracket arms.
- Type V Assemblies shown with vertical luminaires on details. Type H Assemblies with horizontal mount luminaires similar.



**TYPICAL LUMINAIRE TYPE DESIGNATIONS**

If you use this Standard Drawing:	
You also need	-
You may need	E-02, E-03, E-03A, E-04, E-05

BY	EMG	05/2009
TRACED	MDC	05/2009
CHECKED	EMG	05/2009
SUPERSED	ALB	05/2009



**LIGHTING STANDARD TYPES**

Scale: 3/16" = 1'-0"

APP. NO.	05/2012	REVISD LUMINAIRE AND MOUNT TYPES, ADDED NOTE
DATE	05/2009	ORIGINAL DRAWING
REVISION		

NEW JERSEY TURNPIKE AUTHORITY  
**NEW JERSEY TURNPIKE**  
LIGHTING STANDARD KEY SHEET

**HNTB** 145 RT. 46 WEST, SUITE 400, WAYNE, NJ 07470 - CD# 24028000700  
**ANTHONY L. BARTELLO**  
Professional Engineer License No. 0E 00000

**STANDARD DRAWING**  
E-01