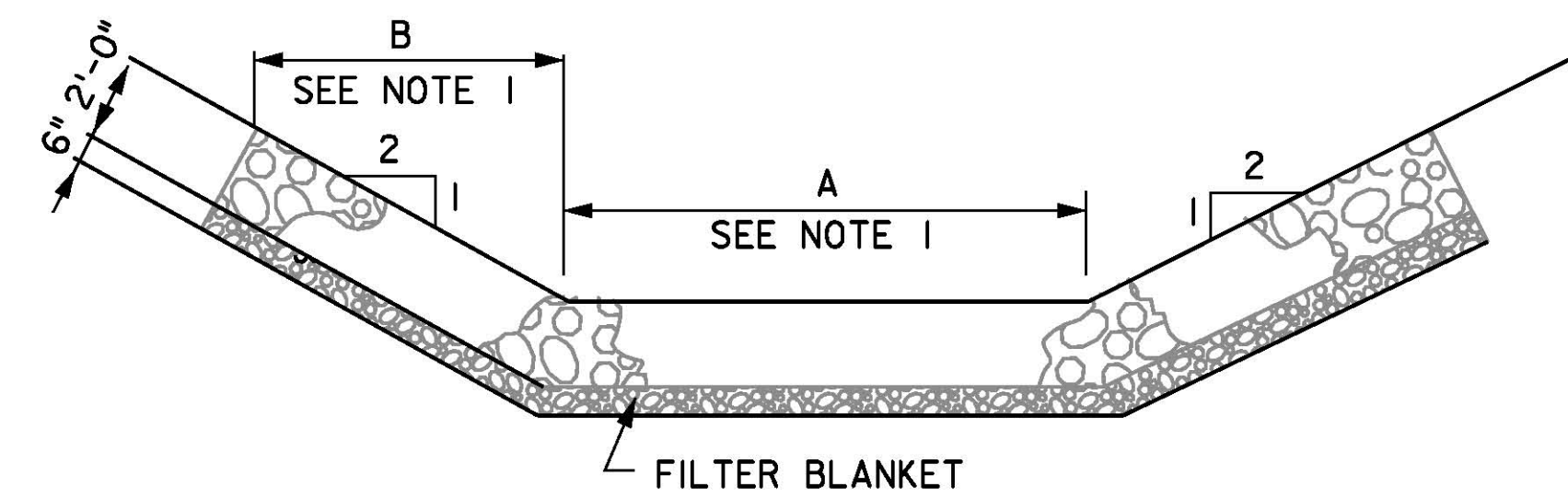
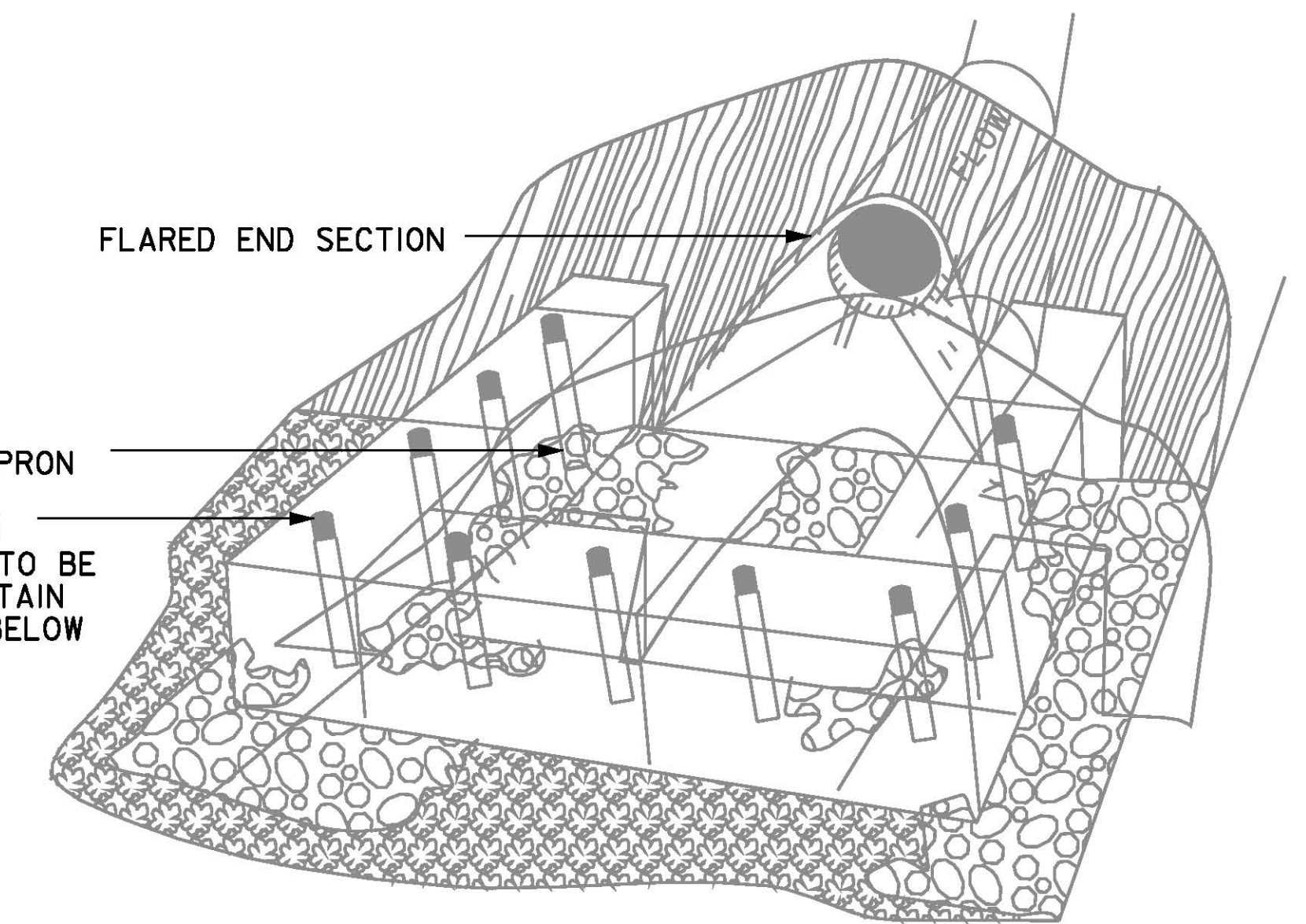


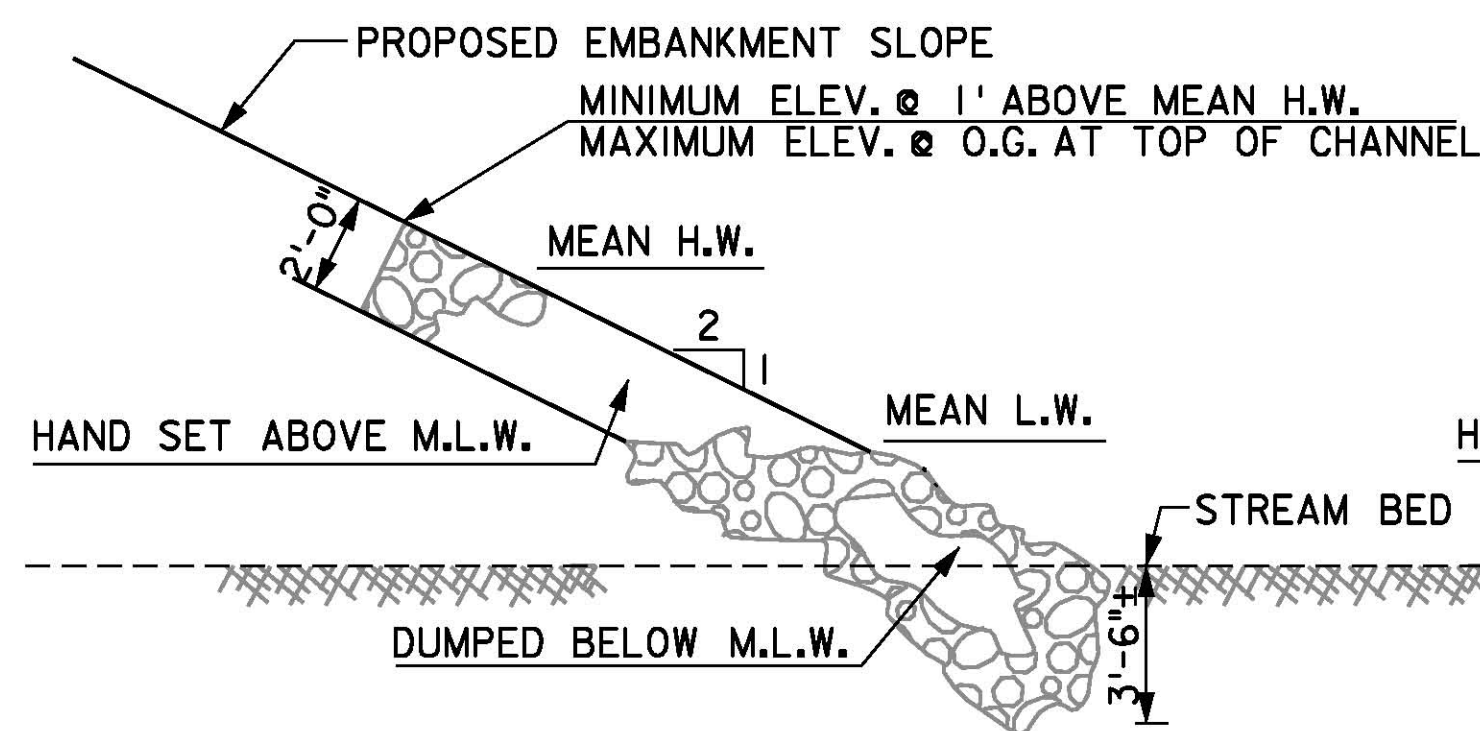
PLACEMENT TYPE 'A'



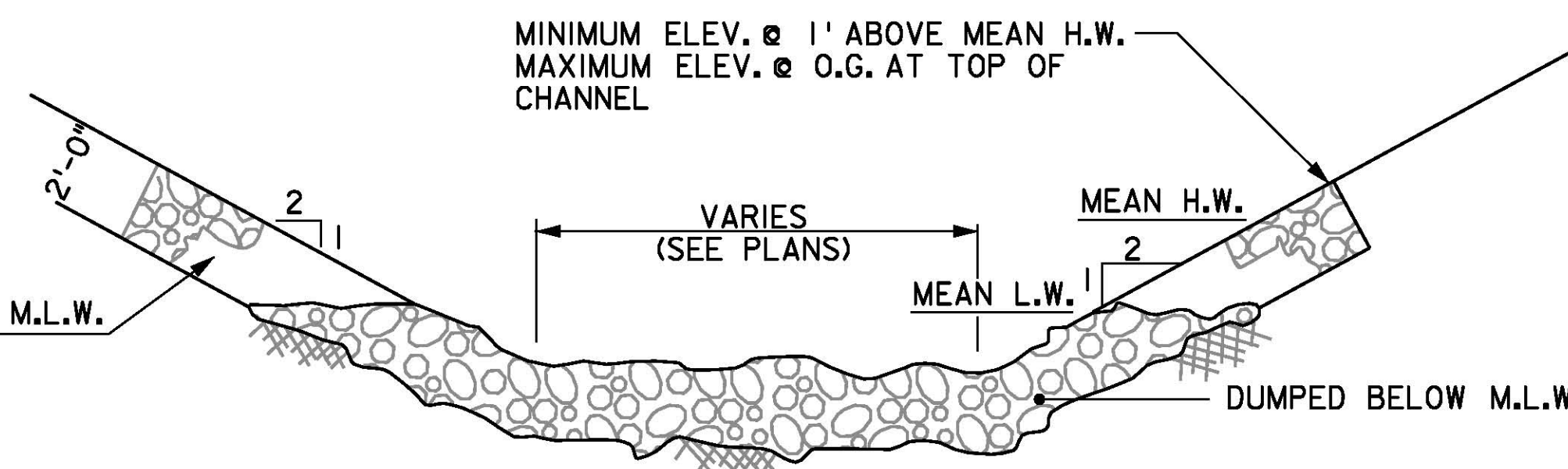
**TYPICAL SECTION
PLACEMENT TYPE 'B'**



**TYPICAL APPLICATION OF HAY BALES
FOR TEMPORARY EROSION CONTROL AT
PERMANENT STORM DRAIN OUTLETS**

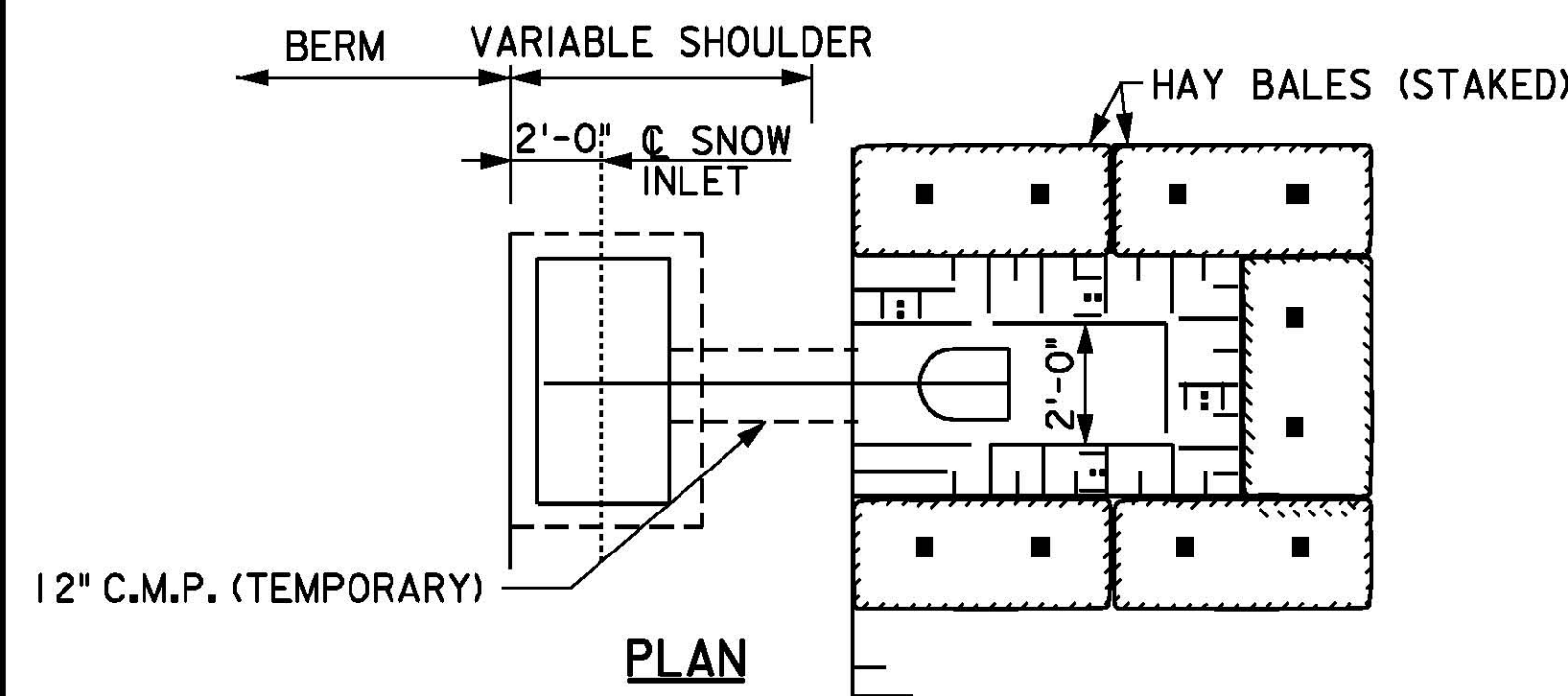


**TYPICAL SECTION
PLACEMENT TYPE 'A-1'**

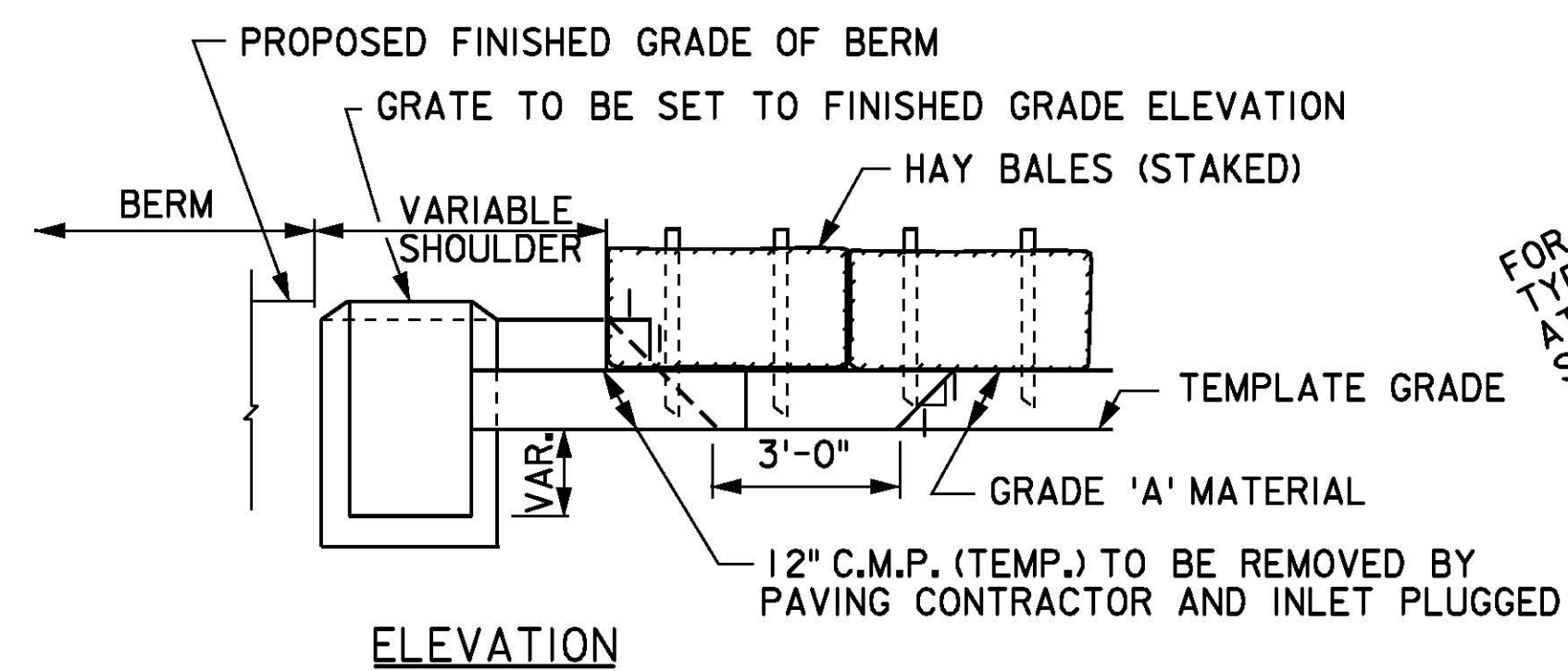


**TYPICAL SECTION
PLACEMENT TYPE 'B-1'**

**STONE FOR EROSION CONTROL
STONE GRADE 'A'**
(SEE NOTE 2)

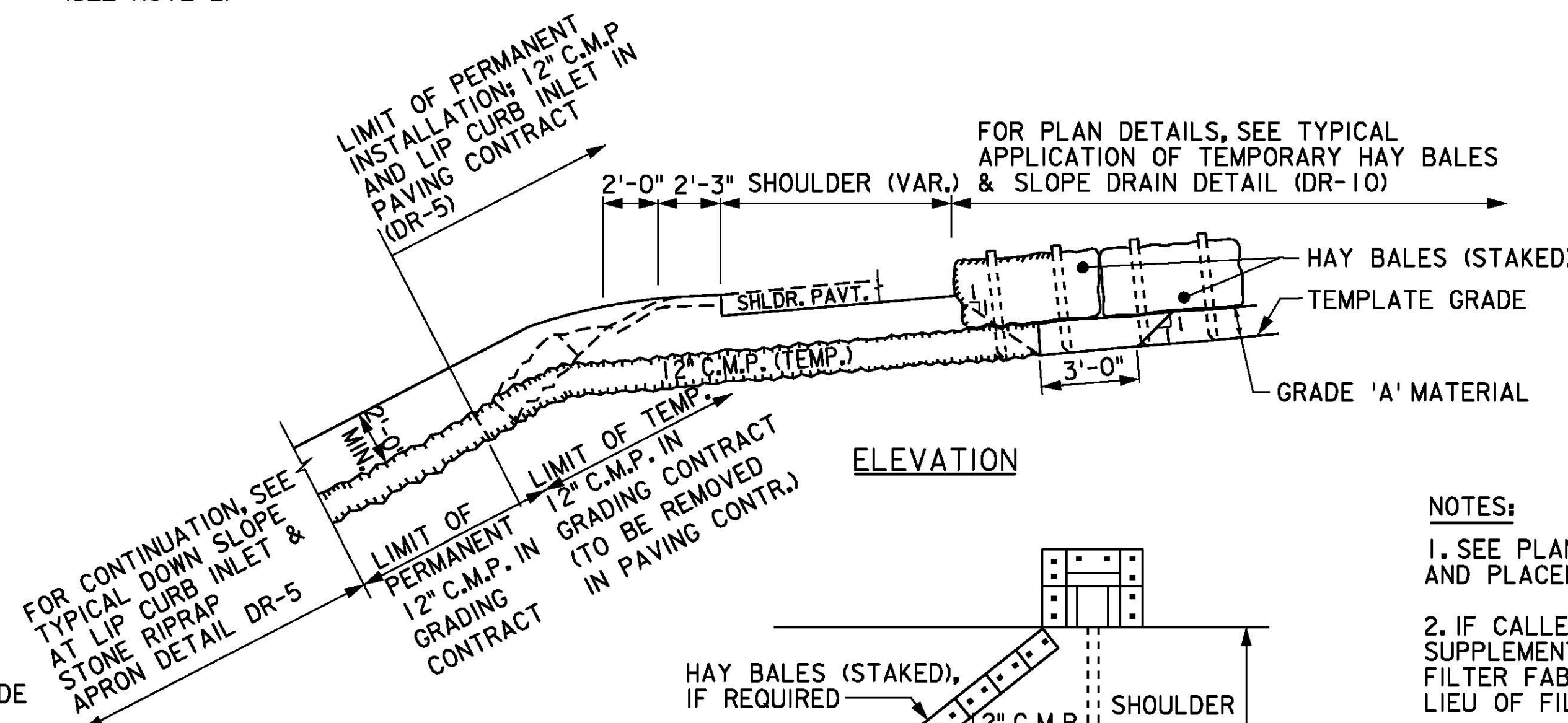


PLAN

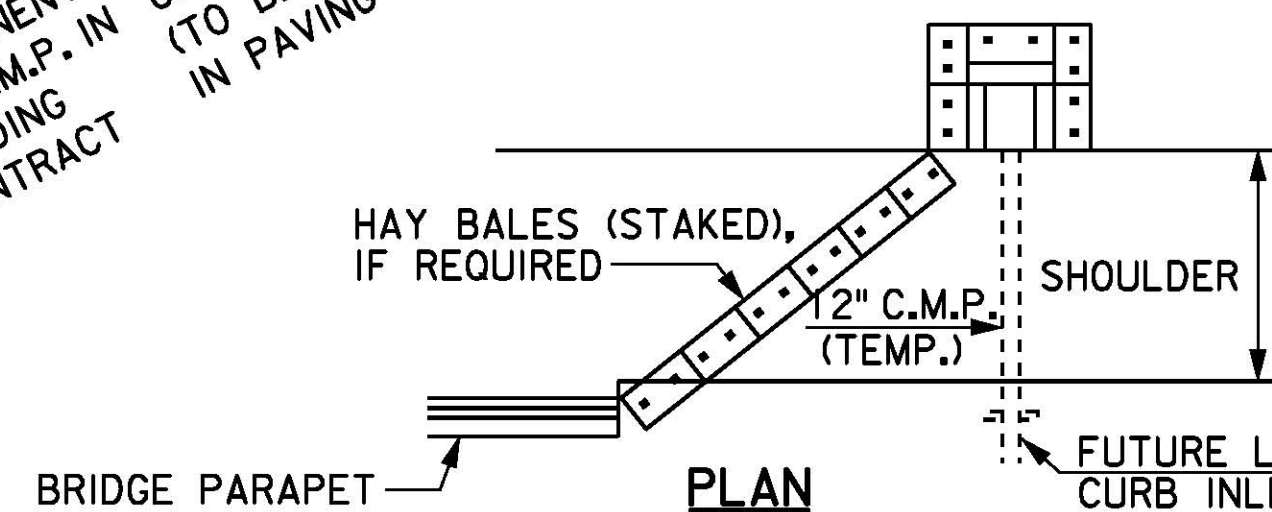


ELEVATION

TEMPORARY LOW POINT DRAINAGE AT SNOW INLETS



ELEVATION

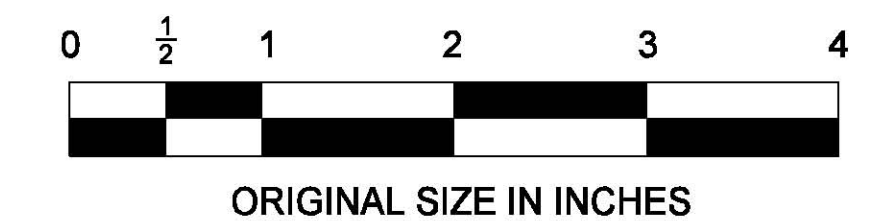


PLAN

**TEMPORARY DRAINAGE AT
FUTURE LIP CURB INLET**

NOTES:

1. SEE PLANS FOR DIMENSIONS AND PLACEMENT TYP.
2. IF CALLED FOR IN THE SUPPLEMENTAL SPECIFICATIONS, FILTER FABRIC IS TO BE USED IN LIEU OF FILTER BLANKET.



ORIGINAL SIZE IN INCHES

App.	No.	DATE	REVISION
		04/09	ORIGINAL DRAWING

CONTRACT NO.

NEW JERSEY TURNPIKE AUTHORITY

EROSION CONTROL DETAILS - 2

OFFICE OF THE CHIEF ENGINEER

2009 STANDARD DRAWING

DR-11

SHEET NO. OF