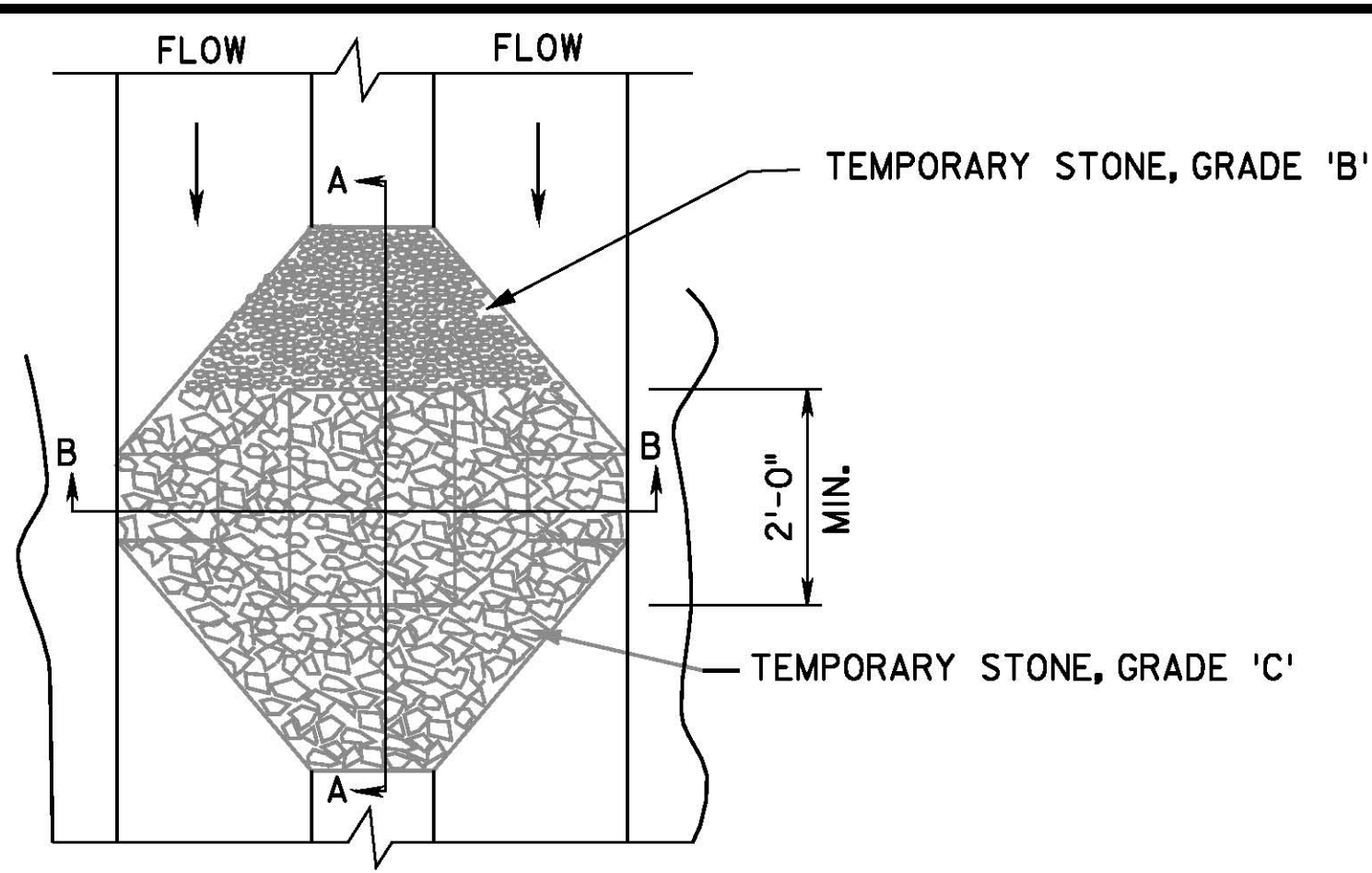
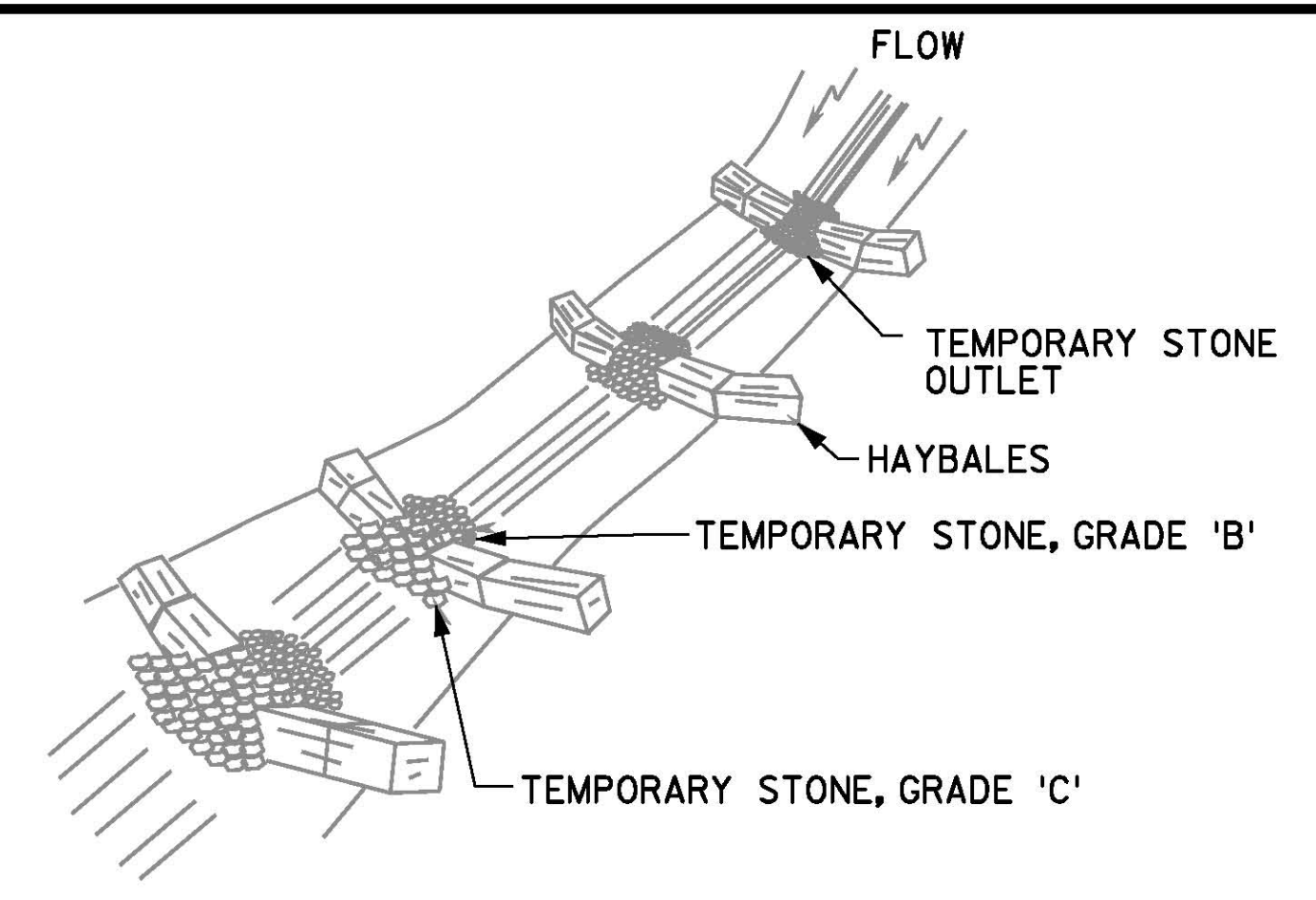


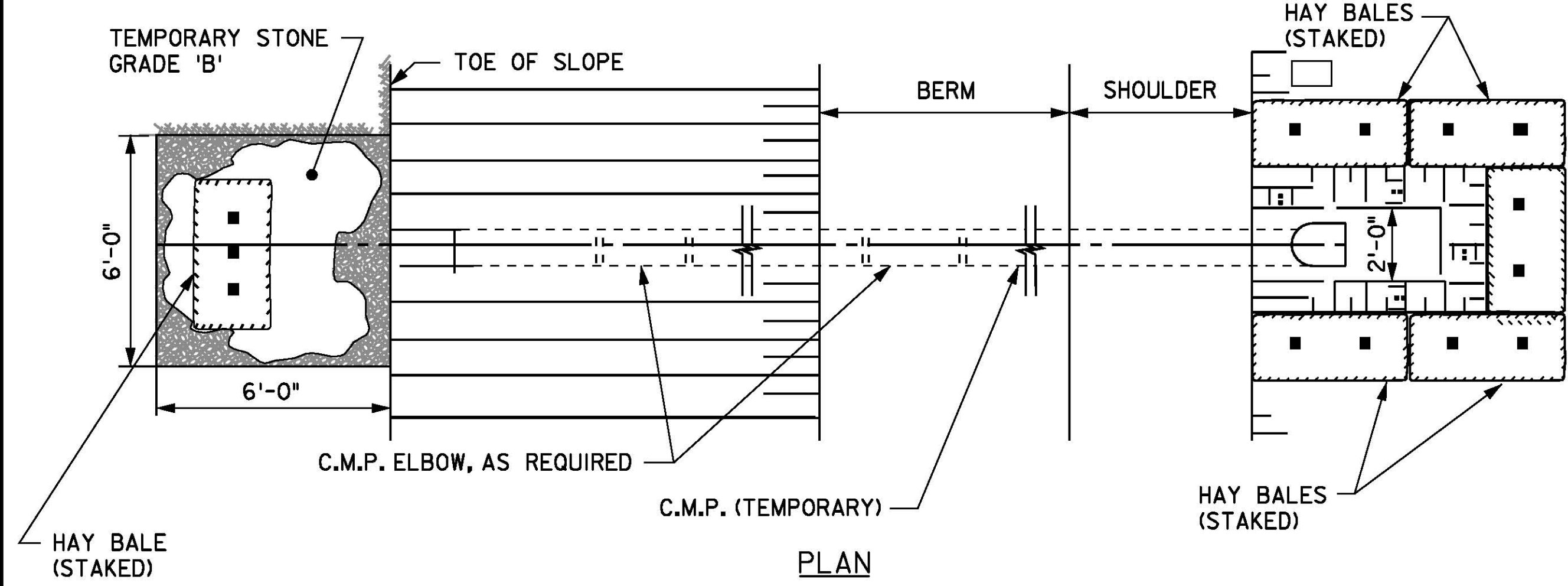
LONGITUDINAL SECTION



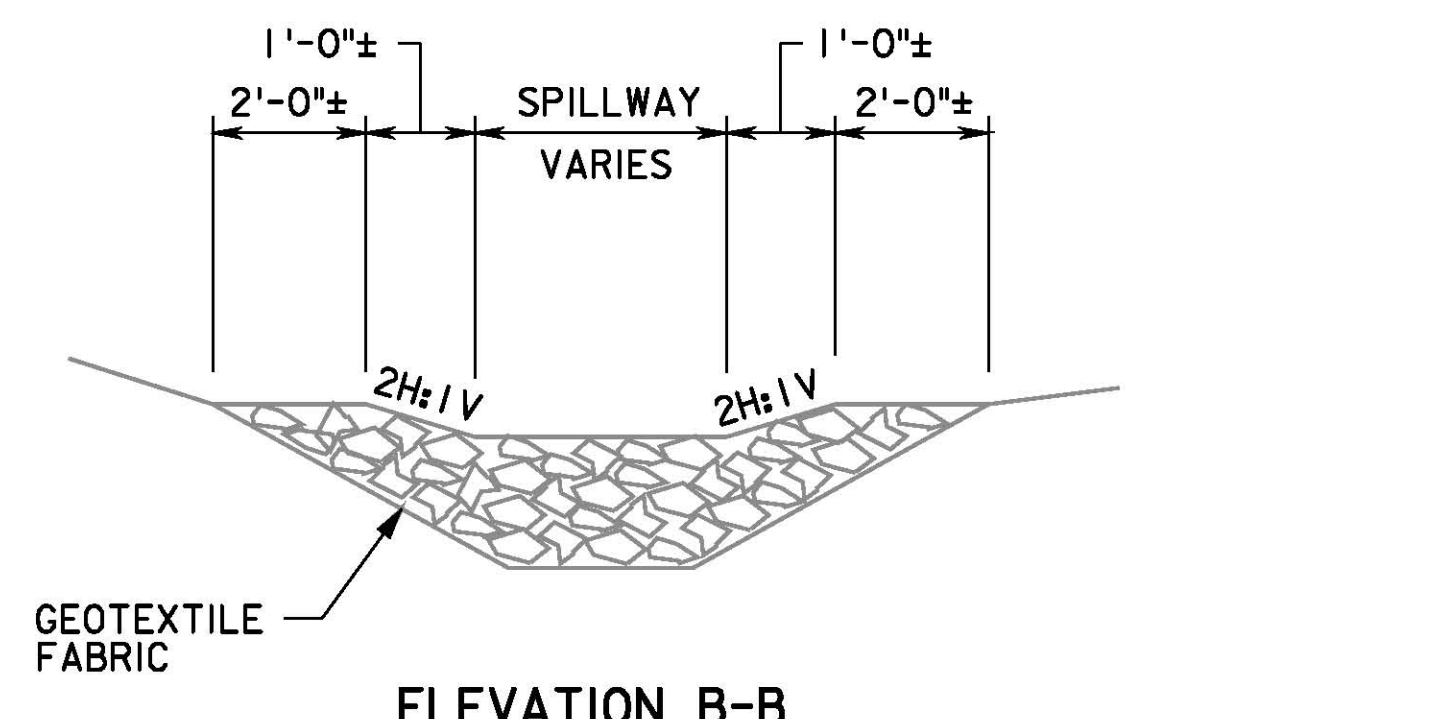
PLAN



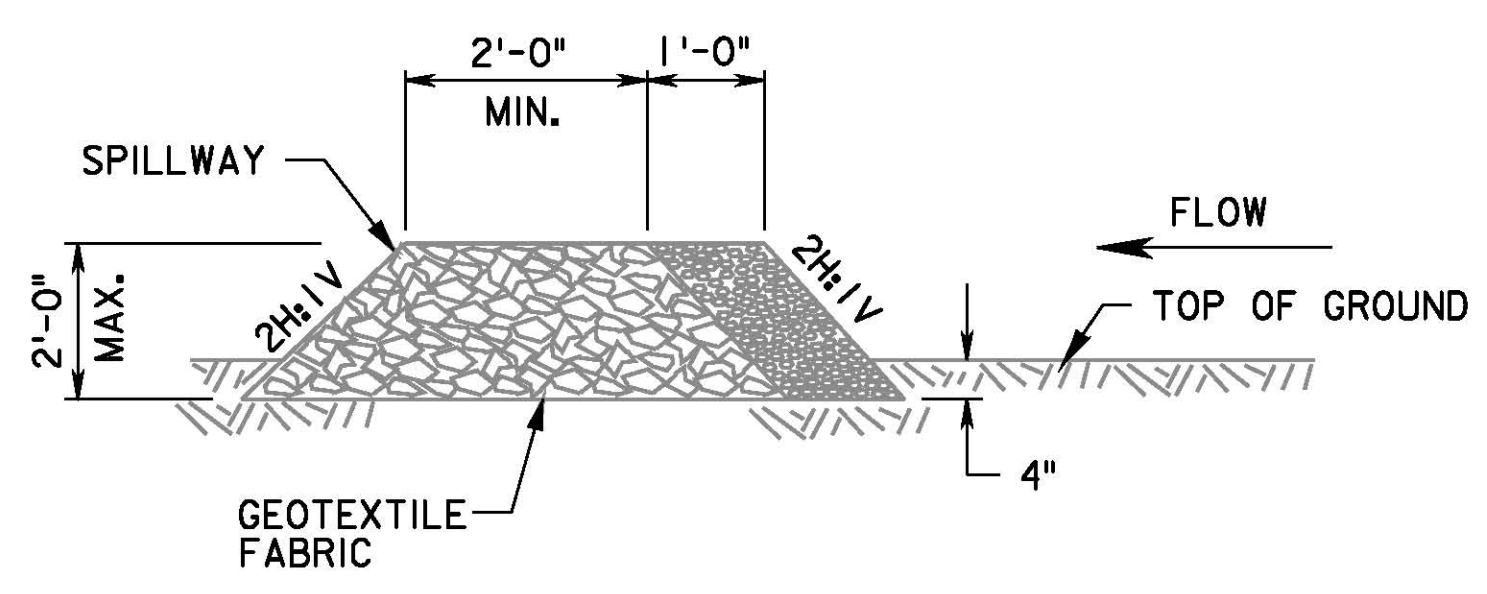
PLACEMENT AND ANCHORING DETAILS



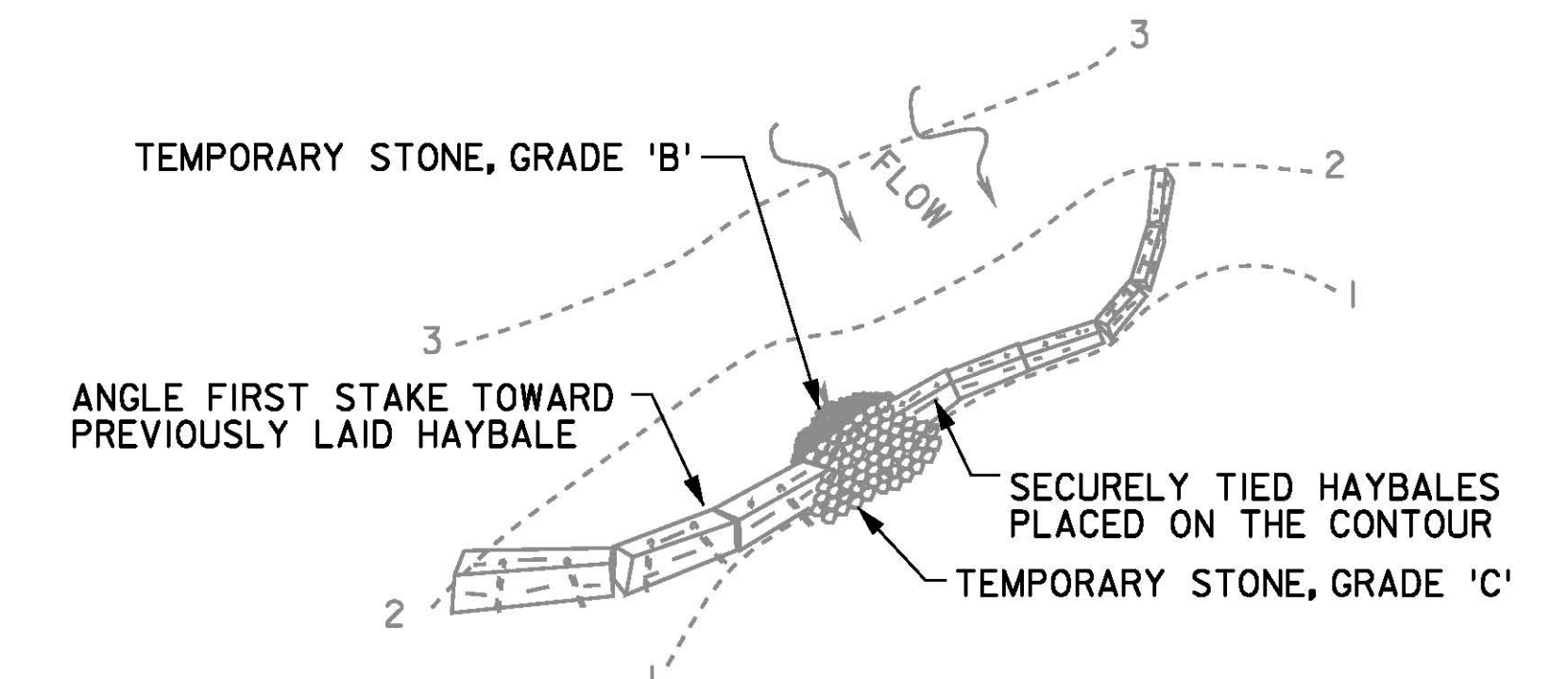
TYPICAL APPLICATION OF TEMPORARY HAY BALES AND SLOPE DRAIN



ELEVATION B-B

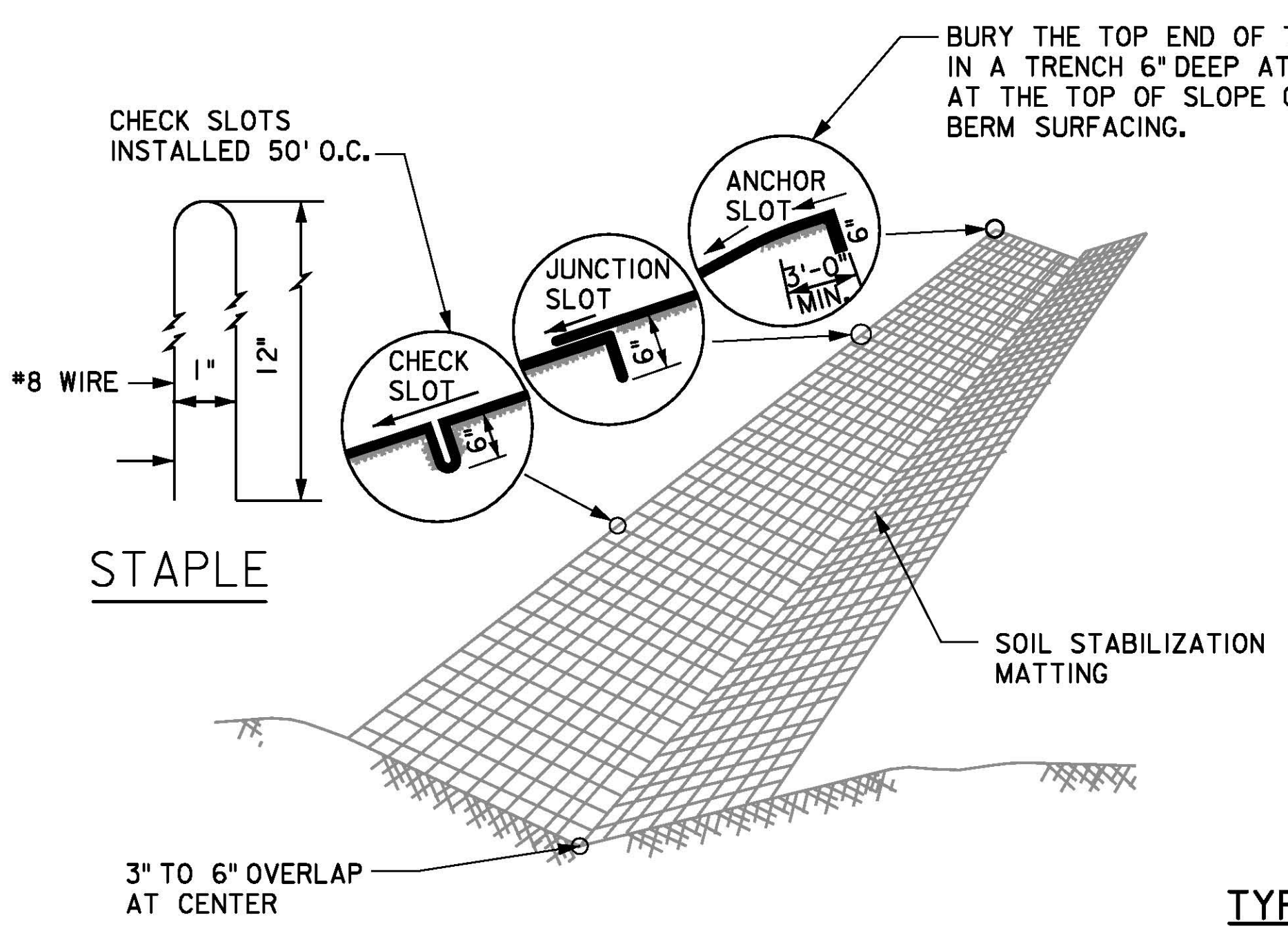
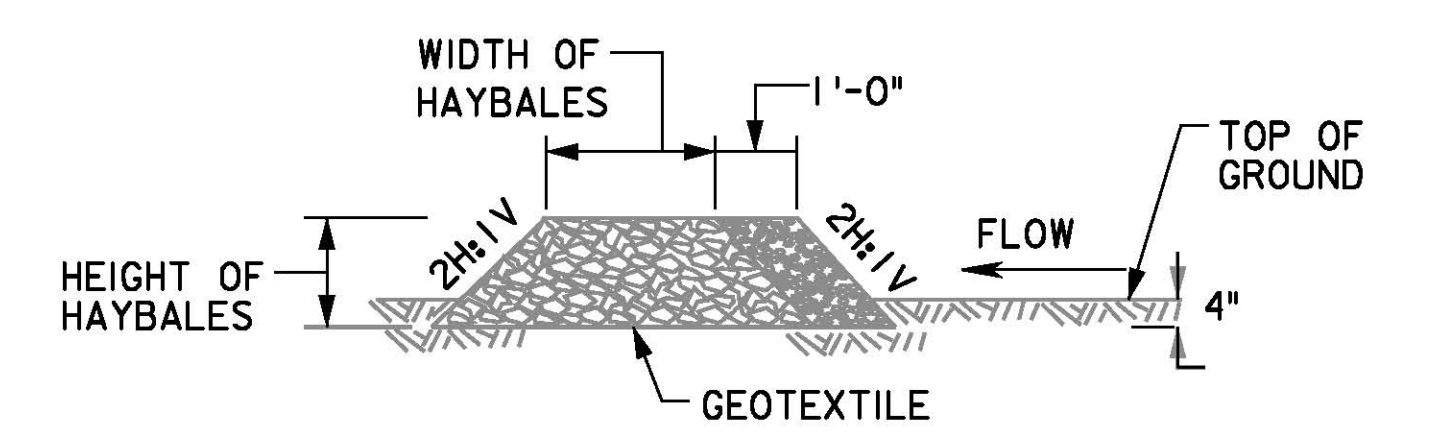


ELEVATION A-A

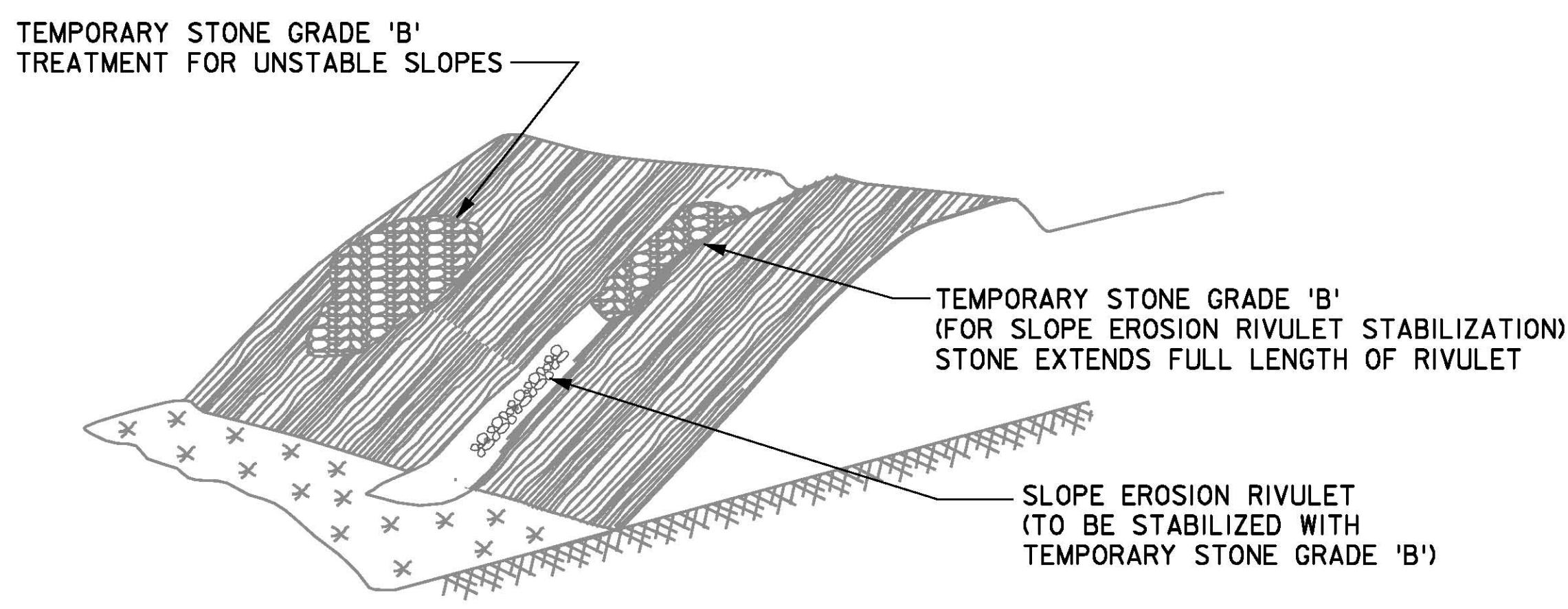


**STONE OTULET SECTION DETAIL
HAYBALE CHECK DAM WITH TEMPORARY STONE OUTLET**

STONE CHECK DAM

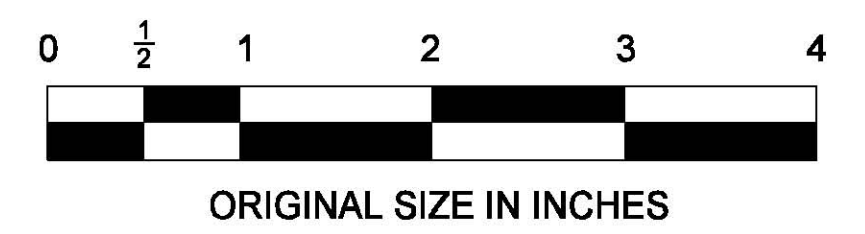


**TYPICAL INSTALLATION METHOD FOR
SOIL STABILIZATION MATTING**



**TYPICAL INTERIM SLOPE STABILIZATION AND
EROSION CONTROL MEASURES USING
TEMPORARY STONE, GRADE 'B''**

NOTE:
HAY BALE STAKES TO BE EMBEDDED 1'
MIN. INTO EXISTING GROUND.



| | | | |
|------|-----|-------|------------------|
| App. | No. | DATE | REVISION |
| | | 04/09 | ORIGINAL DRAWING |

NEW JERSEY TURNPIKE AUTHORITY

EROSION CONTROL DETAILS - 1

OFFICE OF THE CHIEF ENGINEER

2009 STANDARD DRAWING

DR-10

CONTRACT NO.

SHEET NO. OF