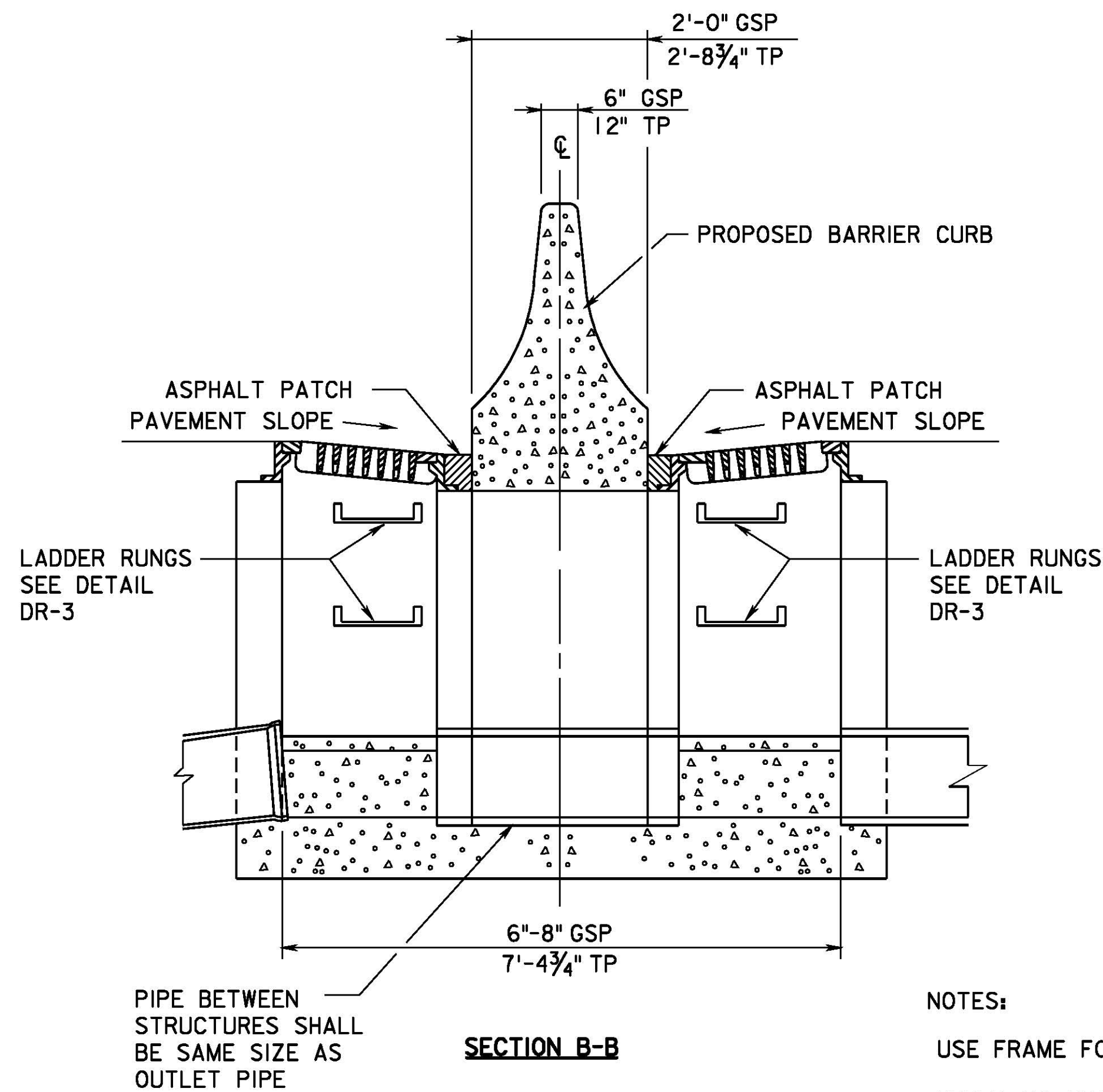
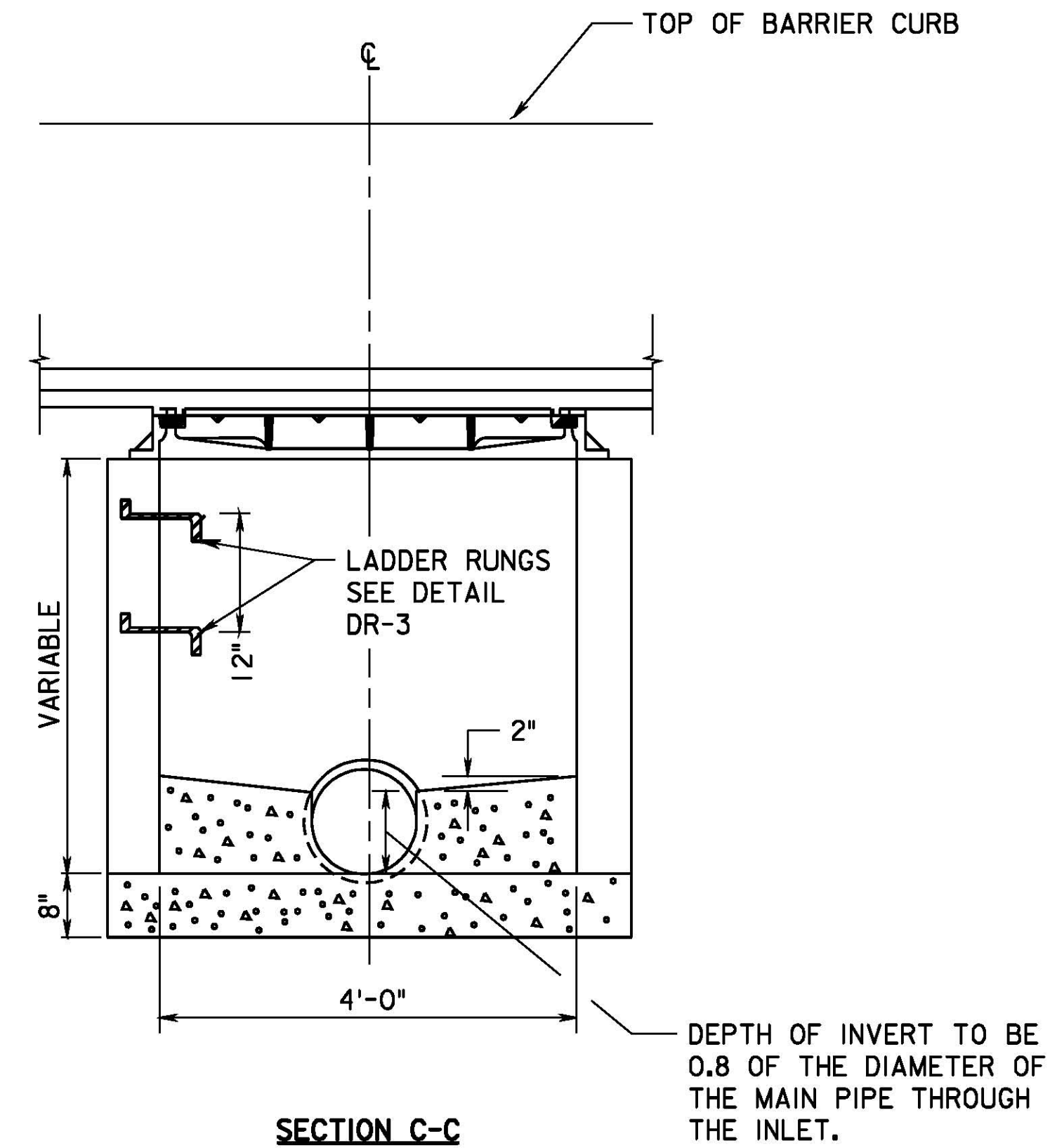


SECTION A-A

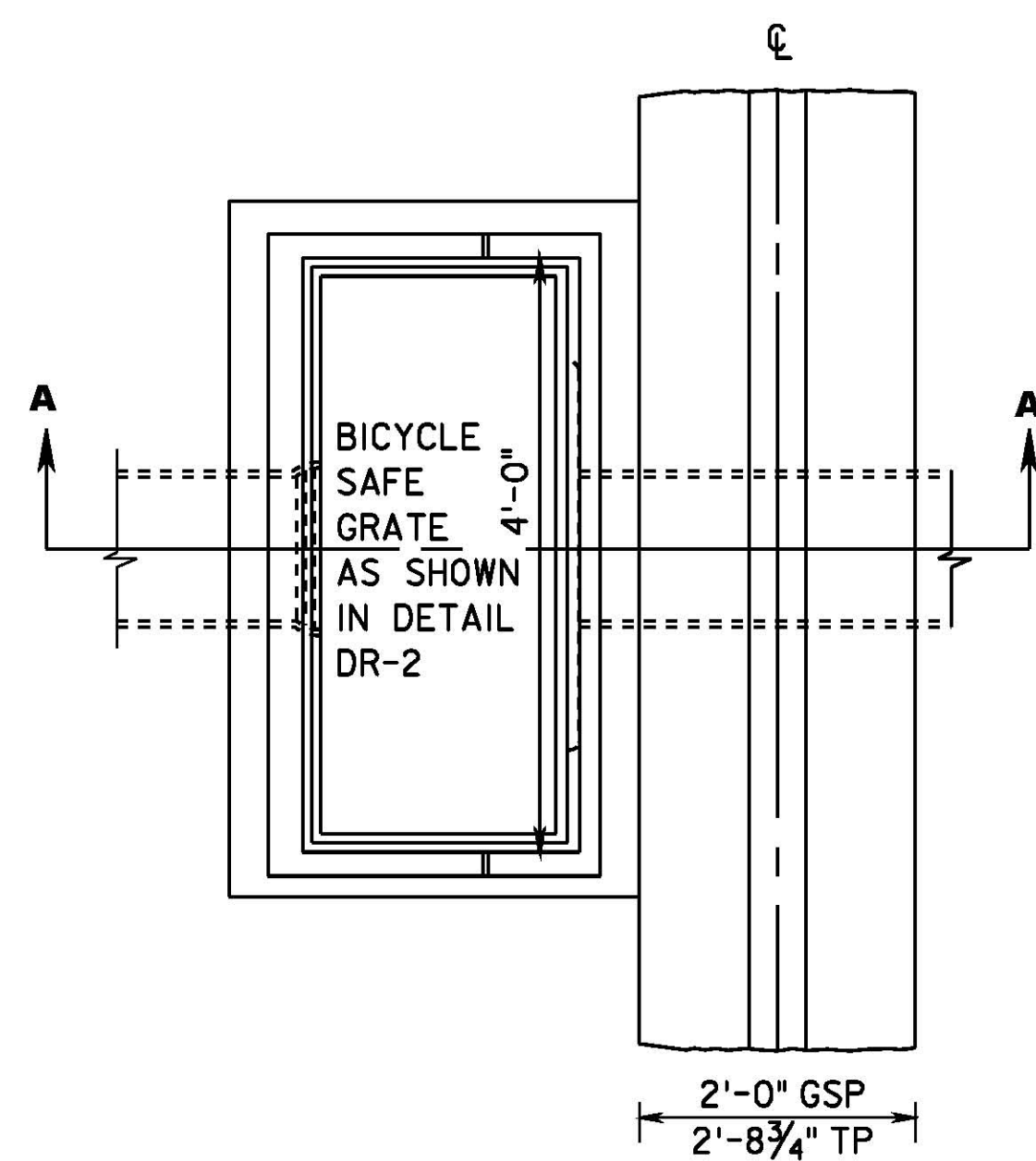


SECTION B-B

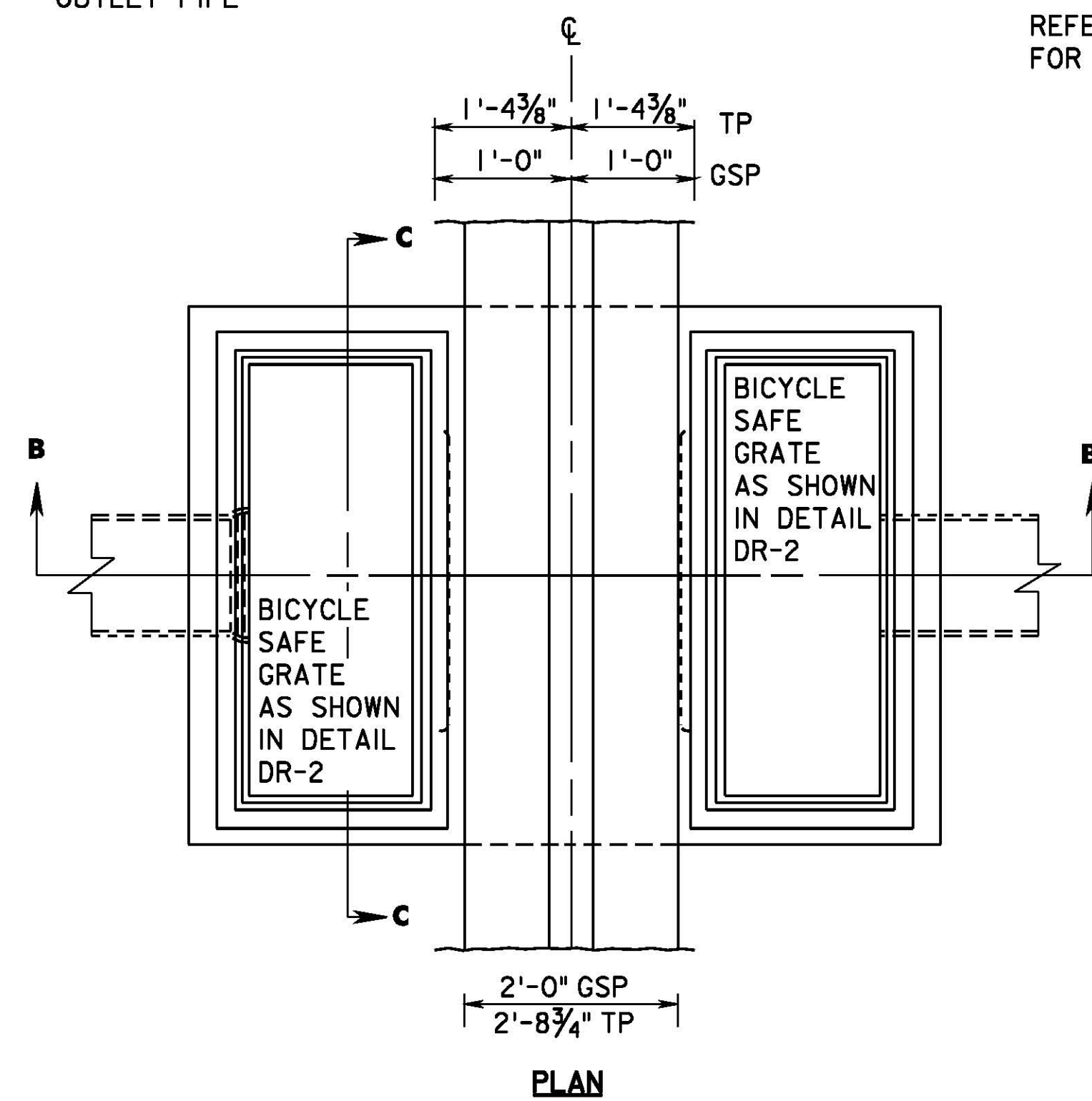


SECTION C-C

NOTES:
 USE FRAME FOR INLET, TYPE G1.
 REFER TO STANDARD DETAIL MB-1 FOR BARRIER REINFORCEMENT



INLETS TYPE D-4



INLETS TYPE D-5



App.	No.	DATE	REVISION
		04/09	ORIGINAL DRAWING

NEW JERSEY TURNPIKE AUTHORITY

BARRIER CURB INLET DETAILS

OFFICE OF THE CHIEF ENGINEER 2009 STANDARD DRAWING

DR-7