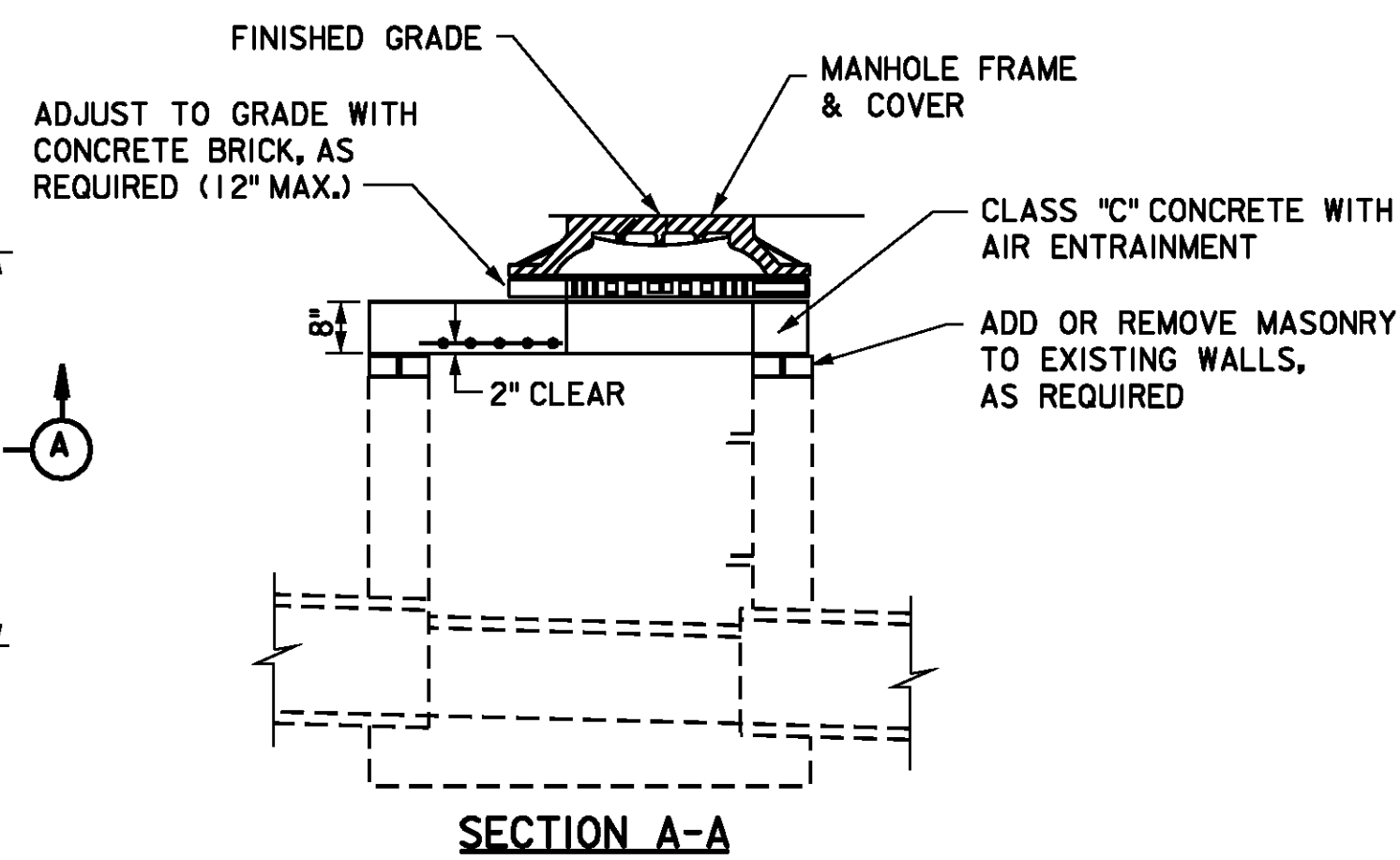


PLAN

CONVERTING EXISTING INLET TO MANHOLE



SECTION A-A

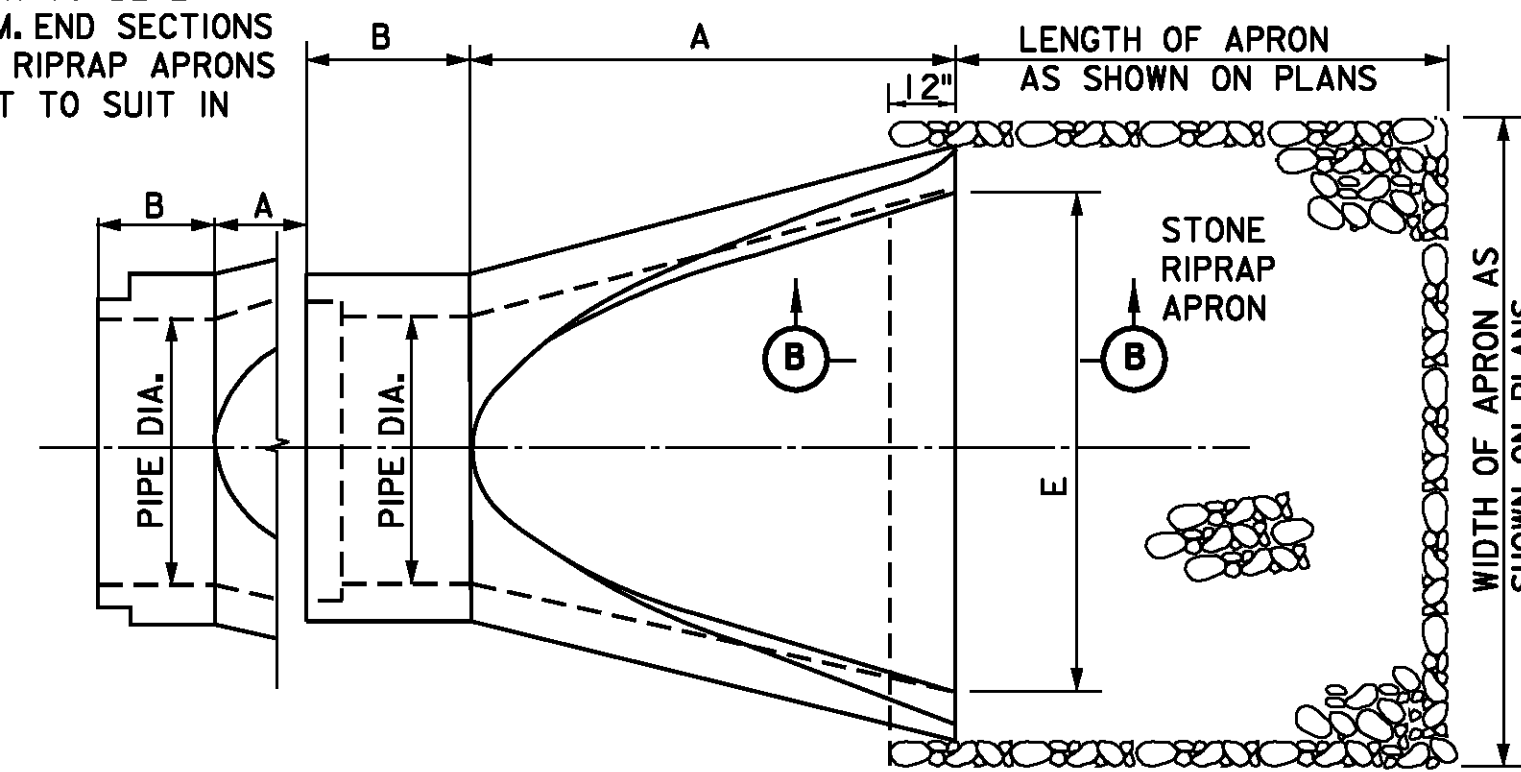
PIPE DIA.	GO (MIN)	DIMENSIONS						SLOPE	BODY
		A	B	H*	L	W			
12"	16	6	6	6	21	24	2 1/2	1 Pc	
15"	16	7	8	6	26	30	2 1/2	1 Pc	
18"	16	8	10	6	31	36	2 1/2	1 Pc	
24"	16	10	13	6	41	48	2 1/2	1 Pc	
30"	14	12	16	8	51	60	2 1/2	2 Pc	
36"	14	14	19	9	60	72	2 1/2	2 Pc	
42"	12	16	22	11	69	84	2 1/2	2 Pc	
48"	12	18	27	12	78	90	2 1/4	2 Pc	
54"	12	18	30	12	84	102	2	2 Pc	
60"	10	18	33	12	87	114	1 3/4	3 Pc	
66"	10	18	36	12	87	120	1 1/2	3 Pc	
72"	10	18	39	12	87	126	1 1/3	3 Pc	

CIRCULAR PIPE END SECTIONS

SPAN RISE	GO (MIN)	DIMENSIONS						SLOPE	BODY
		A	B	H*	L	W			
18"x11"	16	7	9	6	19	30	2 1/2	1 Pc	
22"x13"	16	7	10	6	23	36	2 1/2	1 Pc	
25"x16"	16	8	12	6	28	42	2 1/2	1 Pc	
29"x18"	14	9	14	6	32	48	2 1/2	1 Pc	
36"x22"	14	10	16	6	39	60	2 1/2	1 Pc	
43"x27"	14	12	18	8	46	75	2 1/2	1 Pc	
50"x31"	12	13	21	9	53	85	2 1/2	2 Pc	
58"x36"	12	18	26	12	63	90	2 1/2	2 Pc	
65"x40"	12	18	30	12	70	102	2 1/4	2 Pc	
72"x44"	10	18	33	12	77	114	2 1/4	3 Pc	
79"x49"	8	18	36	12	77	126	2	3 Pc	
85"x54"	8	18	39	12	77	138	2	3 Pc	

ARCH PIPE END SECTIONS

*DIMENSIONS H TO BE 2" FOR ALL C.M. END SECTIONS WITH STONE RIPRAP APRONS (MAY BE CUT TO SUIT IN THE FIELD)



DESIGN AND WALL THICKNESS SHALL CONFORM TO REQUIREMENTS FOR CONNECTING PIPE.

FLARED END SECTION FOR CONCRETE PIPE

PIPE DIA.	A	B	C	E
12"	24"	24"	5"	24"
15"	24"	24"	7 1/2"	28"
18"	24"	24"	9"	34"
24"	24"	24"	10"	48"
30"	30"	26"	14"	60"
36"	36"	26"	14"	72"
42"	60"	36"	21"	78"
48"	60"	36"	24"	84"
54"	60"	36"	27"	90"
60"	60"	36"	31"	96"
72"	63"	36"	36"	108"

C- DIMENSION IS VERTICAL HEIGHT OF SECTION AT END OF FLARE.

TABLE OF DIMENSIONS FLARED END SECTIONS FOR CONCRETE PIPE

NOTES:

- LADDER, RUNGS TO BE PROVIDED IN ALL DROP INLETS OVER 4' DEEP.
- FRAMES TO BE RESET IN A FULL BED OF STIFF MORTAR.
- STONE RIPRAP APRONS ARE REQ'D. WITH FLARED END SECTIONS FOR ALL PIPES LARGER THAN 18" DIAMETER, AND WHERE SPECIFIED ON THE PLANS.
- C.M. FLARED END SECTIONS SPECIFIED WITHOUT STONE RIPRAP APRONS SHALL BE FURNISHED WITH TOE PLATE EXTENSIONS.



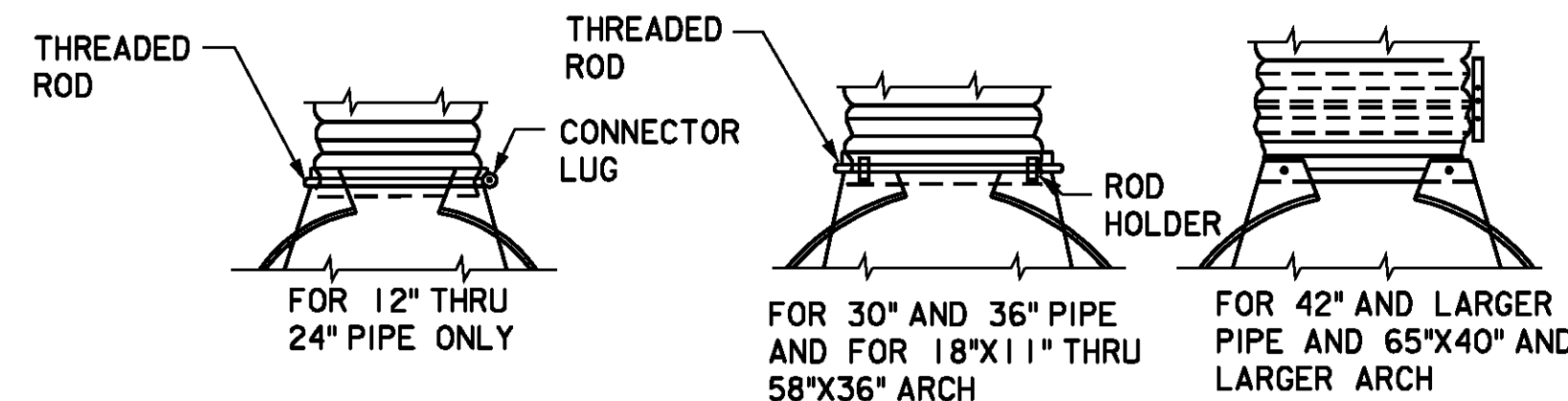
NEW JERSEY TURNPIKE AUTHORITY

ALTERATIONS OF MANHOLES, INLETS AND MISCELLANEOUS DETAILS

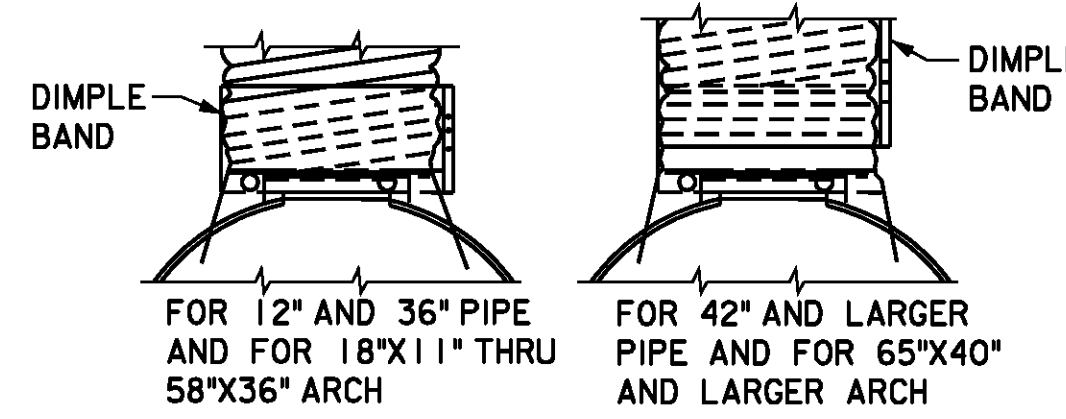
OFFICE OF THE CHIEF ENGINEER

2009 STANDARD DRAWING

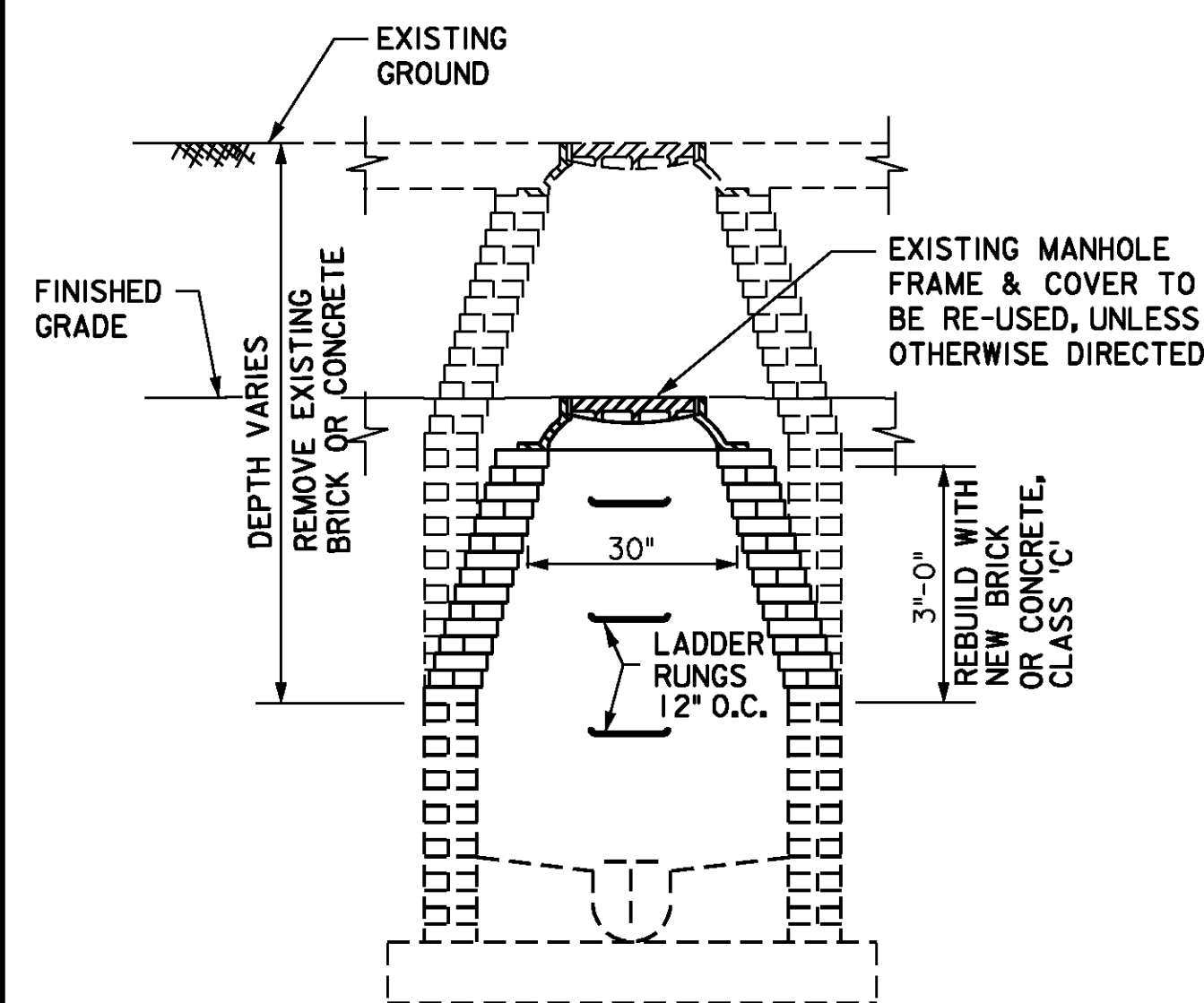
DR-4



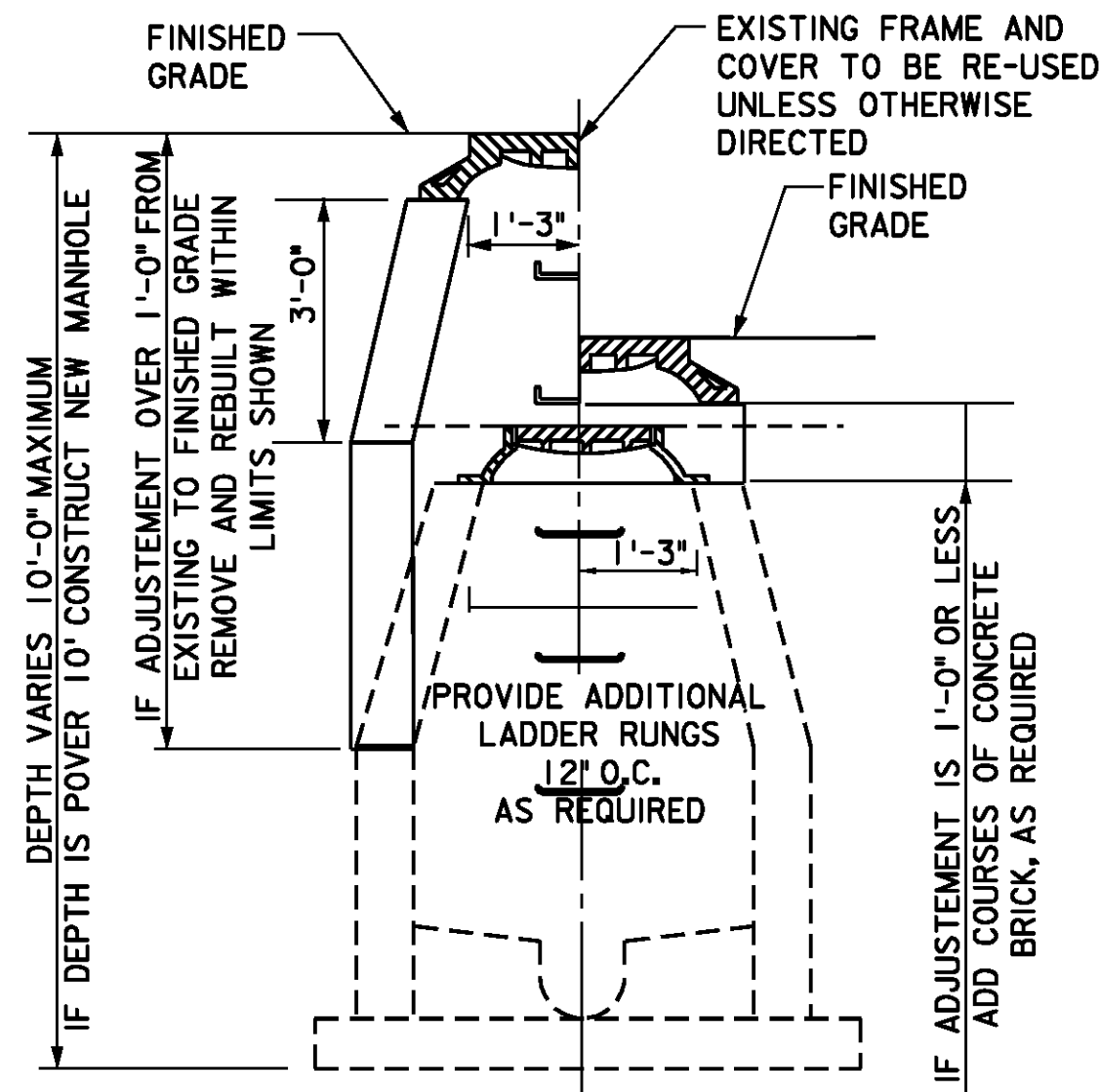
CONNECTIONS FOR RIVETED PIPE



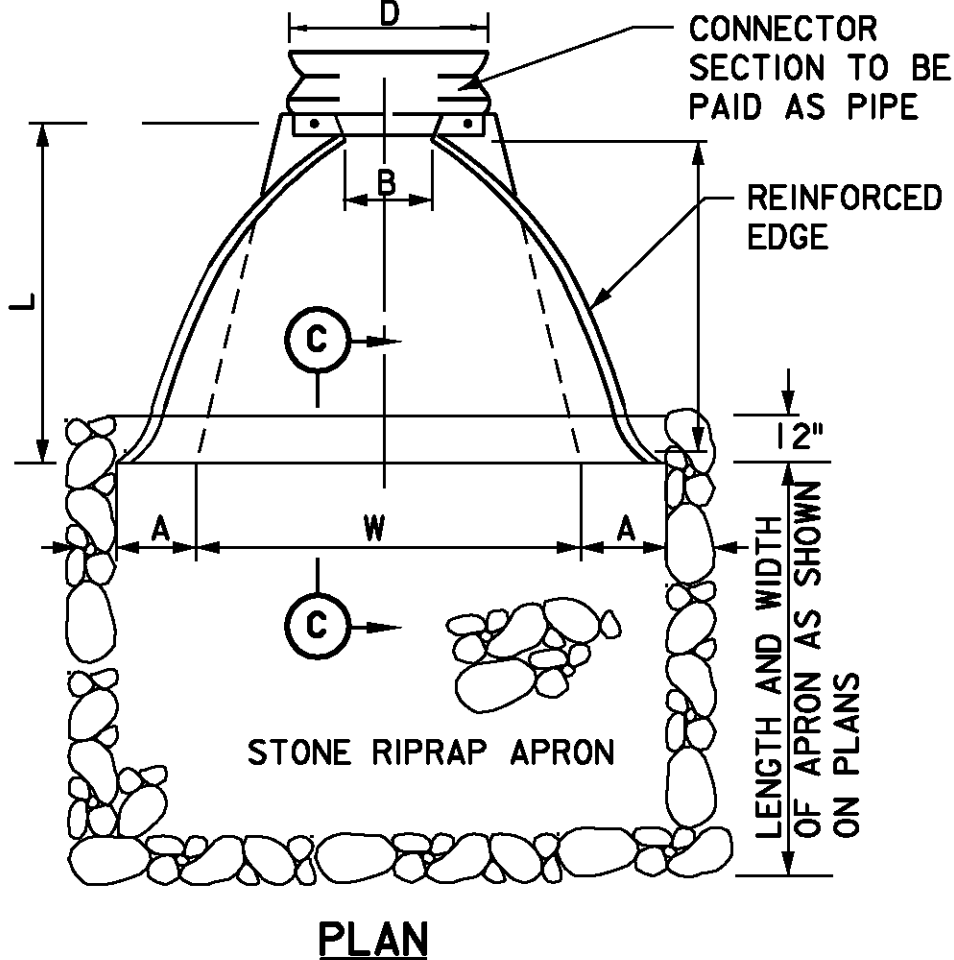
CONNECTIONS FOR HELICALLY CORRUGATED PIPE



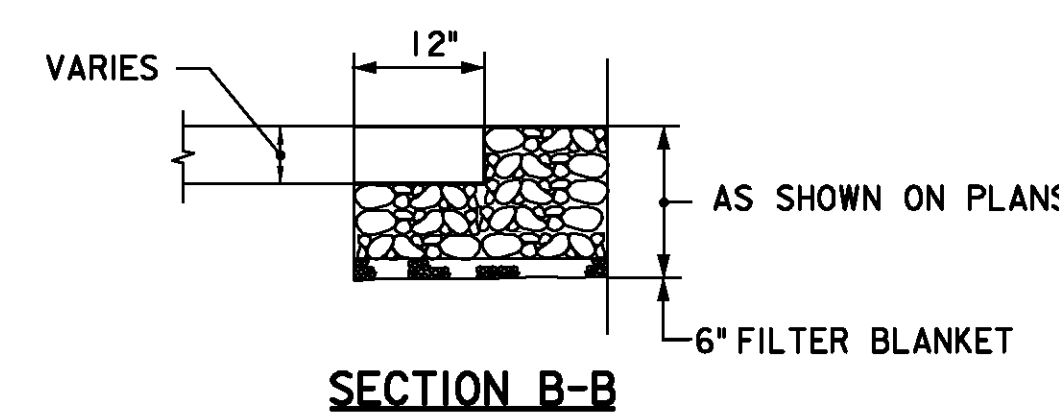
LOWERING EXISTING MANHOLE



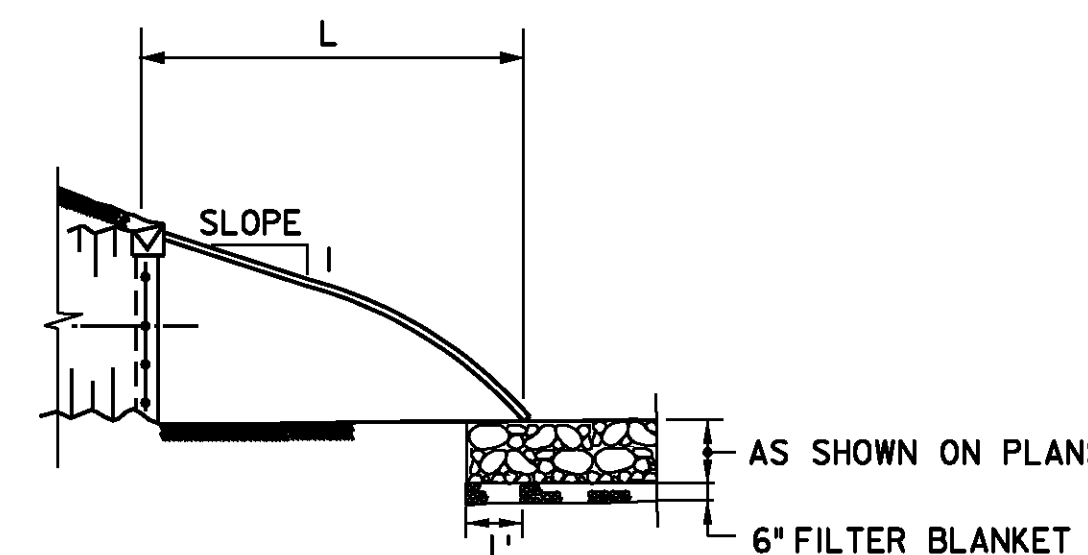
RAISING EXISTING MANHOLE



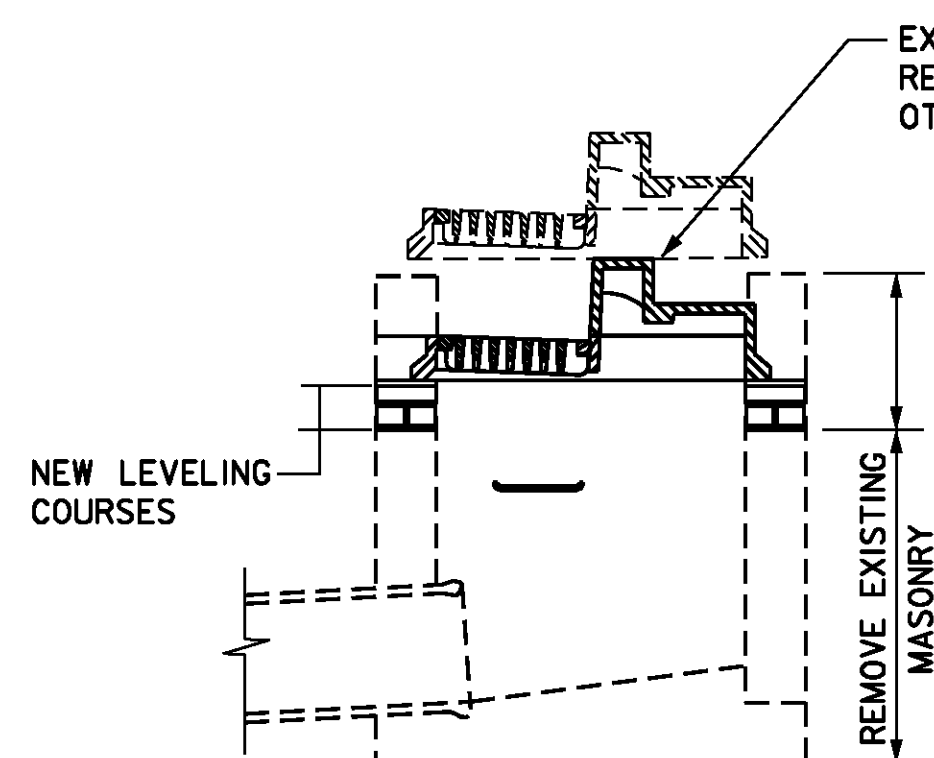
PLAN



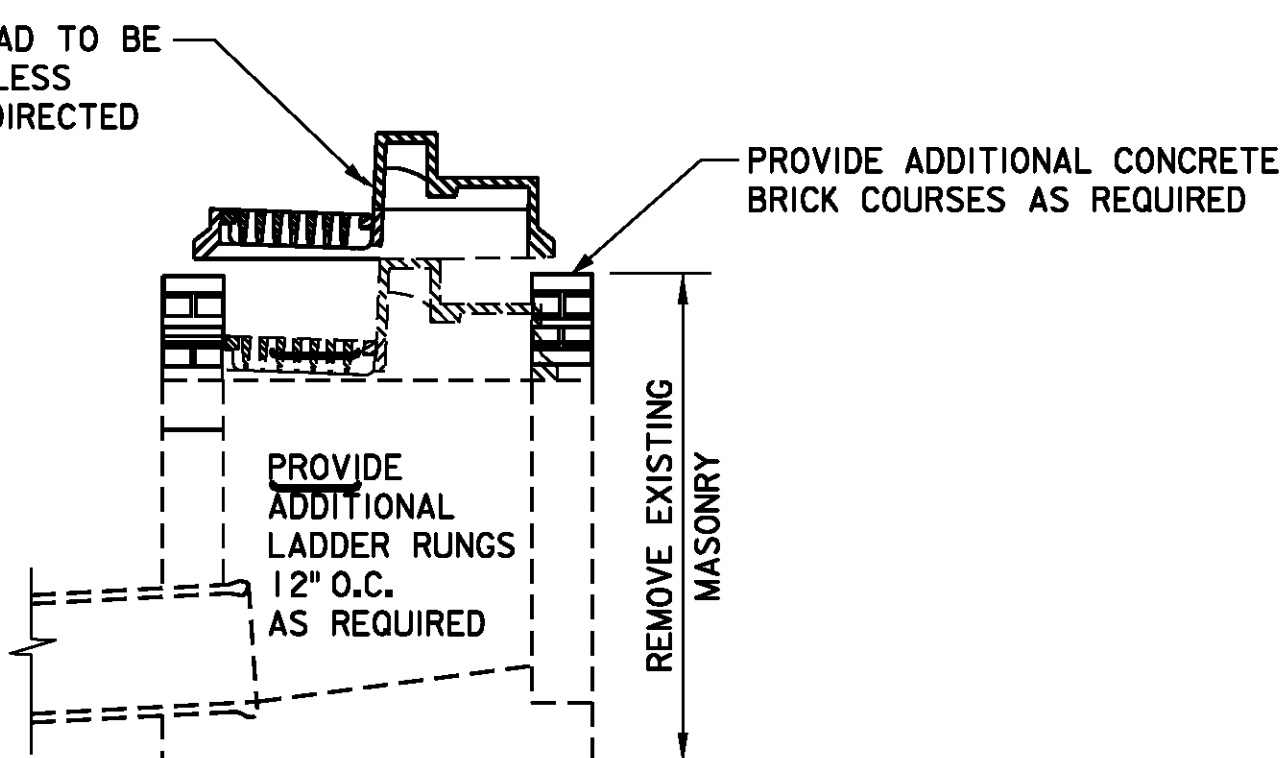
SECTION B-B



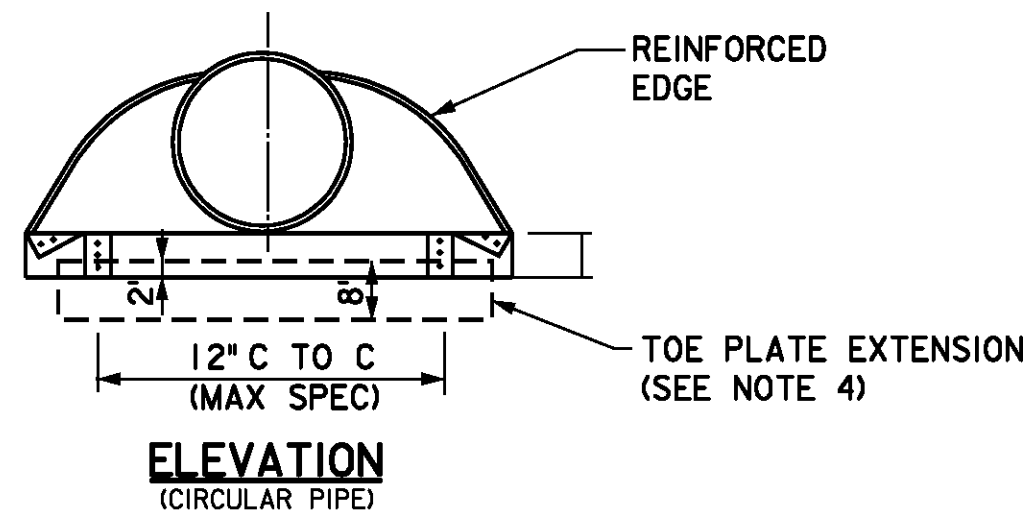
SECTION C-C



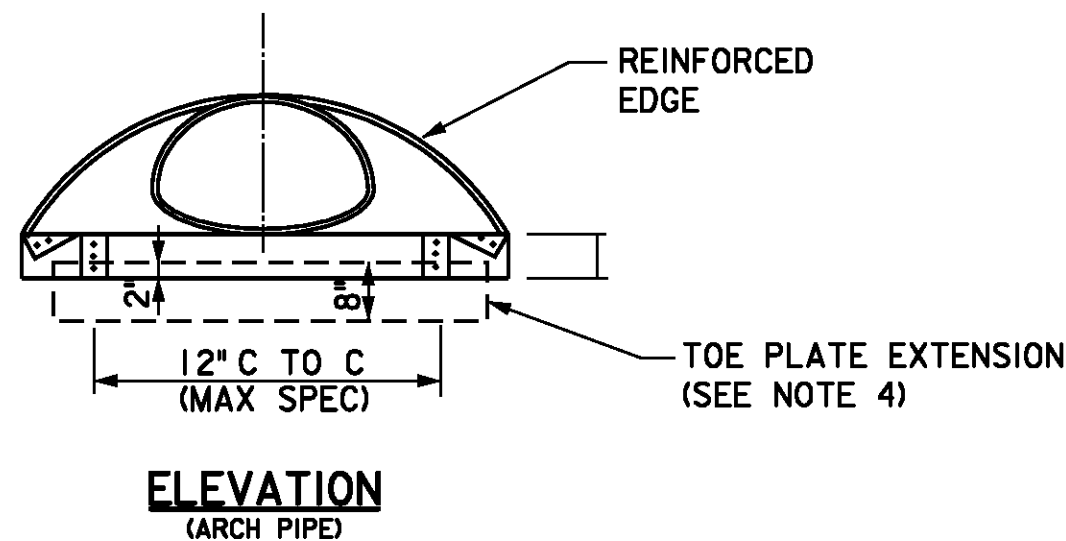
LOWERING EXISTING INLET



RAISING EXISTING INLET

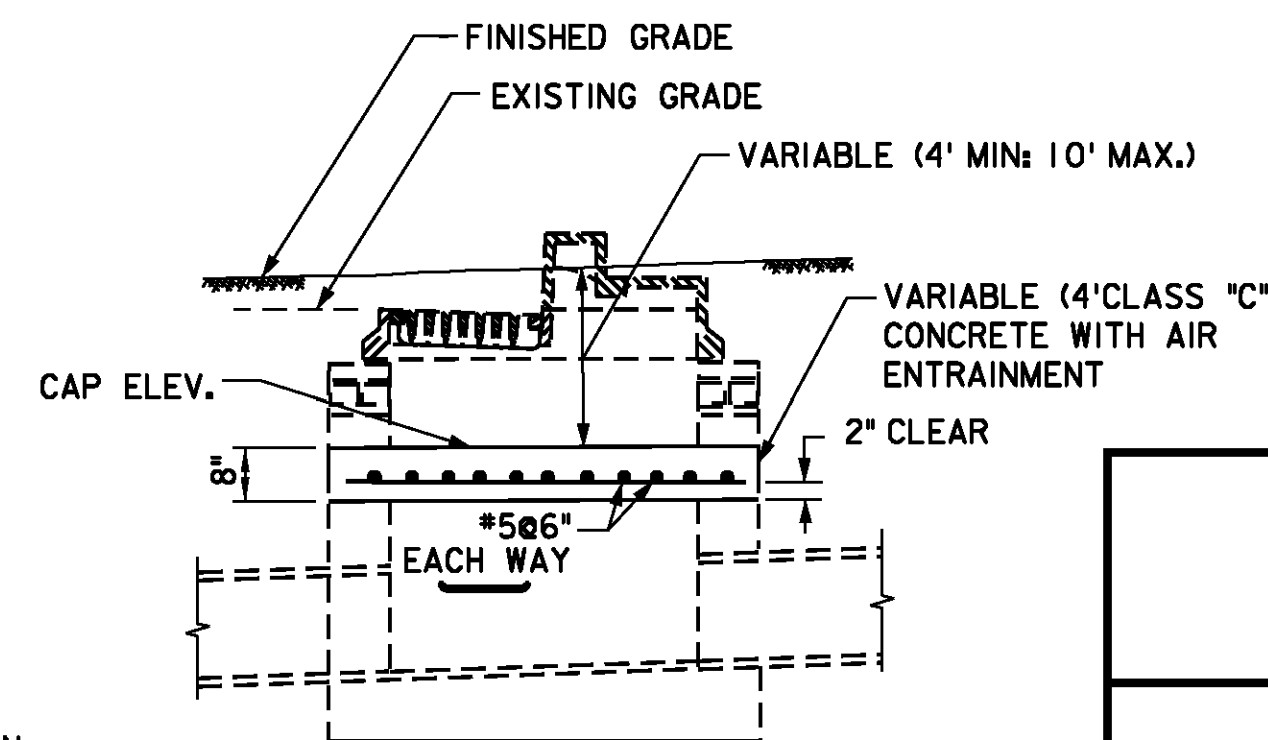


ELEVATION (CIRCULAR PIPE)



ELEVATION (ARCH PIPE)

FLARED END SECTIONS FOR CORRUGATED METAL PIPES



CAPPING EXISTING DRAINAGE STRUCTURE

NOTE: MANHOLES TO BE CAPPED IN A SIMILAR MANNER

App. No.	DATE	REVISION
	04/09	ORIGINAL DRAWING

CONTRACT NO.

SHEET NO.

OF