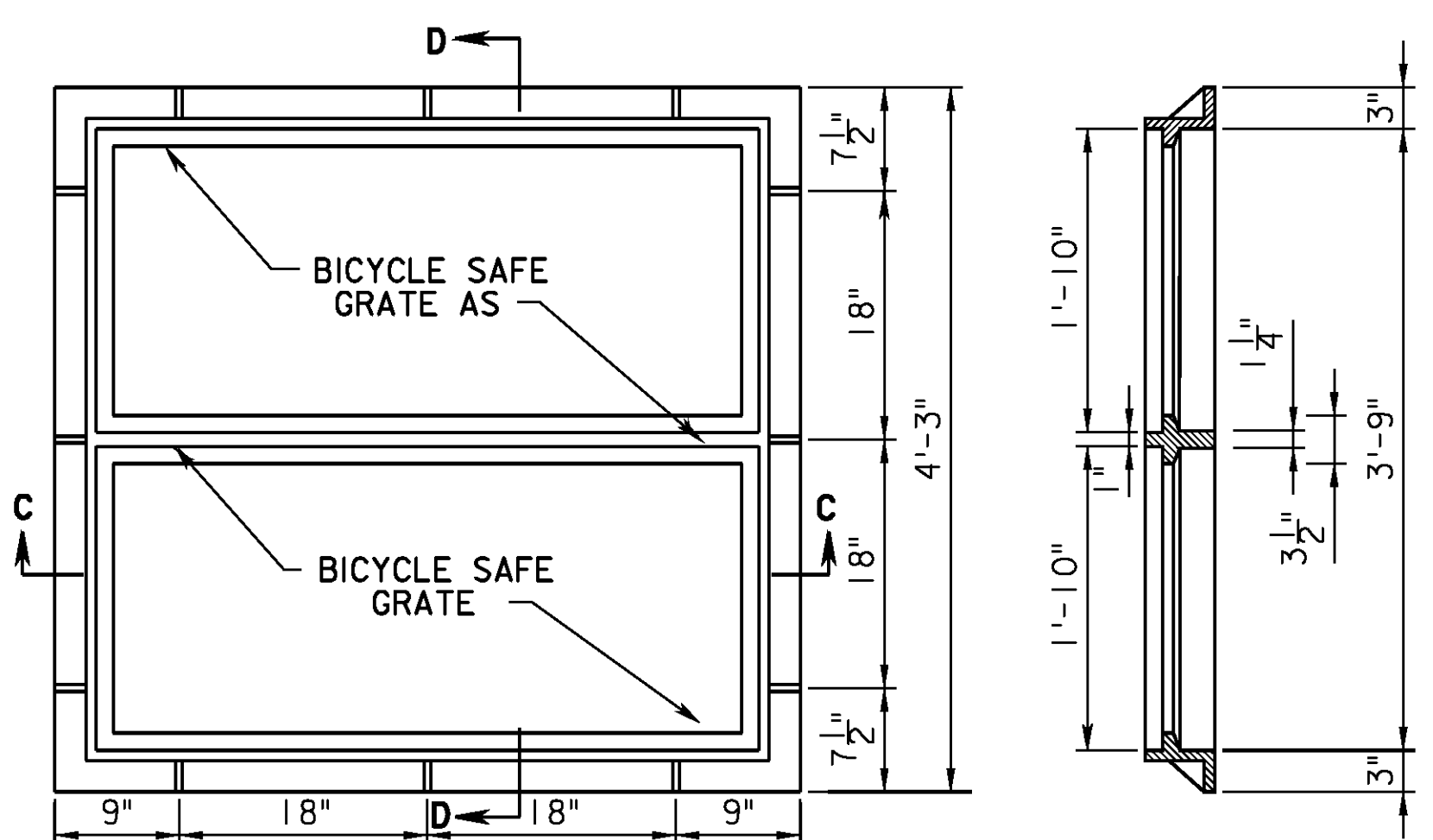
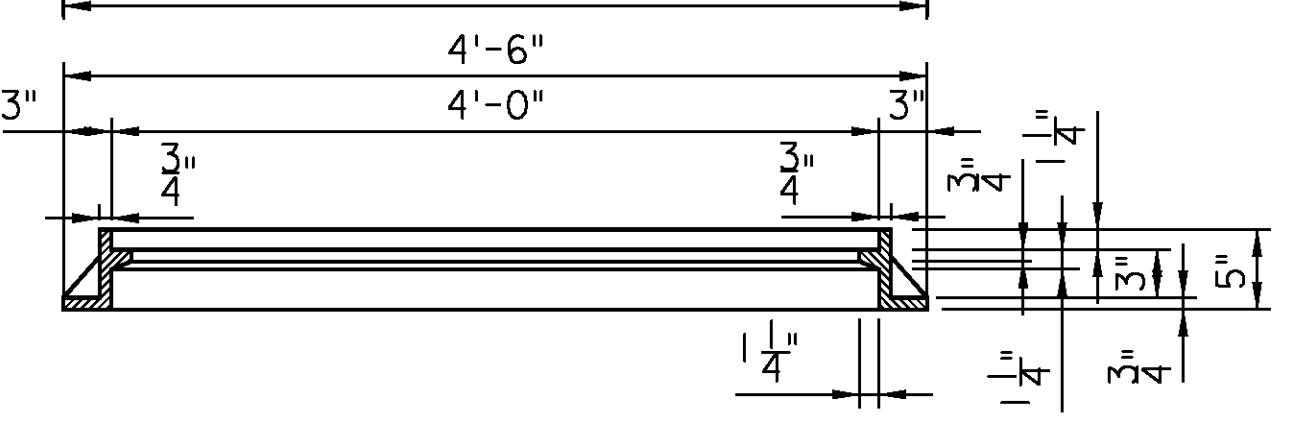


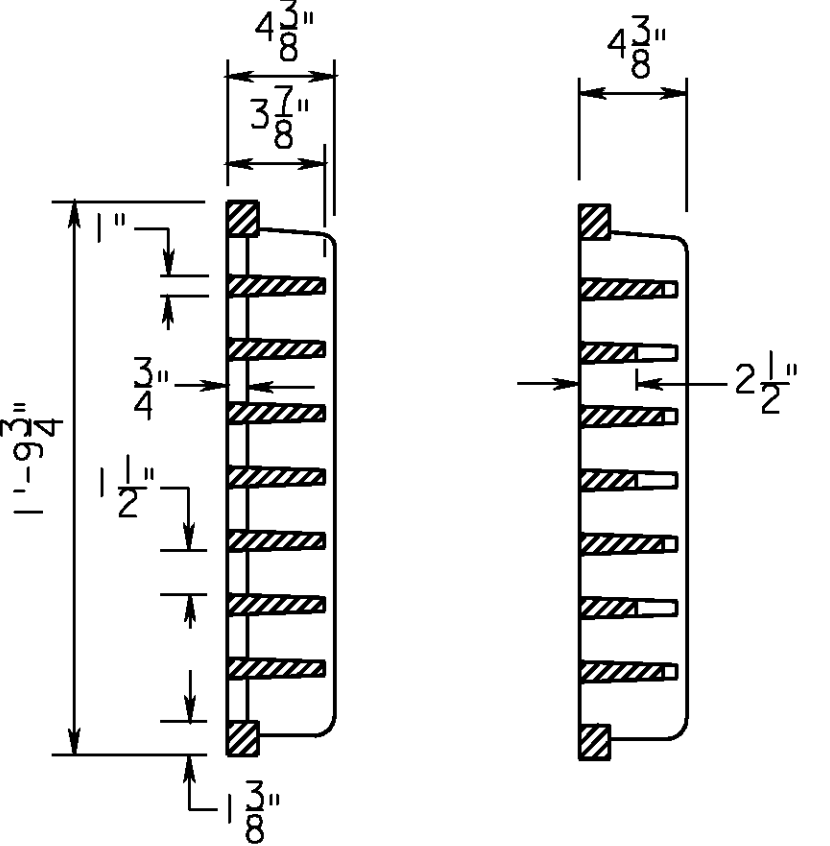
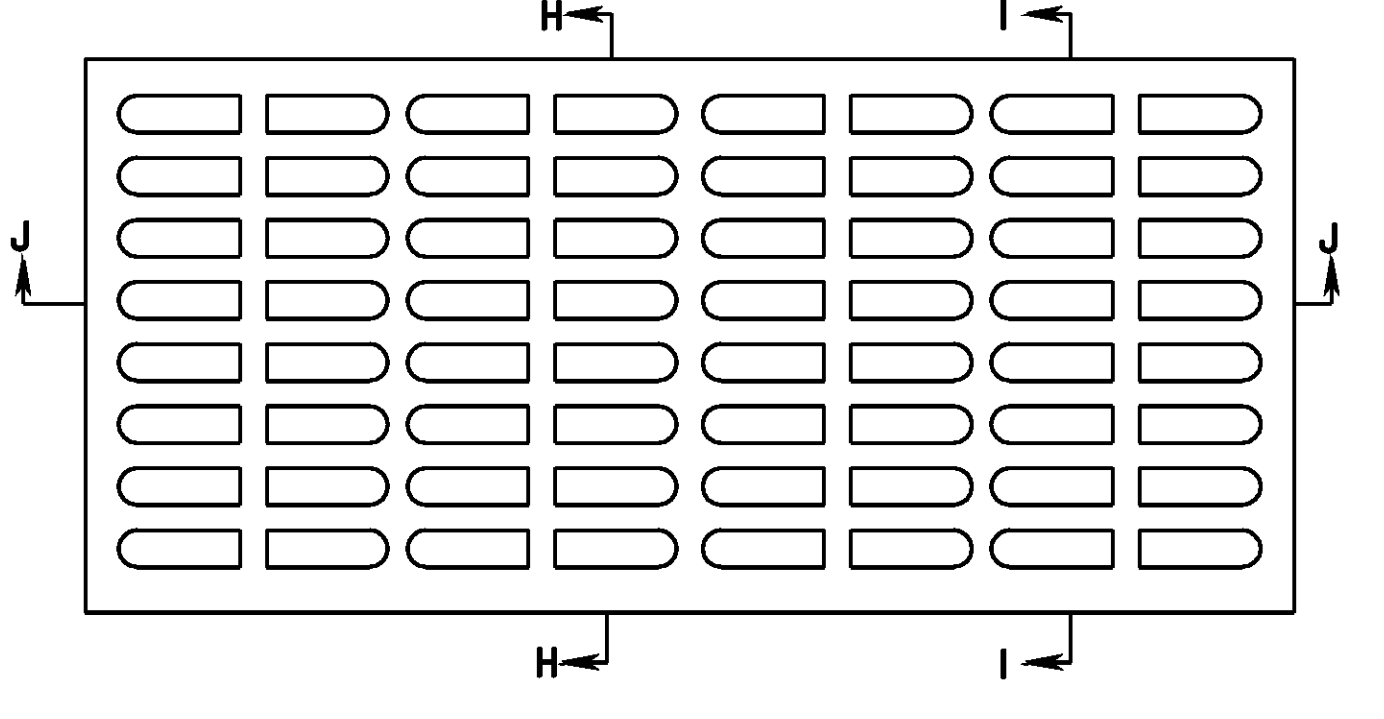
FRAME FOR INLETS, TYPE G1
(FOR USE WITH DROP INLET D1)



SECTION D-D

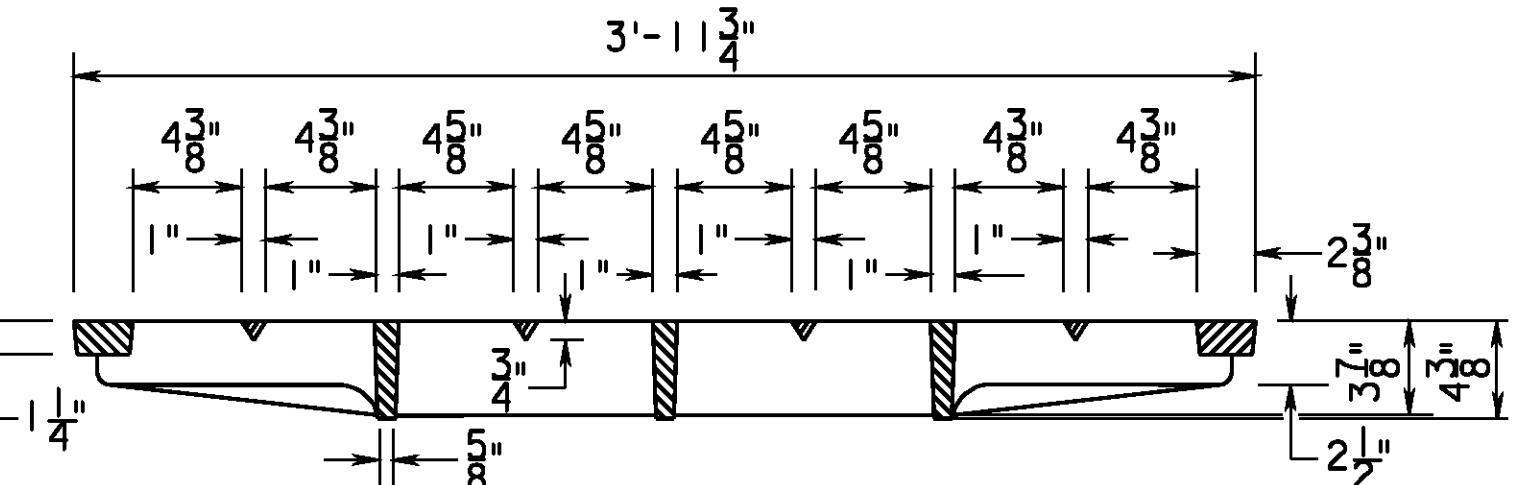


SECTION C-C
FRAME FOR INLETS, TYPE G-2
(FOR USE WITH DROP INLET D2)



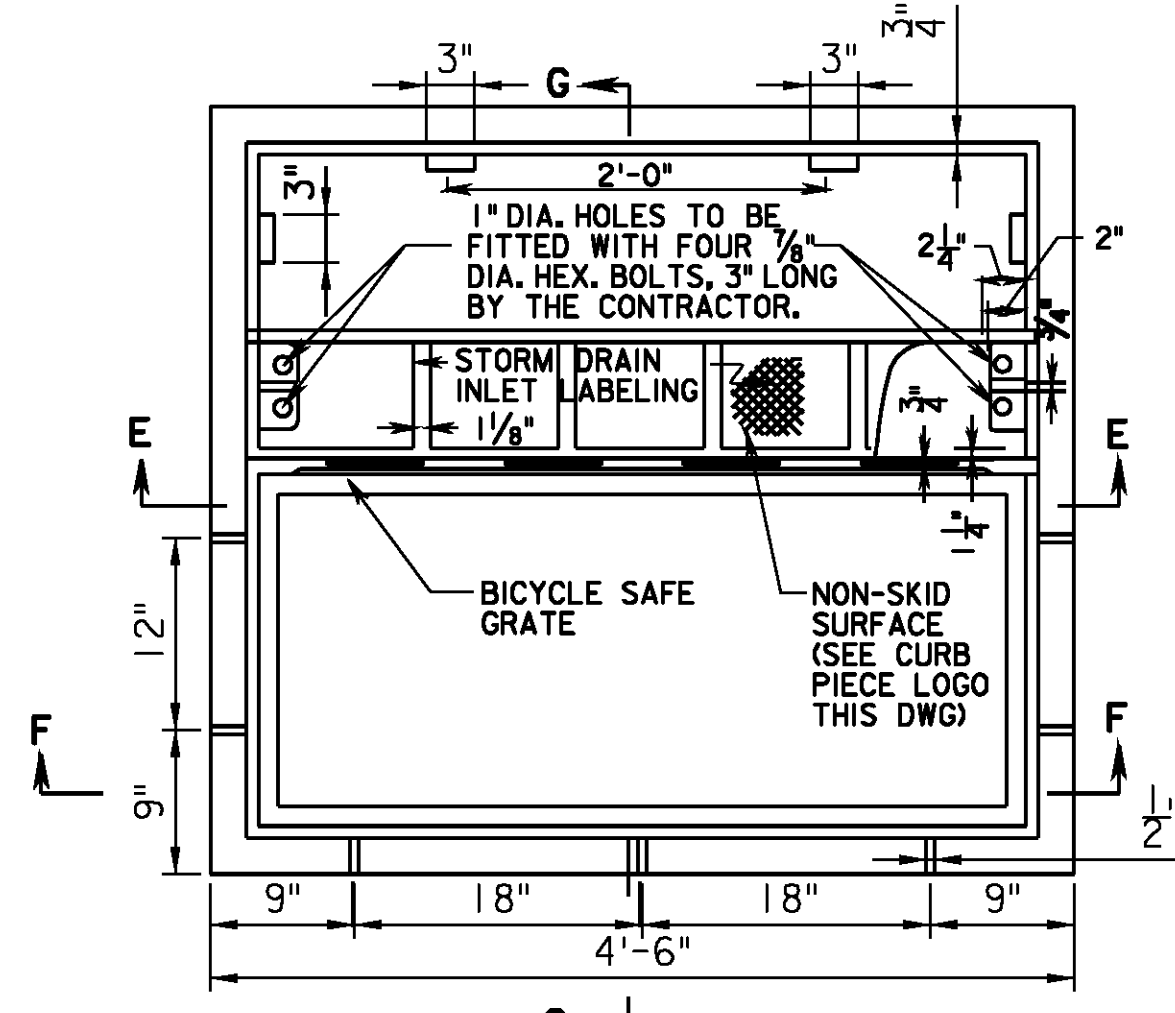
SECTION H-H **SECTION I-I**

MIN. WEIGHT 325 LBS.

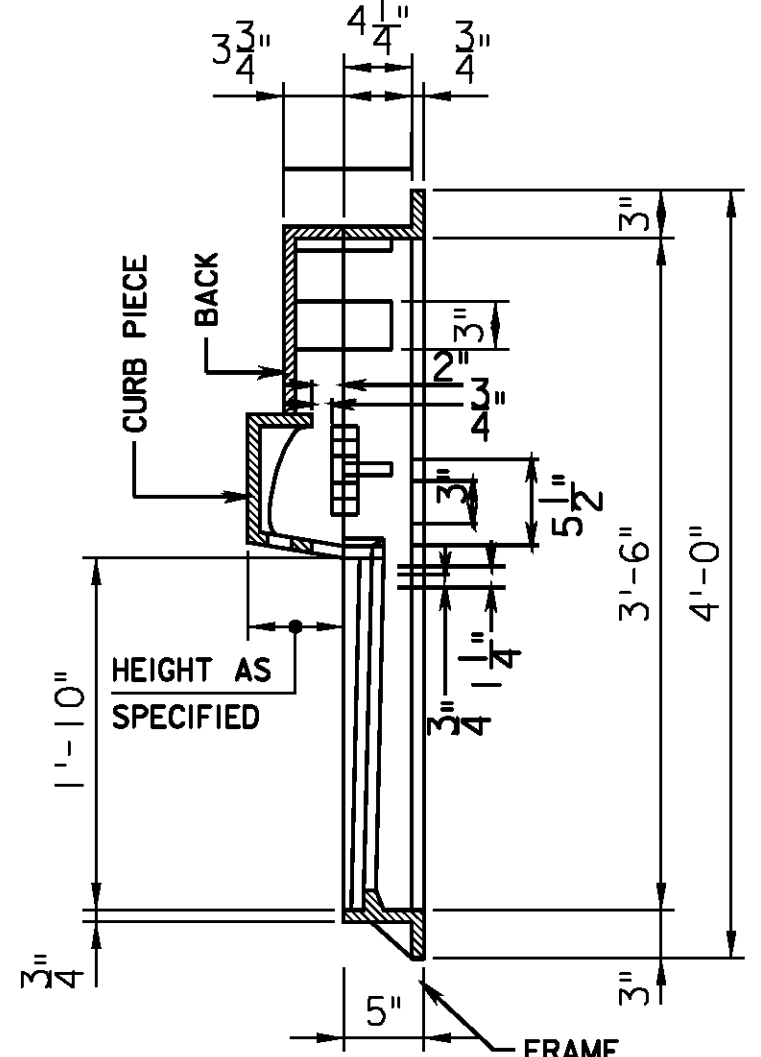


SECTION J-J

BICYCLE SAFE GRATES
(CAST IRON)



SECTION E-E

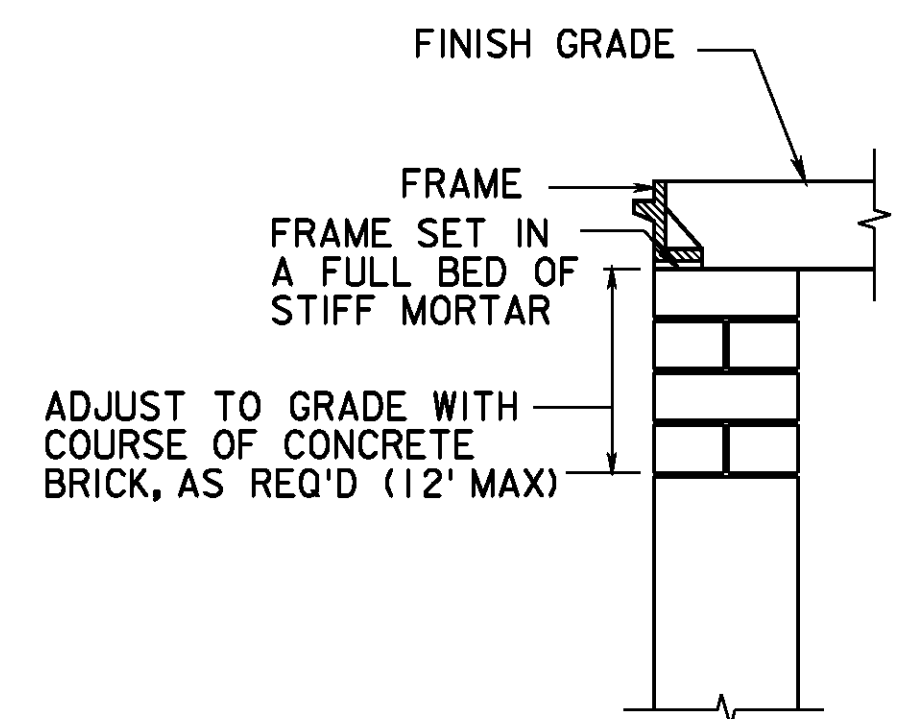


SECTION G-G

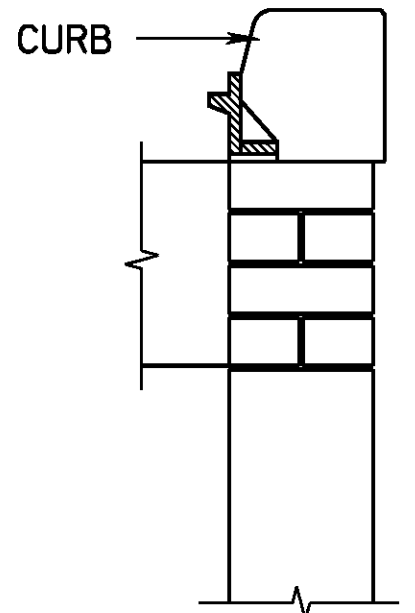
4" (NO CURB OPENINGS), MINIMUM WEIGHTS
WEIGHT OF GRATE = 325*
WEIGHT OF FRAME = 312*
WEIGHT OF BACK = 120*
6" CURB PIECE WEIGHT = 125*



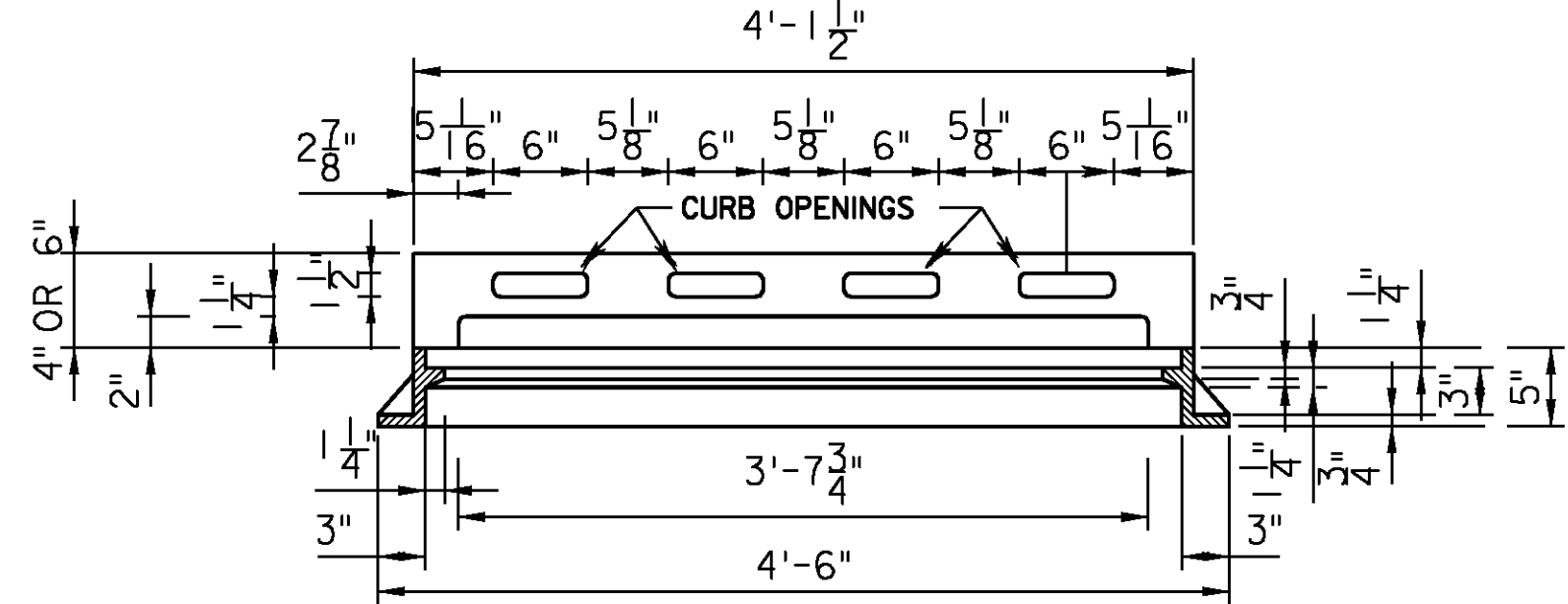
CURB PIECE LOGO



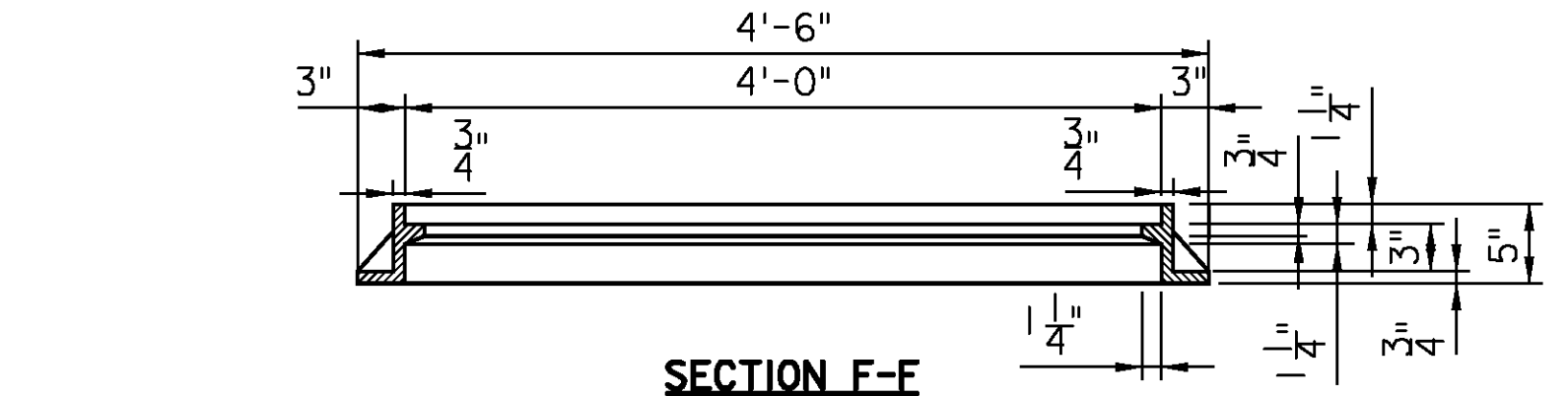
FRAME SETTING DETAIL



DETAIL AT CURB



SECTION E-E



SECTION F-F

FRAME AND GRATING - TYPE G3
(FOR USE WITH DROP INLET D3)

NOTES:

1. GRATE & FRAME SHALL BE GRAY CAST IRON CONFORMING TO ASTM A-48, CLASS 30B.
2. STORM DRAIN INLET LABEL SHOULD READ "NO DUMPING, DRAINS TO WATERWAY" OR OTHERWISE APPROVED BY THE ENGINEER. FISH LOGOS SHALL BE INCLUDED ON BOTH SIDES OF THE LABEL.
3. 4" HIGH CURB PIECE WITHOUT CURB OPENINGS, USED ON ALL PROJECTS UNLESS 6" IS SPECIFICALLY CALLED FOR.



ORIGINAL SIZE IN INCHES

App.	No.	DATE	REVISION
		04/09	ORIGINAL DRAWING

NEW JERSEY TURNPIKE AUTHORITY

CAST FRAME AND GRATING DETAILS

OFFICE OF THE CHIEF ENGINEER

2009 STANDARD
DRAWING

DR-2