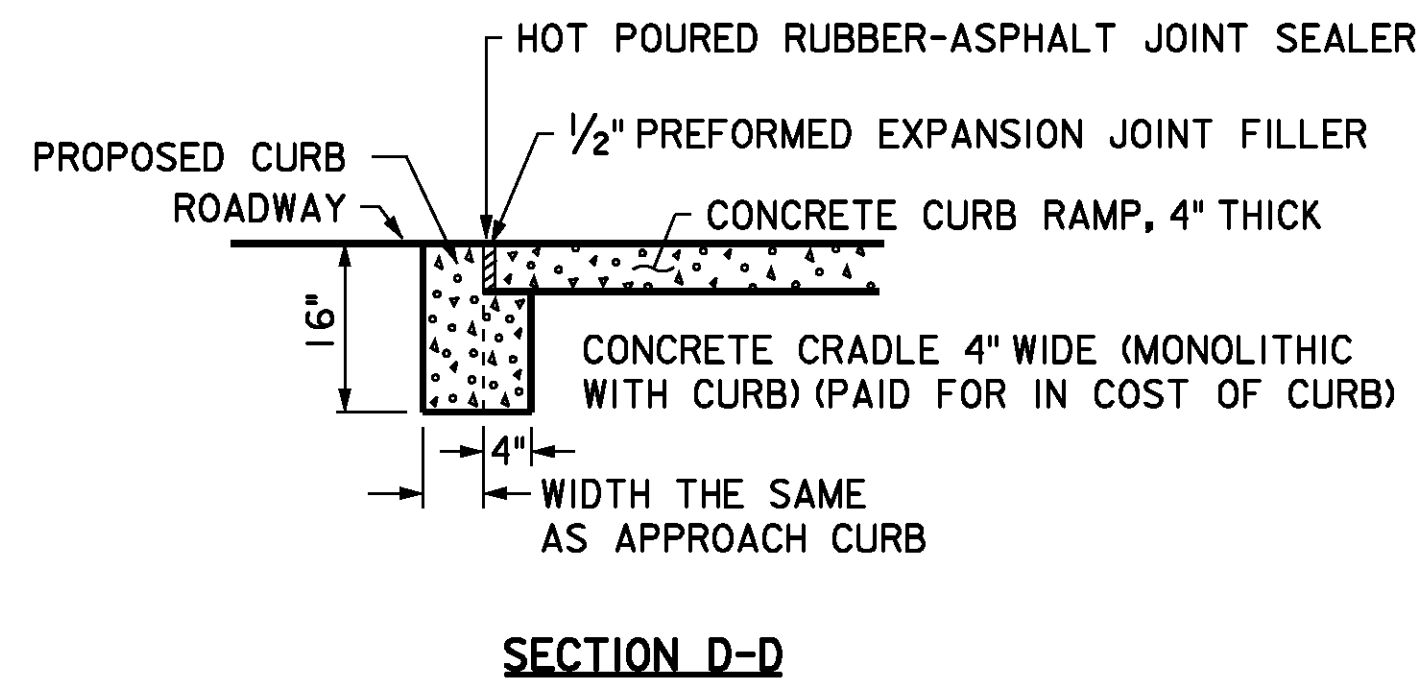
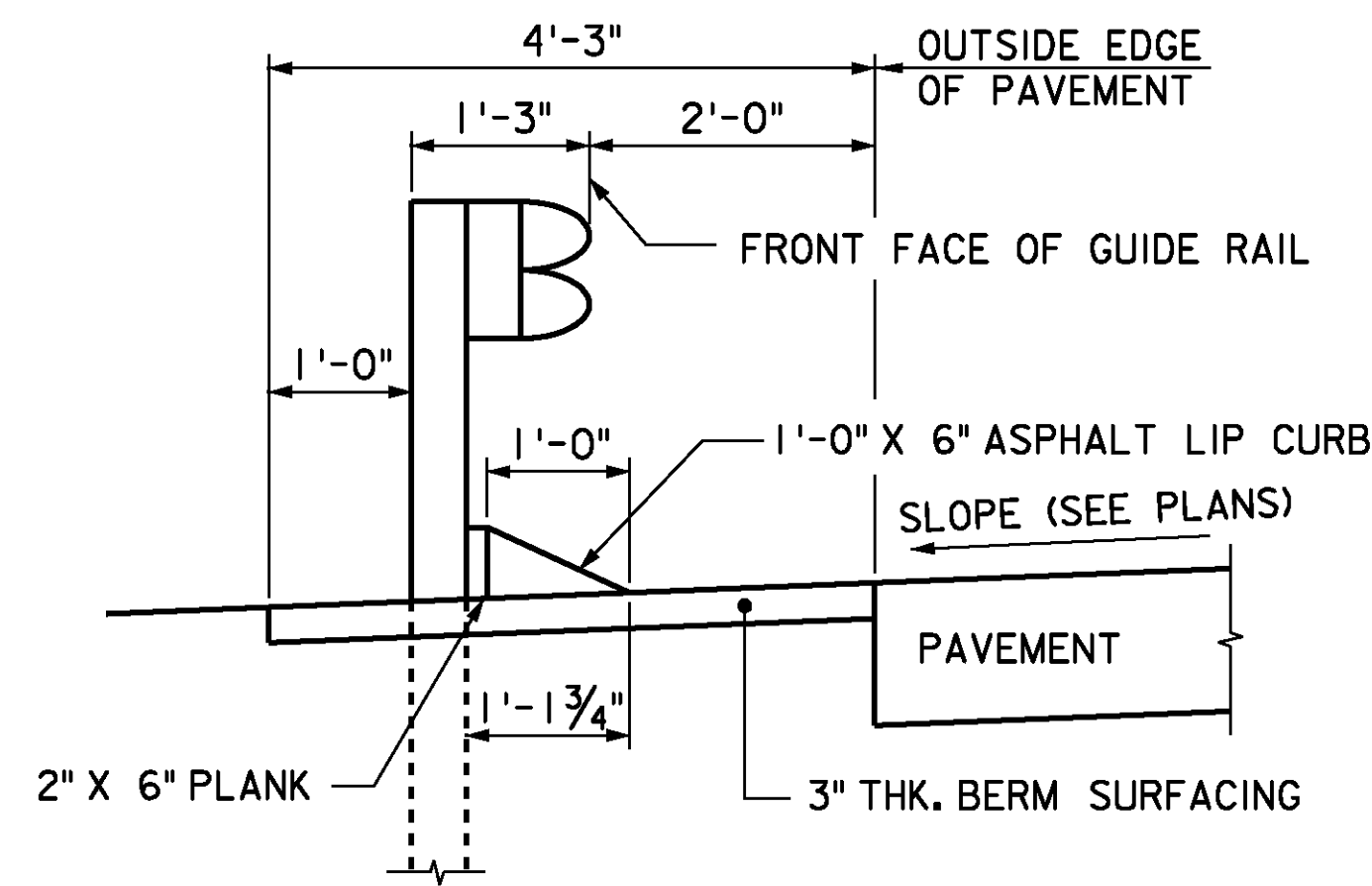


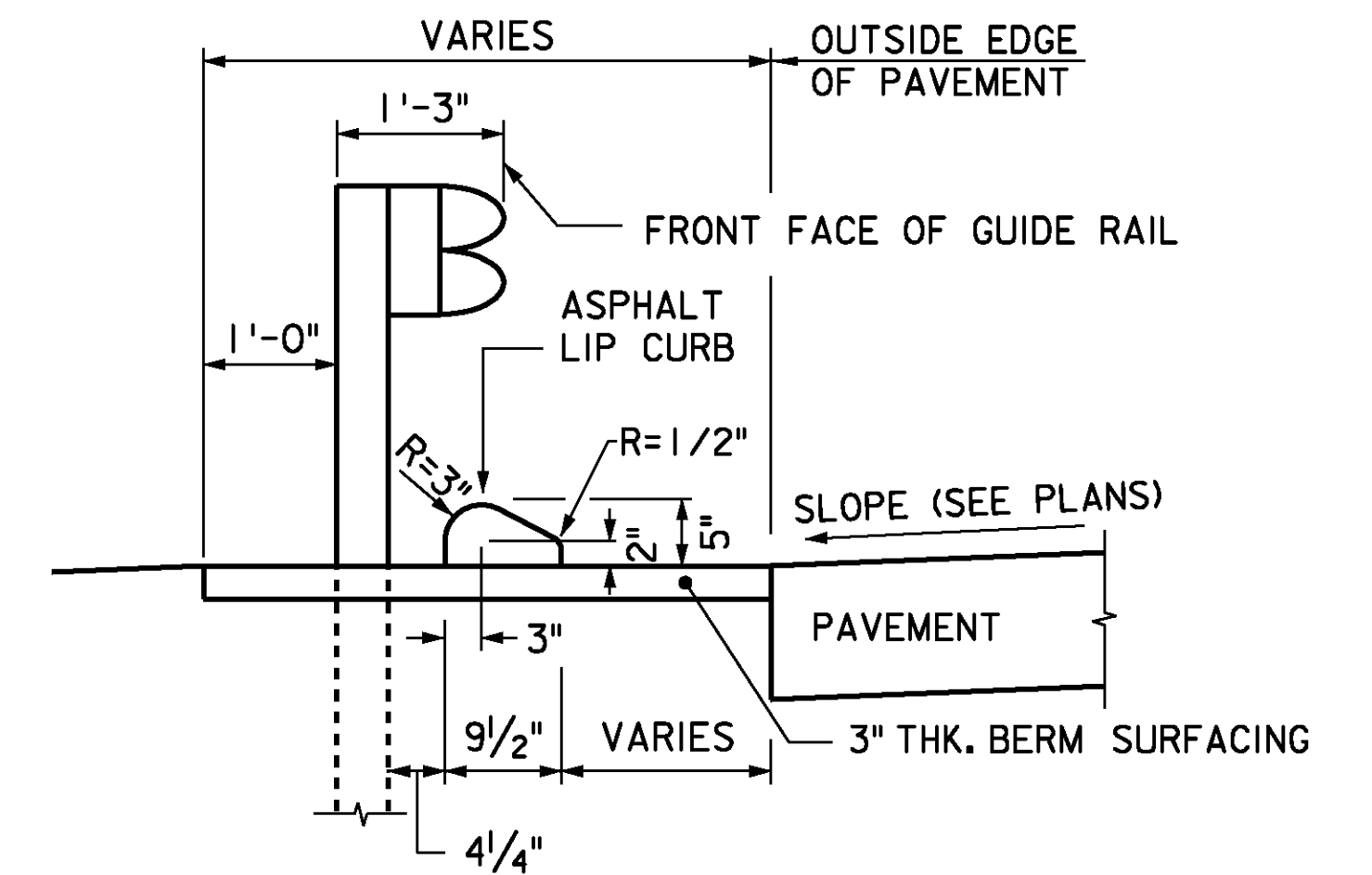
**CURB RAMP SURFACE**



**SECTION D-D**

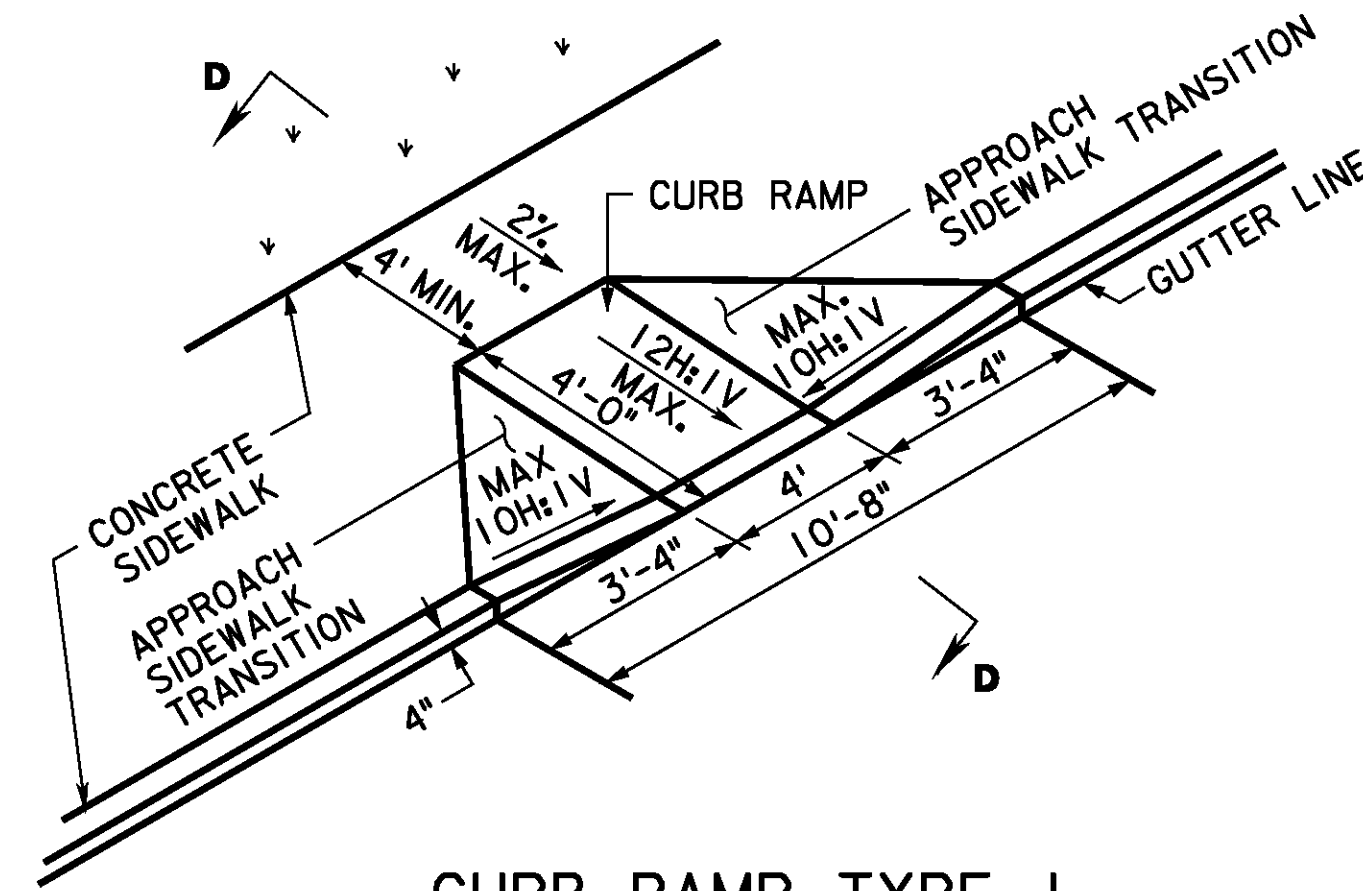


**HAND LAID DETAIL**

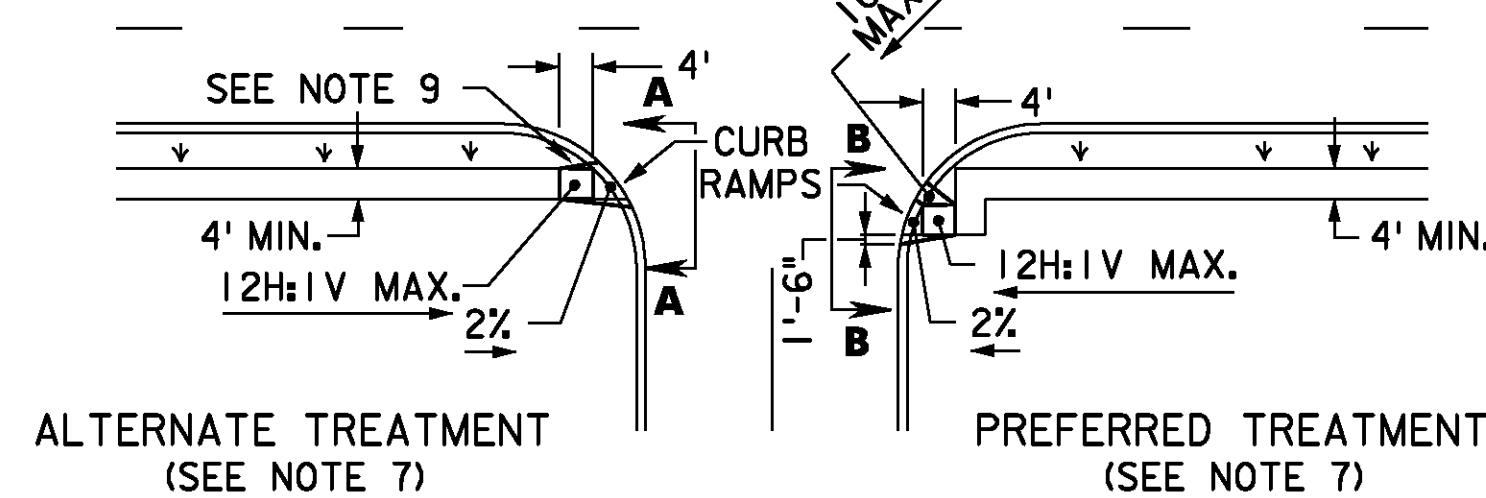


**MACHINE LAID DETAIL**

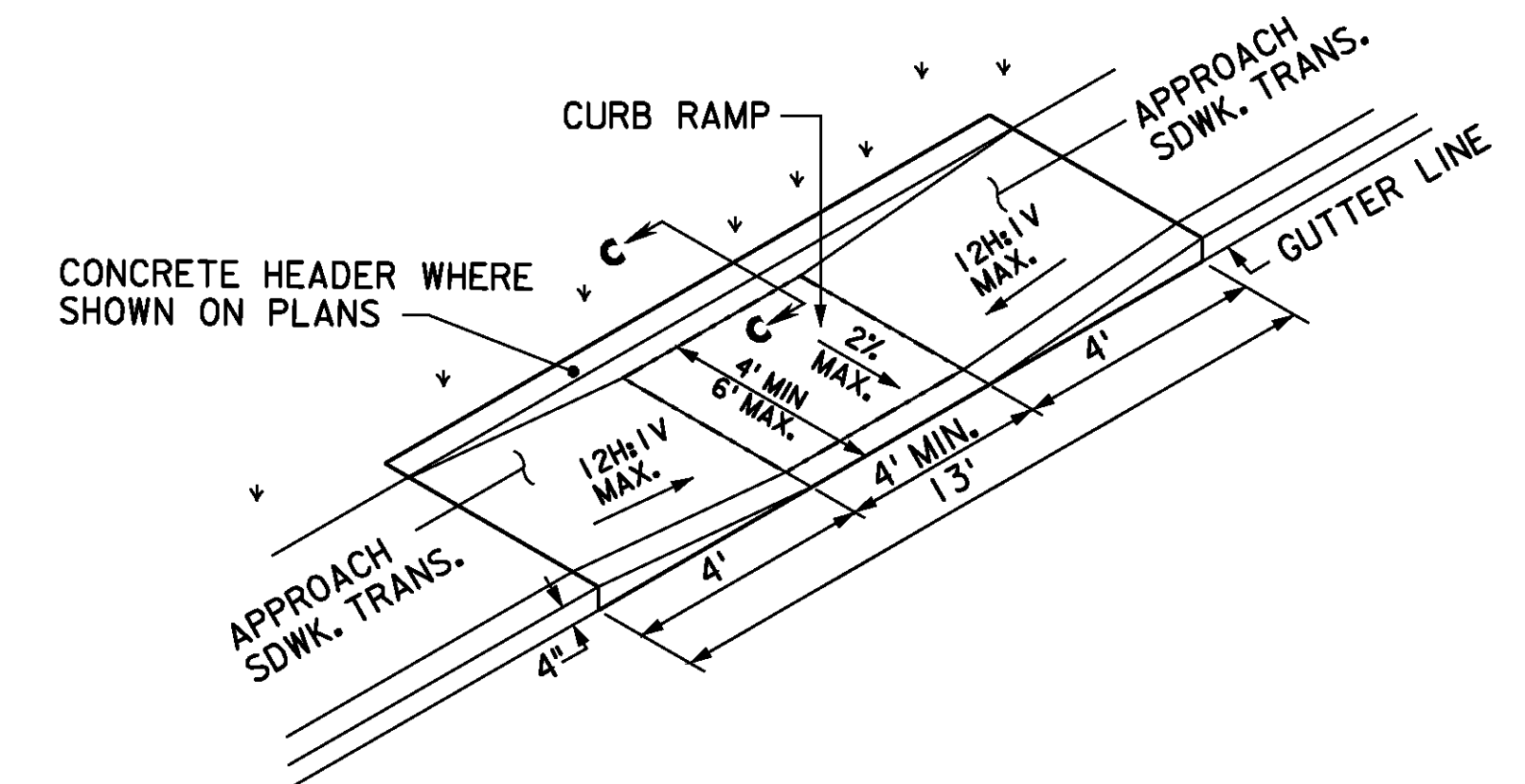
**ASPHALT LIP CURB CONSTRUCTION DETAILS**



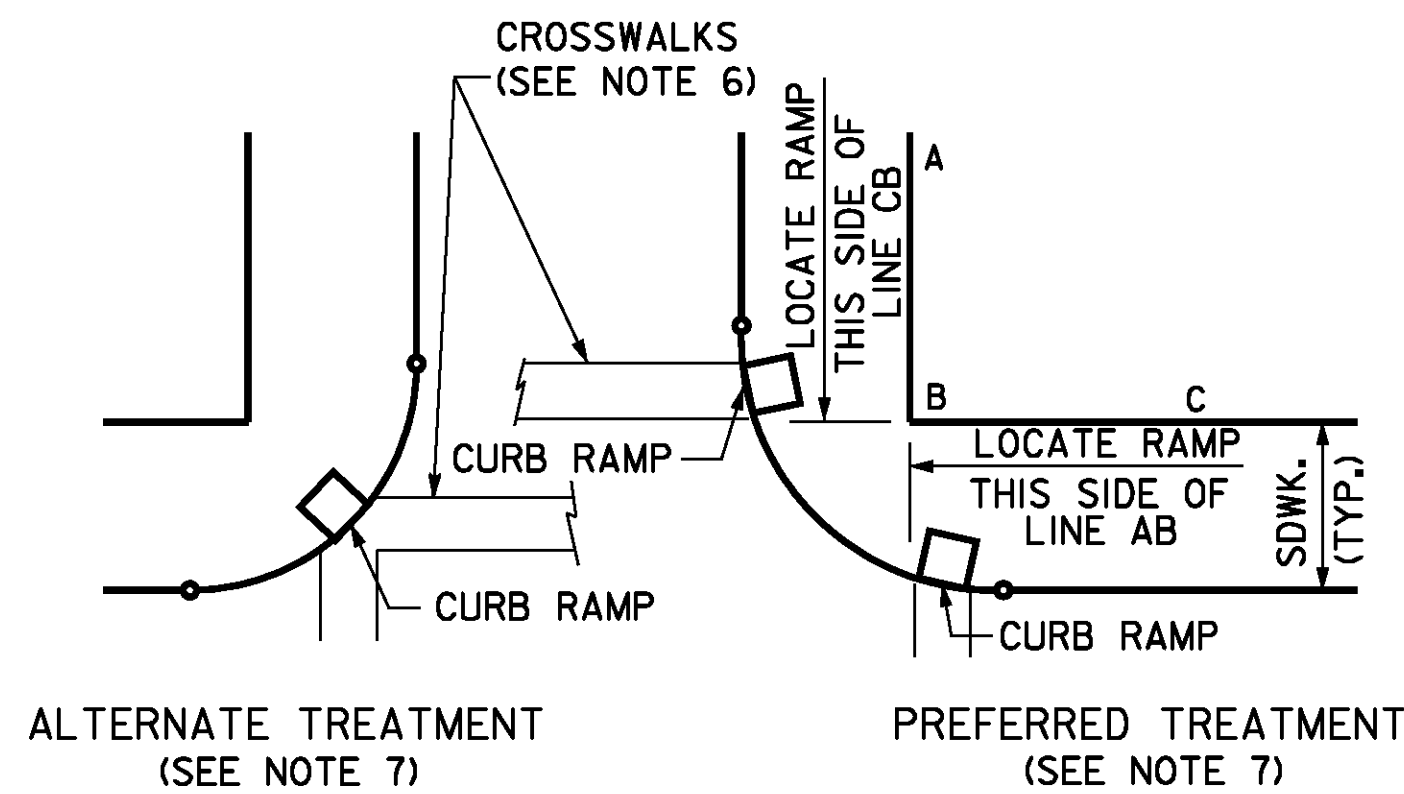
**CURB RAMP TYPE 1**



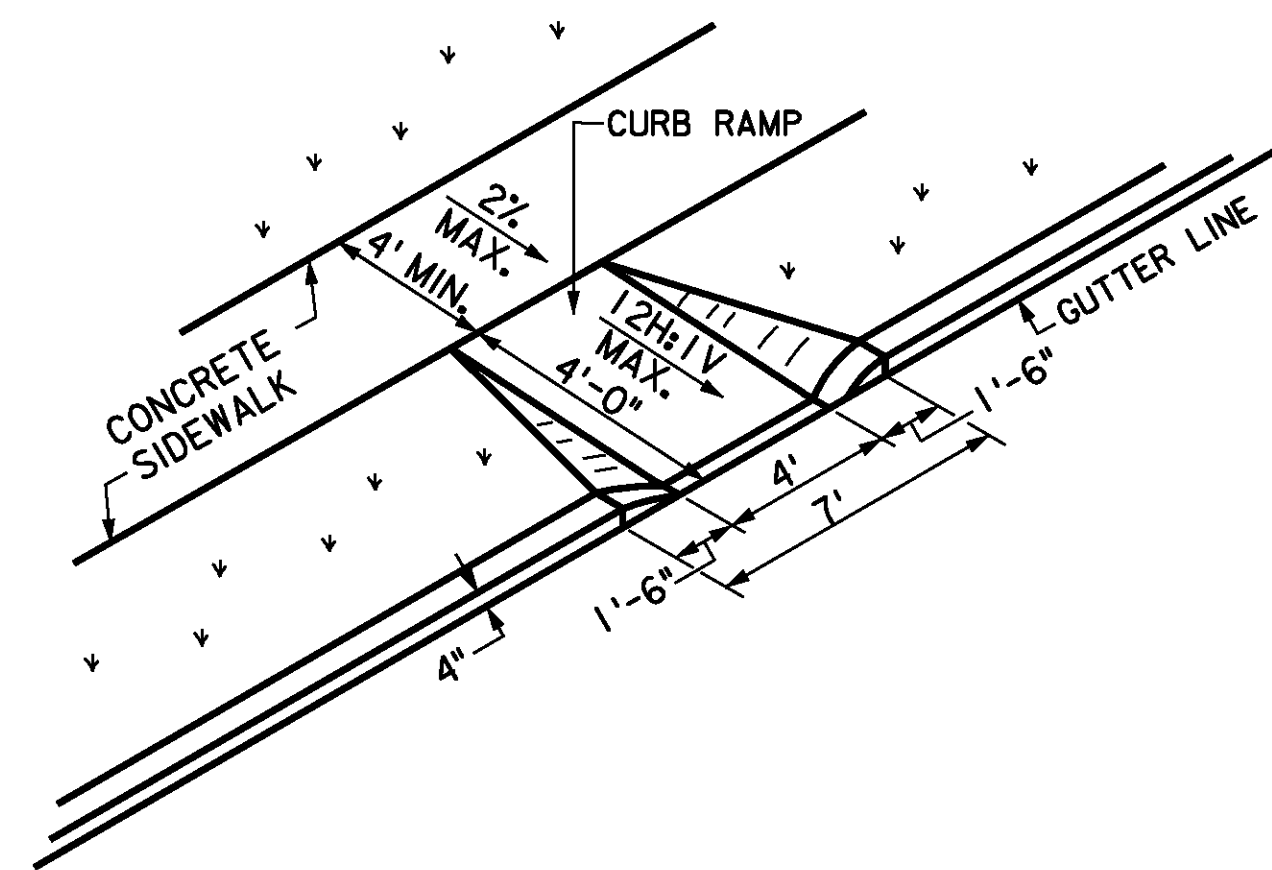
**CURB RAMP TYPE 3  
(CROSSING PARALLEL)**



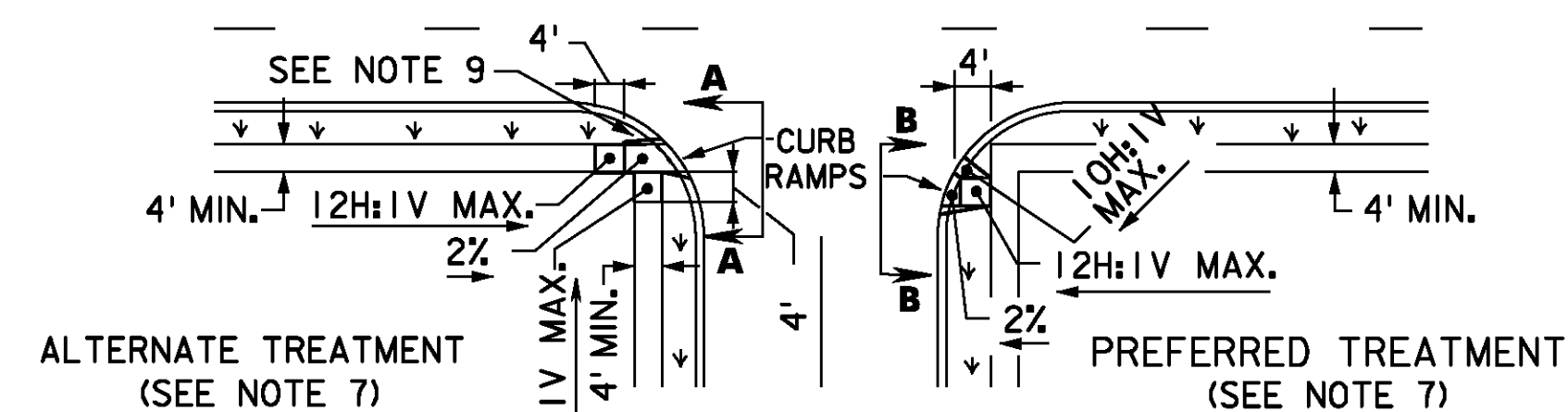
**CURB RAMP TYPE 5  
(SEE NOTE 8)**



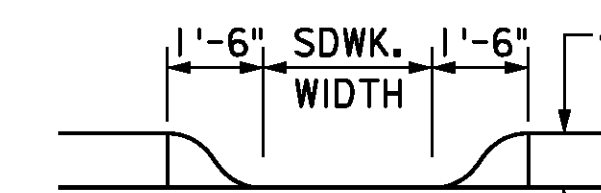
**LOCATION OF CURB RAMP TYPES 1, 2 & 5  
FOR PARALLEL AND PERPENDICULAR CROSSING**



**CURB RAMP TYPE 2  
(GRASS BUFFER STRIP)**



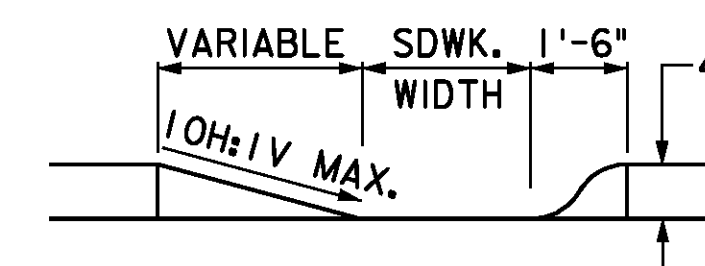
**CURB RAMP TYPE 4  
(CROSSING PARALLEL)**



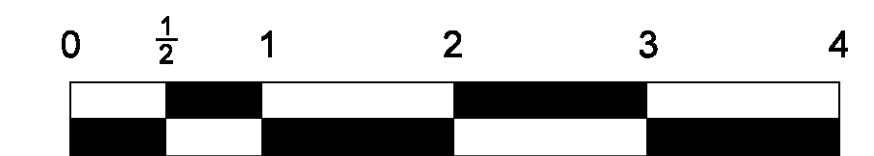
**SECTION A-A**

**NOTE:**

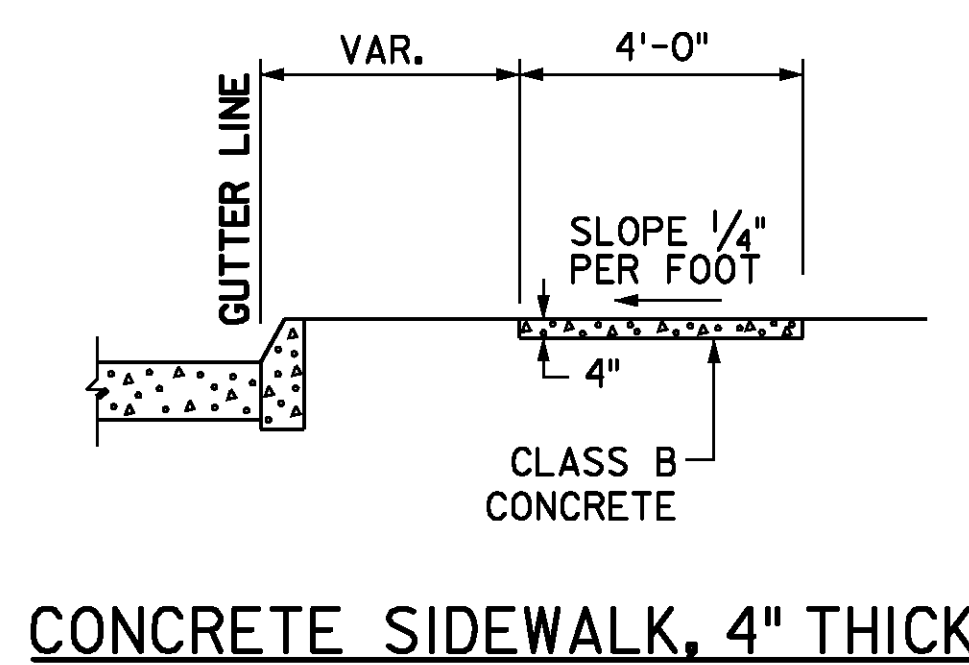
CURB RAMP OPENING TO BE FLUSH WITH ROADWAY PAVEMENT (CURB RAMP TYPES 3 & 4).



**SECTION B-B**



**ORIGINAL SIZE IN INCHES**



**CONCRETE SIDEWALK, 4" THICK**

**NOTES:**

1. LANDING AREA, APPROACH SIDEWALK TRANSITIONS, AND CURB RAMP SHALL BE KEPT CLEAR OF OBSTRUCTIONS.
2. CURB (DROPPED CURB) GUTTERLINE TO BE FLUSH WITH PAVEMENT A MINIMUM OF 4 FEET AT ALL CURB RAMP.
3. SIDEWALK AND CURB RAMP WITHIN AREA ENCLOSED BY HEAVY LINES TO BE PAID FOR AS CONCRETE SIDEWALK OF THE APPROPRIATE ADJACENT THICKNESS.
4. CURB AND HEADER WITHIN AREA ENCLOSED BY HEAVY LINES TO BE PAID FOR AS VERTICAL CURB OR SLOPING CURB OF THE APPROPRIATE ADJACENT SIZE AND KIND.
5. 2" x 6" PLANK USED IN ASPHALT LIP CURB IN ACCORDANCE WITH NJTA SPECIFICATION 910.06.
6. CROSSWALKS AND STOP LINES MAY BE MARKED OR UNMARKED, SEE PLANS.
7. PREFERRED AND ALTERNATE TREATMENTS SHOULD NOT BE INTERMIXED WITHIN THE SAME INTERSECTION.
8. WHERE THE DISTANCE FROM THE GUTTER LINE TO THE OUTSIDE EDGE OF SIDEWALK IS 6 FEET OR LESS, CURB RAMP TYPE 5 SHOULD BE USED, INSTEAD OF CURB RAMP TYPE 1 AND 2.
9. FOR CURB RAMP TYPES 3 AND 4, IF A GRASS BUFFER DOES NOT EXIST, SLOPE CURB TO EQUAL SLOPE OF ADJACENT CURB RAMP.

App.	No.	DATE	REVISION
		04/09	ORIGINAL DRAWING

NEW JERSEY TURNPIKE AUTHORITY

**CONCRETE SIDEWALK, CURB RAMP,  
AND ASPHALT LIP CURB DETAILS**

OFFICE OF THE CHIEF ENGINEER      2009 STANDARD  
DRAWING

CU-2