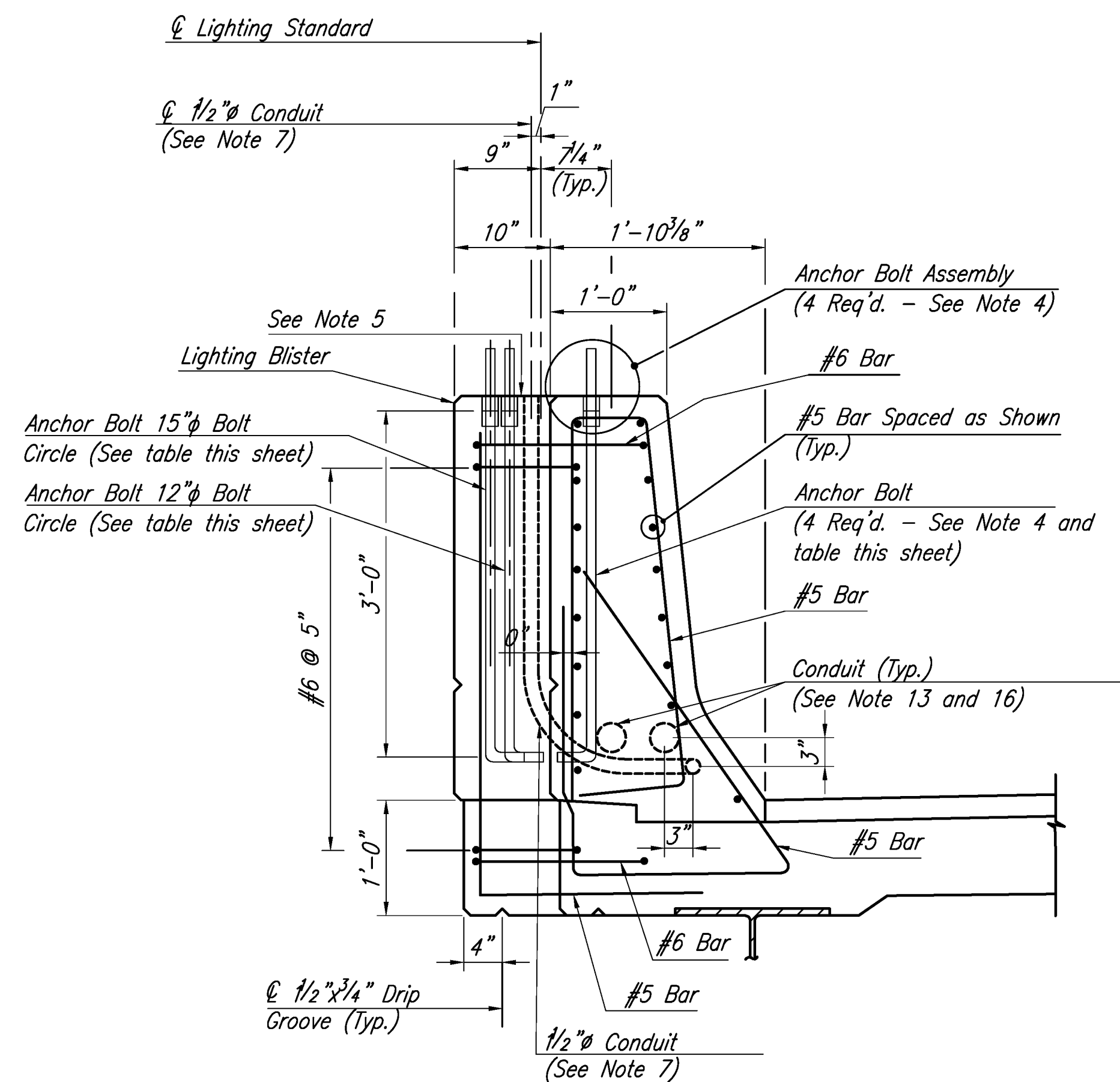
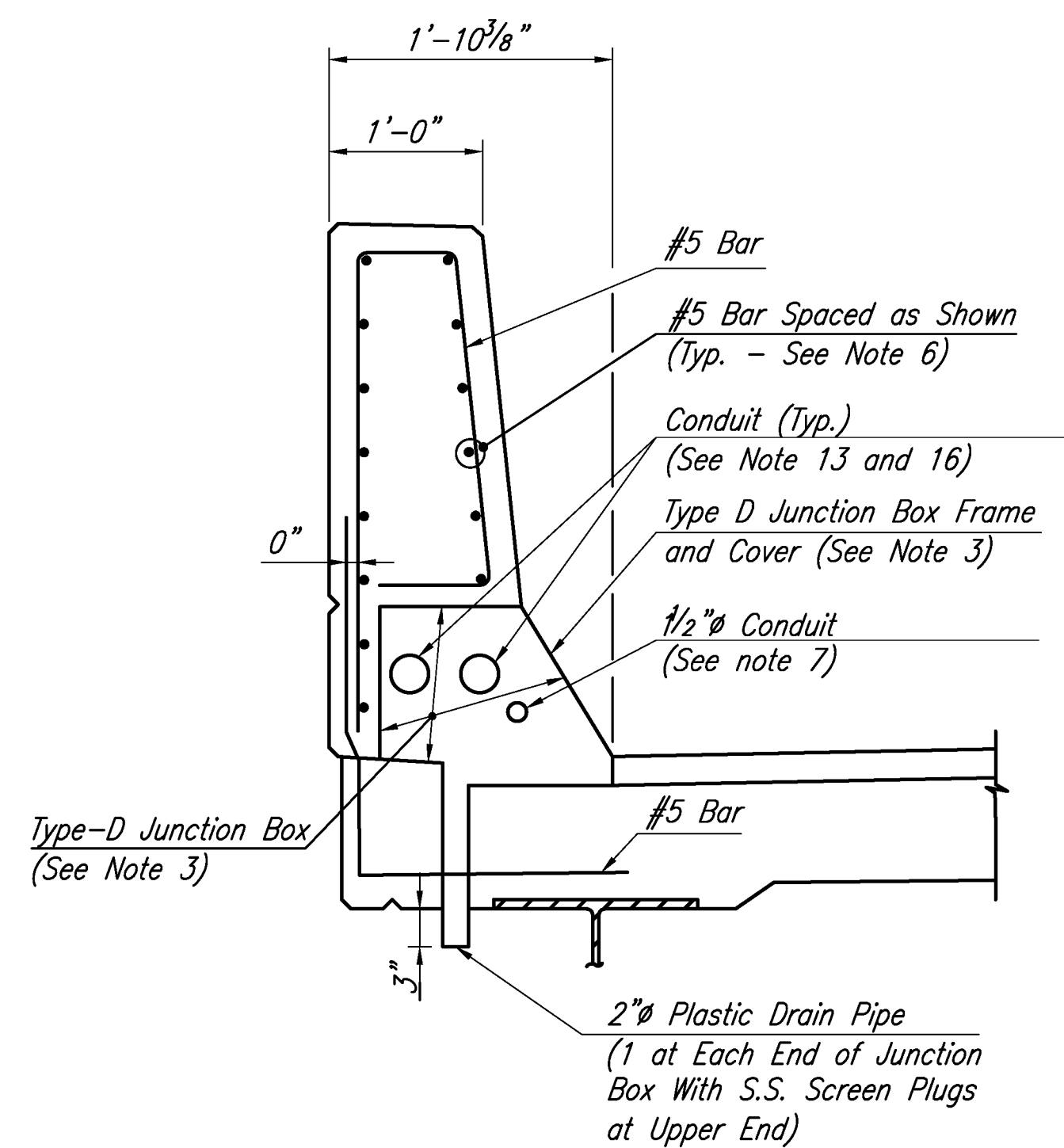


**LIGHTING BLISTER - PLAN**

(See Note 8)  
Scale: 1" = 1'-0"



**SECTION A-A**  
Scale: 1" = 1'-0"



**SECTION B-B**  
Scale: 1" = 1'-0"

NOTE: Two course deck construction is shown. One course construction is similar.

**NOTES**

- For lighting standard and junction box locations, see the Contract Plans.
- For typical barrier parapet reinforcement, dimensions and details not shown, see Standard Drawing BR-7.
- For Type-D junction box frame and cover details see Standard Drawing E-14.
- For anchor bolt assembly details, see Standard Drawing E-11, Details A and B.
- Top of barrier parapet shall be finished to a true level plane surface beneath the lighting standard.
- Maintain 2" reinforcement clearance at junction box.
- Conduit between Type D junction boxes and lighting blisters shall be rigid metallic. 1 1/2" rigid metallic conduit shall have a minimum bend radius of 10'.
- Detail shown is not applicable for a parapet panel length ("L") less than 12'-6".
- Shop drawings are required for reinforcement.
- Lighting standard offsets measured to centerline parapet pier expansion joint, centerline pier or 1/4" parapet expansion joint.
- All light standards shall be directly mounted to lighting blisters using light pole shoe bases and not with the use of transformer bases.
- Lighting standard not shown. For details see the Contract Plans and applicable Electrical Standard Drawings. Provide 1/8" thick neoprene pad between lighting standard and parapet.
- Conduits may be stacked and transitioned to meet the position shown in Section B-B at the junction box interface.
- See Standard Drawing E-09 for bolting details of lighting standard to parapet.
- The Contractor shall coordinate the location of bridge mounted lighting standards, lighting blisters, and Type D junction boxes with the Contract Plans.
- Conduit in parapet shall be of the type and size as shown on the Contract Plans.
- For details on expansion joints and fittings for conduit in parapet see Standard Drawing E-24.

**ANCHOR BOLTS AND BOLT CIRCLES**

Lighting Standard*	Bolt Ø	Bolt thickness
Type 3	12"	1"
Type 4	12"	1"
Type 9	15"	1 1/4"
Type 10	15"	1 1/4"
Type L-**	12"	1"

\* For non-standard types see Contract Plans  
\*\* Any L type standard

If you use this Standard Drawing:	
You also need	BR-7, E-09, E-11, E-14, and E-24
You may need	E-01, ER-01



App. No.	DATE	REVISION
2	4/2010	CONDUIT CALLOUTS MODIFIED
1	6/2009	MODIFIED NOTES, ADDED 12" BOLT CIRCLE AND TABLE

NEW JERSEY TURNPIKE AUTHORITY  
**NEW JERSEY TURNPIKE**

**PARAPET LIGHTING BLISTER AND TYPE D JUNCTION BOX DETAILS**

OFFICE OF THE CHIEF ENGINEER  
WOODBRIIDGE, NEW JERSEY

**2004 STANDARD DRAWING BR-15**