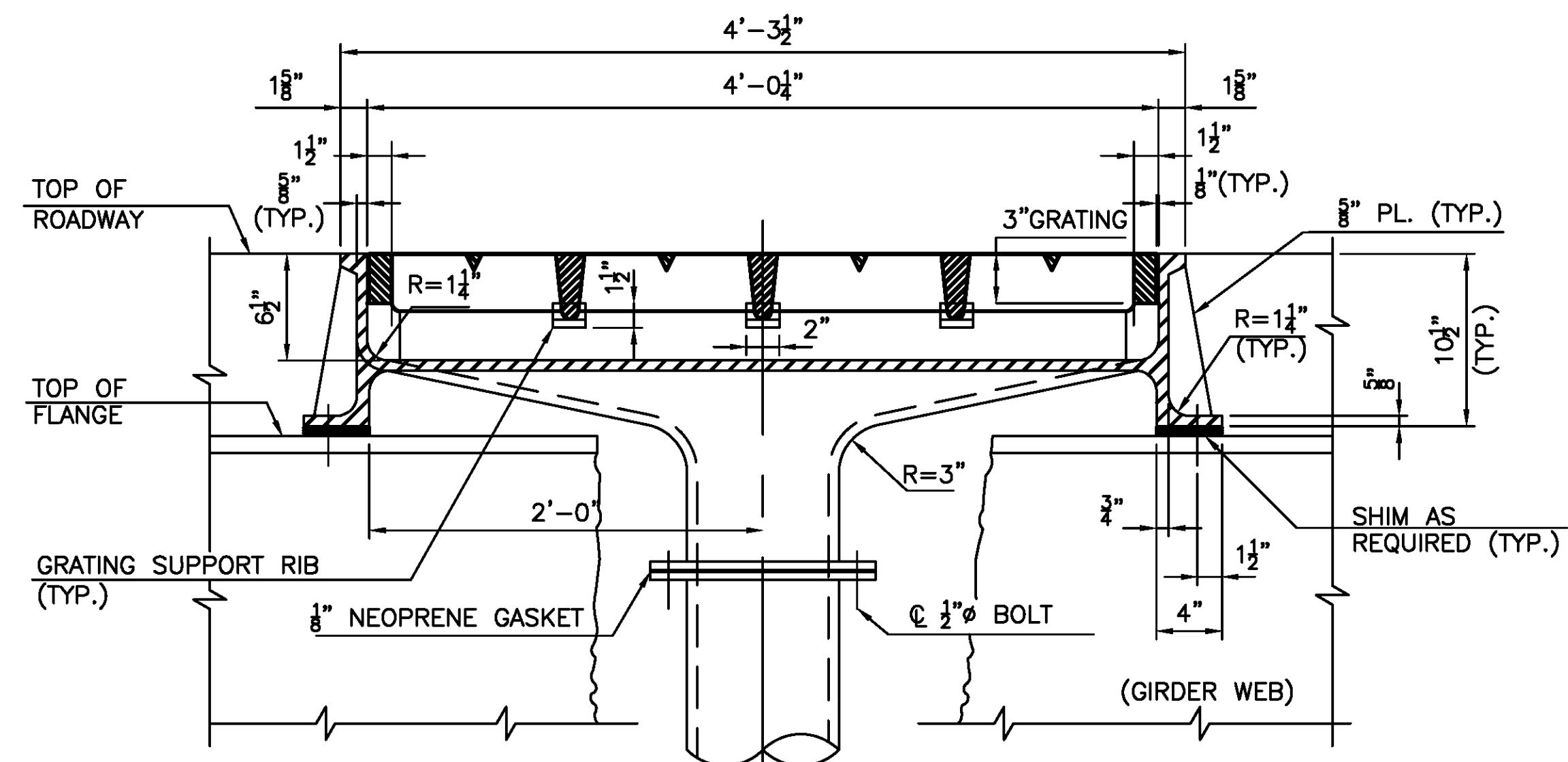
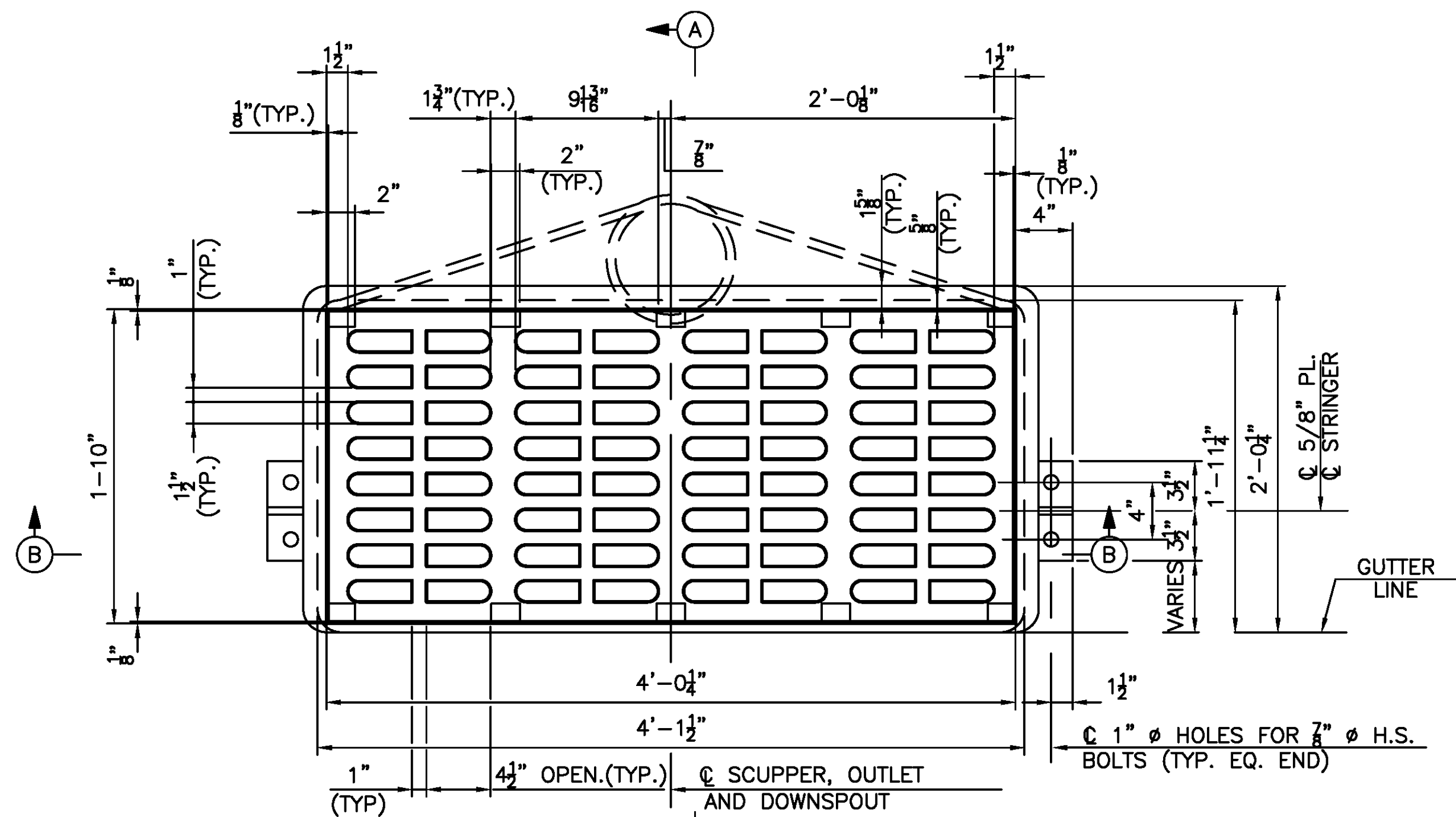


**SECTION A-A**  
1/2"=1'-0"



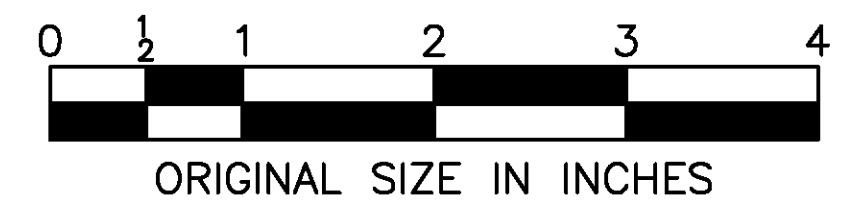
**SECTION B-B**  
1/2"=1'-0"



**PLAN**  
1/2"=1'-0"

**NOTES:**

1. THE GRATE DIMENSIONS ARE THE SAME AS SHOWN ON BR-2A.
2. FOR ADD'L. NOTES SEE STD. DWG. BR-2A.
3. FOR DETAILS NOT SHOWN SEE STD. DWG. BR-2A.
4. THIS DETAIL SHALL BE USED IN LIEU OF DETAILS ON STANDARD DRAWING BR-2A ONLY WITH APPROVAL OF THE ENGINEER.



**NEW JERSEY TURNPIKE AUTHORITY  
NEW JERSEY TURNPIKE**

**BRIDGE DRAINAGE DETAILS - II**

App. No.	DATE	REVISION
1	6/07	REVISED; GRATE TO CONFORM TO NJDEP CRITERIA
	2/05	REISSUED; CONFORMS TO 2004 SPECS

OFFICE OF THE CHIEF ENGINEER  
WOODBIDGE, NEW JERSEY

2004 STANDARD DRAWINGS  
**BR-2B**

CONTRACT NO.

SHEET NO.

OF