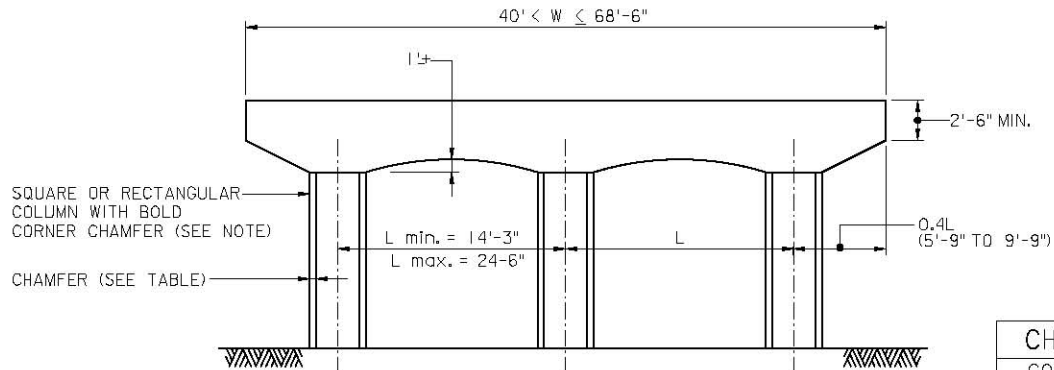


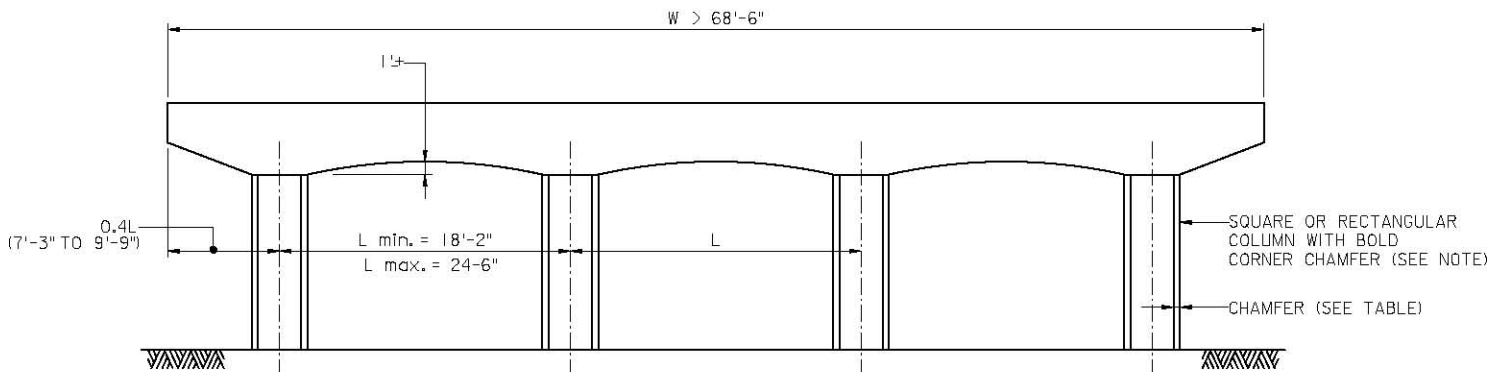
WITHOUT CANTILEVERS

NOTE:

APPLICABLE TO SINGLE COLUMN PIERS AND SINGLE COLUMNS USED TO SUPPORT BOX GIRDERS.



CHAMFER TABLE	
COLUMN DIMENSION	CHAMFER SIZE
3'-0"	6"
3'-6"	7"
4'-0"	8"



WITH CANTILEVERS

TURNPIKE PIER DETAIL GUIDELINES

NTS